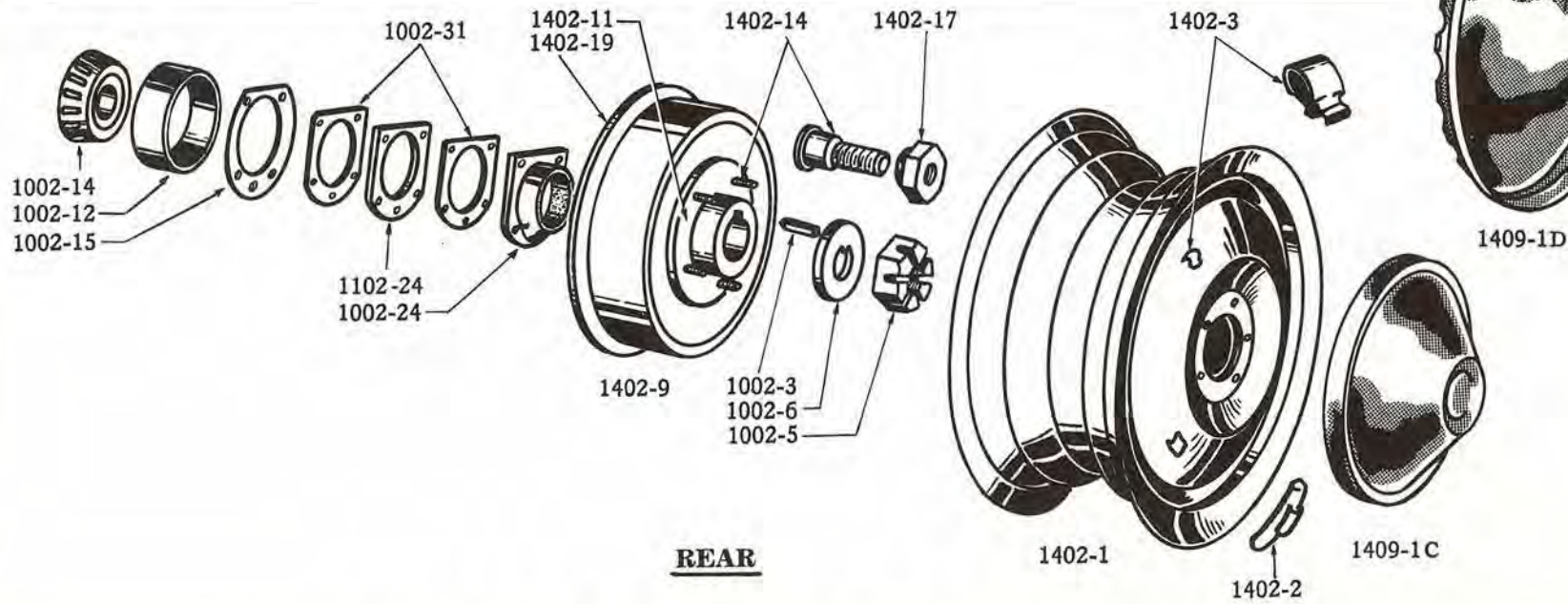


FRONT



REAR

**WHEELS, HUBS, DRUMS, CAPS, BEARINGS, ETC.**

**WHEELS**

**Plate 14-1**

1402

## WHEELS

ILLUST. NUMBER	PART NUMBER	CHANGE ✓	DESCRIPTION	MODELS	PER CAR
<b>1402- WHEELS, HUBS AND DRUMS (Plate 14-1)</b>					
1402-1	529132		WHEEL, LESS TRIM RING - PRIME. . . . .	10G, 12G, 14G, H, 3H, 4H	5
			WHEEL SIZE . . . . . 15X5.00K		
1402-2	190983		WEIGHT, WHEEL BALANCE - 1 OZ. . . . .	10G, 12G, 14G, H, 3H, 4H	*
1402-2	190984		WEIGHT, WHEEL BALANCE - 2 OZ. . . . .	10G, 12G, 14G, H, 3H, 4H	*
1402-2	190985		WEIGHT, WHEEL BALANCE - 3 OZ. . . . .	10G, 12G, 14G, H, 3H, 4H	*
1402-3	526646		SPRING, HUB COVER RETAINING. . . . .	10G, 12G, 14G, H, 3H, 4H	15
	AC-1401		RING, WHEEL TRIM - STAINLESS STEEL . . . . .	10G, 12G, 14G, H, 3H, 4H	5
<b>HUBS AND DRUMS</b>					
Front - includes bearing cups and studs Rear - includes studs					
1402-5	529120		HUB AND DRUM, RIGHT FRONT WHEEL. . . . .	10G, 12G, 14G . . . . .	1
	529121		HUB AND DRUM, LEFT FRONT WHEEL . . . . .	10G, 12G, 14G . . . . .	1
1402-5	529118		HUB AND DRUM, RIGHT FRONT WHEEL. . . . .	H, 3H, 4H . . . . .	1
	529119		HUB AND DRUM, LEFT FRONT WHEEL . . . . .	H, 3H, 4H. . . . .	1
1402-7	529117		HUB AND CAPS, FRONT WHEEL. . . . .	10G, 12G, 14G, H, 3H, 4H	2
1402-9	529028		HUB AND DRUM, RIGHT REAR WHEEL . . . . .	10G, 12G, 14G, H, 3H, 4H	1
	529029		HUB AND DRUM, LEFT REAR WHEEL. . . . .	10G, 12G, 14G, H, 3H, 4H	1
1402-11	529036		HUB ONLY, REAR WHEEL . . . . .	10G, 12G, 14G, H, 3H, 4H	2
1402-14	196930		STUD, RIGHT WHEEL HUB. . . . .	10G, 12G, 14G, H, 3H, 4H	10
	196931		STUD, LEFT WHEEL HUB . . . . .	10G, 12G, 14G, H, 3H, 4H	10
1402-17	196308		NUT, RIGHT HUB STUD 1/2"-20. . . . .	10G, 12G, 14G, H, 3H, 4H	10
	196309		NUT, LEFT HUB STUD 1/2"-20 . . . . .	10G, 12G, 14G, H, 3H, 4H	10
1402-19	529224		DRUM, WHEEL BRAKE. . . . .	10G, 12G, 14G . . . . .	4
1402-19	529223		DRUM, FRONT WHEEL BRAKE. . . . .	H, 3H, 4H . . . . .	2
1402-19	529224		DRUM, REAR WHEEL BRAKE . . . . .	H, 3H, 4H . . . . .	2
1402-20	529085		CATCHER, FRONT BRAKE DRUM OIL. . . . .	10G, 12G, 14G, H, 3H, 4H	2
<b>1407- FRONT WHEEL BEARINGS, NUTS, ETC. (Plate 14-1)</b>					
1407-1	677309		CUP, INNER, BEARING. . . . .	10G, 12G, 14G, H, 3H, 4H	2
1407-2	677310		CUP, OUTER, BEARING. . . . .	10G, 12G, 14G, H, 3H, 4H	2
1407-3	677308		CONE AND ROLLERS, INNER, BEARING . . . . .	10G, 12G, 14G, H, 3H, 4H	2
1407-4	677311		CONE AND ROLLERS, OUTER, BEARING . . . . .	10G, 12G, 14G, H, 3H, 4H	2
1407-5	130986		WASHER, BEARING NUT LOCK 25/32". . . . .	10G, 12G, 14G, H, 3H, 4H	2
1407-6	510292		NUT, BEARING LOCK 3/4"-16. . . . .	10G, 12G, 14G, H, 3H, 4H	2
	----		COTTER, 1/8"X1 1/4" . . . . .	10G, 12G, 14G, H, 3H, 4H	2
<b>1408- FRONT WHEEL GREASE WASHERS (Plate 14-1)</b>					
1408-1	677314		WASHER AND RETAINER, FRONT WHEEL FELT. . . . .	10G, 12G, 14G, H, 3H, 4H	2
1408-2	677315		WASHER, FRONT WHEEL FELT (PART OF 677314). . . . .	10G, 12G, 14G, H, 3H, 4H	2

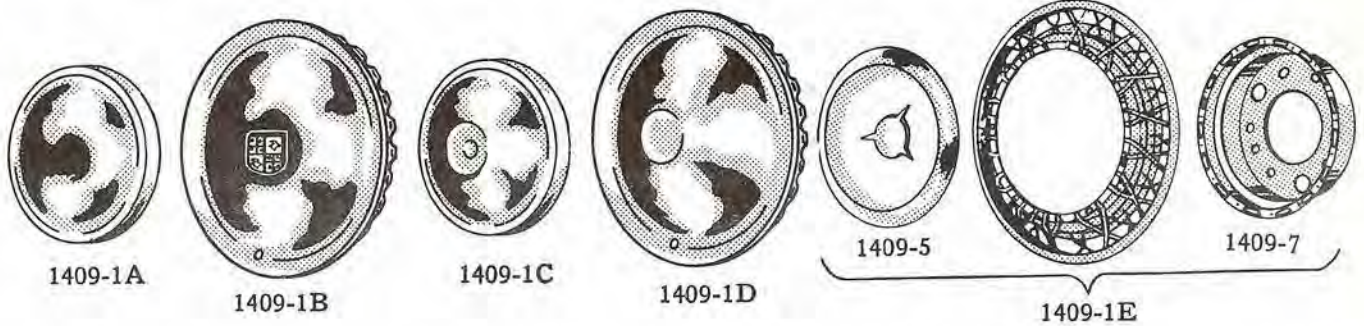
NOTE { \* - USE AS REQUIRED.

# WHEELS

1413

ILLUST. NUMBER	PART NUMBER	CHANGE	DESCRIPTION	MODELS	PER CAR
----------------	-------------	--------	-------------	--------	---------

## 1409- WHEEL HUB COVERS OR CAPS (Plate 14-1)



1409-1A	529376	CAP, HUB (U.S.A.)	10G, 12G, H, 3H.	4
1409-1A	527858	CAP, HUB (CANADA)	10G, 12G, H, 3H.	4
1409-1C	532324	CAP, HUB.	14G, 4H.	4
1409-1B	AC-2118	CAP AND DISC, HUB (CHROME).	10G, 12G, 14G, H, 3H, 4H	4
1409-1D	AC-2314	CAP AND DISC, HUB (CHROME).	14G, 4H.	4
1409-1E	AC-2425	CAP AND DISC, HUB (WIRE WHEEL).	14G, 4H.	4
	AC-1994	DISC, WHEEL TRIM (CANADA)	10G, 12G, 14G, H, 3H, 4H	4
1409-2	188102	CAP, FRONT WHEEL HUB GREASE	10G, 12G, 14G, H, 3H, 4H	2
1409-5	534084	COVER, HUB (INCL. IN AC-2425)	14G, 4H.	4
1409-7	534515	RETAINER, CAP AND DISC (INCL. IN AC-2425)	14G, 4H.	4
	83-0410	BOLT, TO DISC.	14G, 4H.	12
	1542X28	SPEED NUT	14G, 4H.	12

## 1413- REAR COMPARTMENT WHEEL CARRIER

	293807	CLAMP, SPARE WHEEL (LUG TYPE)	10G, 12G, H, 3H.	1
	293807	CLAMP, SPARE WHEEL (LUG TYPE) W-F-Y	14G, 4H.	1
	264388	CLAMP, SPARE WHEEL (DISC TYPE)	10G, 12G, H, 3H.	1
	264388	CLAMP, SPARE WHEEL (DISC TYPE) C-K.	14G, 4H.	1
		LENGTH		
1413-6	293804	BOLT, SPARE WHEEL HOLD DOWN "J" - 6 5/8"	10G, 12G	1
1413-6	293805	BOLT, SPARE WHEEL HOLD DOWN "J" - 7 1/4"	H, 3H.	1
1413-6	293804	BOLT, SPARE WHEEL HOLD DOWN "J" - 6 5/8" - W-F.	14G	1
1413-6	293805	BOLT, SPARE WHEEL HOLD DOWN "J" - 7 1/4" - W-F-Y.	4H.	1
1413-6	306020	BOLT, SPARE WHEEL HOLD DOWN 1/2" - 13X5/1/2" - C-K.	14G, 4H.	1
1413-9	295-07	WING NUT, 7/16" - 14	10G, 12G, 14G, H, 3H, 4H	1
	361-07	WASHER, PLAIN 7/16" } FOR 293804, 293805.	10G, 12G, 14G, H, 3H, 4H	1
	----	WASHER, PLAIN 1/2" (FOR 306020)	14G, 4H.	1