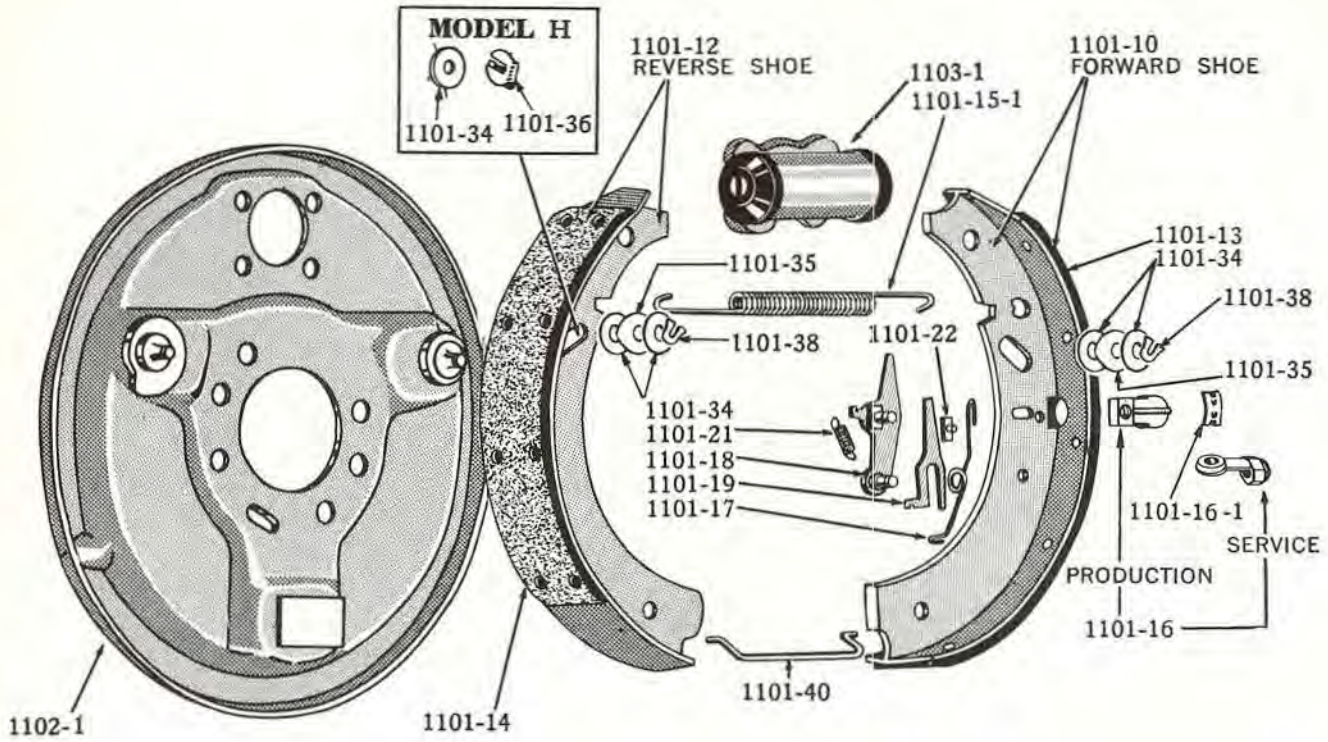
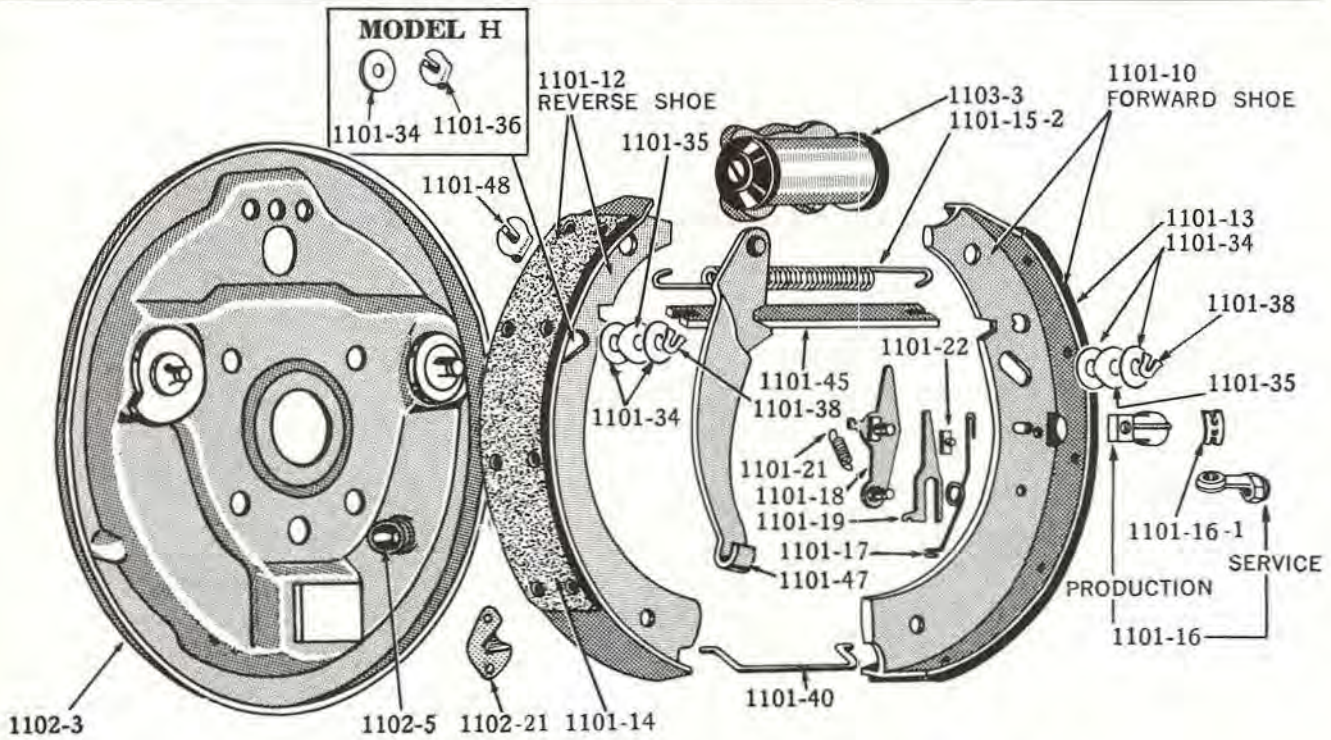


Plate 11-2

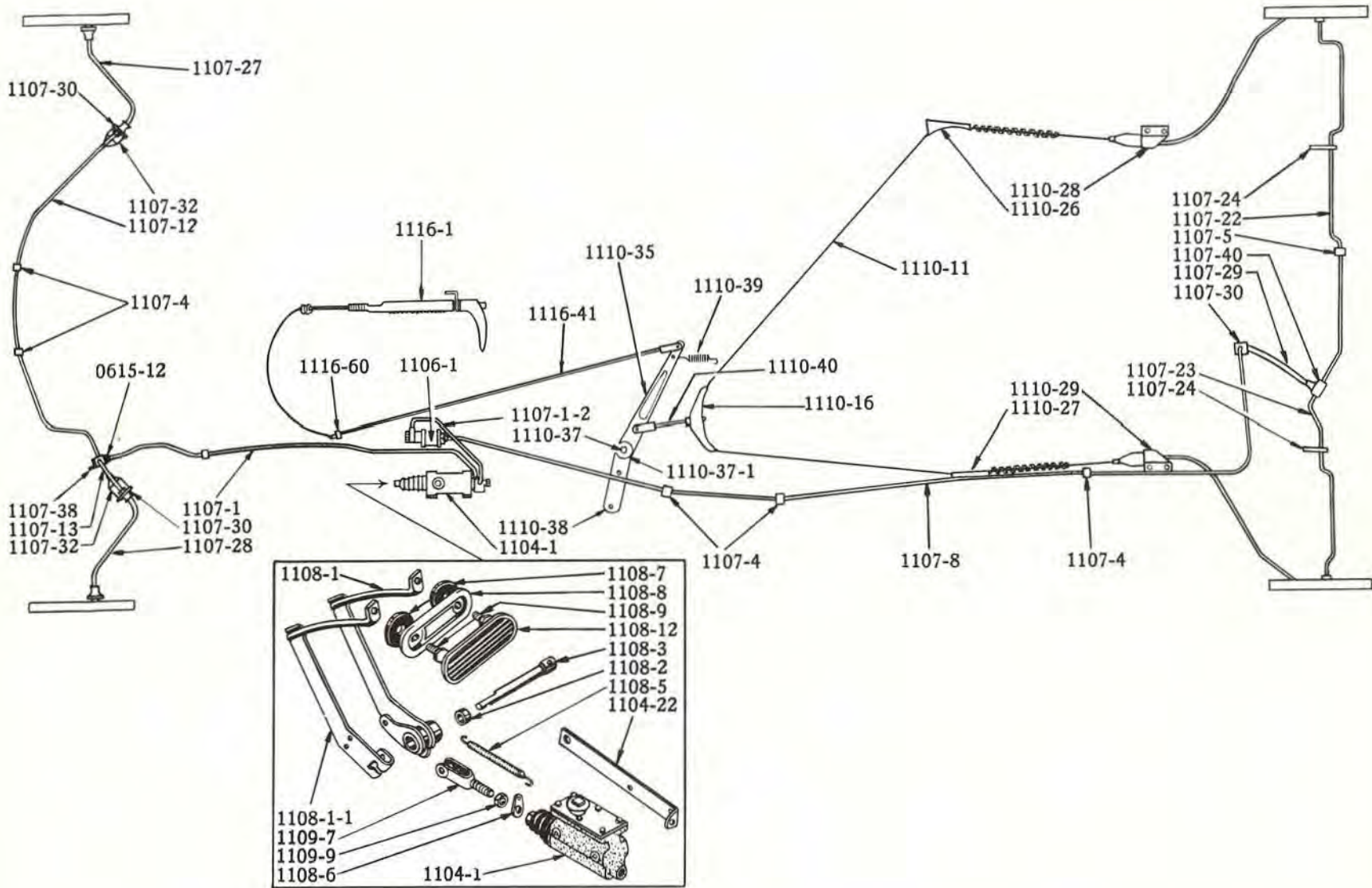
BRAKES



RIGHT FRONT BRAKE - Models H, 3H, 4H



RIGHT REAR BRAKE - Models H, 3H, 4H



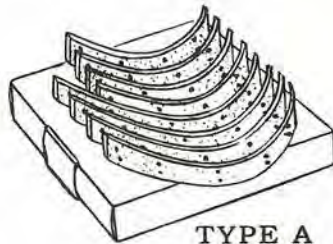
BRAKE CONTROLS - For Cars With AD. - Models 14G, 4H

BRAKES

1101

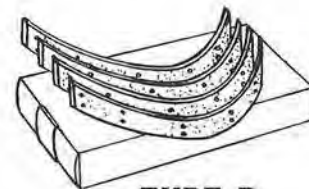
ILLUST. NUMBER	PART NUMBER	CHANGE	DESCRIPTION	MODELS	PER CAR
1101- WHEEL BRAKE SHOES, LININGS, ETC. (Plates 11-1,2)					
TO INSURE SATISFACTORY PERFORMANCE, BRAKE SHOES AND/OR LININGS MUST BE INSTALLED IN AXLE SETS.					
1101-10	524026	●	SHOE W/LINING, FORWARD, RIGHT BRAKE - U.S.A.	10G	2
	▲ 524027	●	SHOE W/LINING, FORWARD, LEFT BRAKE - U.S.A. - USE } NOTE 1.		
			1 EA. 531564-5		
1101-10	531564	●	SHOE W/LINING, FORWARD, RIGHT BRAKE - U.S.A.	10G, 12G, 14G	2
	531565	●	SHOE W/LINING, FORWARD, LEFT BRAKE - U.S.A.	10G, 12G, 14G	2
1101-10	531628	●	SHOE W/LINING, FORWARD, RIGHT BRAKE - CANADA	10G, 12G, 14G	2
	531629	●	SHOE W/LINING, FORWARD, LEFT BRAKE - CANADA	10G, 12G, 14G	2
1101-12	529176	●	SHOE W/LINING, REVERSE, FRONT AND REAR BRAKE-U.S.A.-NOTE 1.	10G	4
1101-12	531563	●	SHOE W/LINING, REVERSE, FRONT AND REAR BRAKE-U.S.A.-NOTE 2.	10G, 12G, 14G	4
1101-12	531634	●	SHOE W/LINING, REVERSE, FRONT AND REAR BRAKE - CANADA	10G, 12G, 14G	4
1101-10	531558	●	SHOE W/LINING, FORWARD, RIGHT FRONT BRAKE - U.S.A.	H. 3H.	1
	531559	●	SHOE W/LINING, FORWARD, LEFT FRONT BRAKE - U.S.A.	H. 3H.	1
1101-10	533678	●	SHOE W/LINING, FORWARD, RIGHT FRONT BRAKE - U.S.A.	4H.	1
	533679	●	SHOE W/LINING, FORWARD, LEFT FRONT BRAKE - U.S.A.	4H.	1
1101-10	531558	●	SHOE W/LINING, FORWARD, RIGHT FRONT BRAKE - CANADA	H. 3H.	1
	531559	●	SHOE W/LINING, FORWARD, LEFT FRONT BRAKE - CANADA	H. 3H.	1
1101-10	532068	●	SHOE W/LINING, FORWARD, RIGHT FRONT BRAKE - CANADA	3H, 4H	1
	532069	●	SHOE W/LINING, FORWARD, LEFT FRONT BRAKE - CANADA	3H, 4H	1
1101-12	531560	●	SHOE W/LINING, REVERSE, FRONT BRAKE - U.S.A.	H. 3H.	2
1101-12	533680	●	SHOE W/LINING, REVERSE, FRONT BRAKE - U.S.A.	4H.	2
1101-12	531560	●	SHOE W/LINING, REVERSE, FRONT BRAKE - CANADA - NOTE 3	H. 3H.	2
1101-12	532070	●	SHOE W/LINING, REVERSE, FRONT BRAKE - CANADA - NOTE 4	3H, 4H	2
1101-10	531564	●	SHOE W/LINING, FORWARD, RIGHT REAR BRAKE - U.S.A.	H. 3H.	1
	531565	●	SHOE W/LINING, FORWARD, LEFT REAR BRAKE - U.S.A.	H. 3H.	1
1101-10	533684	●	SHOE W/LINING, FORWARD, RIGHT REAR BRAKE - U.S.A.	4H.	1
	533685	●	SHOE W/LINING, FORWARD, LEFT REAR BRAKE - U.S.A.	4H.	1
1101-10	531628	●	SHOE W/LINING, FORWARD, RIGHT REAR BRAKE - CANADA	H. 3H, 4H	1
	531629	●	SHOE W/LINING, FORWARD, LEFT REAR BRAKE - CANADA	H. 3H, 4H	1
1101-12	531563	●	SHOE W/LINING, REVERSE, REAR BRAKE - U.S.A.	H. 3H.	2
1101-12	533683	●	SHOE W/LINING, REVERSE, REAR BRAKE - U.S.A.	4H.	2
1101-12	531634	●	SHOE W/LINING, REVERSE, REAR BRAKE - CANADA	H. 3H, 4H	2

● - INCLUDES: TIP AND HOLDER, LEVER, WEDGE, GUIDE AND SPRINGS.



TYPE A

#521396
HOLDER



TYPE B

		TYPE		
531571	LINING SET, FORWARD SHOE - U.S.A. - CONSISTS OF: . . .	B	10G, 12G, 14G	1
	4-531566 LINING 4-521396 TIP AND HOLDER			
526938	LINING SET, FORWARD SHOE - CANADA - CONSISTS OF: . . .	B	10G, 12G, 14G	1
	4-526252 LINING 4-521396 TIP AND HOLDER			
531570	LINING SET, FORWARD AND REVERSE SHOE - U.S.A. -			
	CONSISTS OF:	A	10G, 12G, 14G	1
	4-531566 LINING, FORWARD 4-531567 LINING, REVERSE			
	SHOE SHOE			
	4-521396 TIP AND HOLDER			

- NOTES
- ▲ - NOT AVAILABLE.
 - 1 - USED ON MODEL 10G
BEFORE CAR SERIALS SOUTH BEND G-1,090,463
LOS ANGELES G- 905,031
 - 2 - USED ON AND AFTER CAR SERIALS IN NOTE 1.
 - 3 - USED IN CANADA ON MODELS 12G 3H
BEFORE CAR SERIALS G-736,631 | 8,954,359
 - 4 - USED IN CANADA ON AND AFTER CAR SERIALS IN NOTE 3.

1101

BRAKES

ILLUST. NUMBER	PART NUMBER	CHANGE	DESCRIPTION	MODELS	PER CAR
1101- WHEEL BRAKE SHOES, LININGS, ETC.-Cont'd. (Plates 11-1, 2)					
			TYPE		
526939			LINING SET, FORWARD AND REVERSE SHOE - CANADA A . 4-526252 LINING, FORWARD SHOE 4-526253 LINING, REVERSE SHOE 4-521396 TIP AND HOLDER	10G, 12G, 14H	1
531557			LINING SET, FORWARD SHOE - U. S. A. - CONSISTS OF: B . 2-531561 LINING, FRONT BRAKE 4-521396 TIP AND HOLDER 2-531566 LINING, REAR BRAKE	H, 3H.	1
530780			LINING SET, FORWARD SHOE - CANADA - CONSISTS OF: B . 2-526254 LINING, FRONT BRAKE 4-521396 TIP AND HOLDER 2-526252 LINING, REAR BRAKE	H, 3H, 4H	1
531556			LINING SET, FORWARD AND REVERSE SHOE - U. S. A. - CONSISTS OF: A . 2-531561 LINING, FORWARD SHOE, FRONT 2-531567 LINING, REVERSE SHOE, FRONT 2-531562 LINING, REVERSE SHOE, FRONT 4-521396 TIP AND HOLDER 2-531566 LINING, FORWARD SHOE, REAR	H, 3H.	1
533676			LINING SET, FORWARD AND REVERSE SHOE - U. S. A. - CONSISTS OF: A . 2-533681 LINING, FORWARD SHOE, FRONT 2-533682 LINING, REVERSE SHOE, FRONT 2-533686 LINING, FORWARD SHOE, REAR 2-533687 LINING, REVERSE SHOE, REAR 4-521396 TIP AND HOLDER	4H.	1
529111			LINING SET, FORWARD AND REVERSE SHOE - CANADA - CONSISTS OF: A . 2-526254 LINING, FORWARD SHOE, FRONT 2-526255 LINING, REVERSE SHOE, FRONT 2-526252 LINING, FORWARD SHOE, REAR 2-526253 LINING, REVERSE SHOE, REAR 4-521396 TIP AND HOLDER	H, 3H, 4H	1
1101-13	----		LINING, FORWARD SHOE } SEE LINING SETS.	10G, 12G, 14G, H, 3H, 4H	4
1101-14	----		LINING, REVERSE SHOE }	10G, 12G, 14G, H, 3H, 4H	4
	75X34		RIVET, BRAKE LINING 9/64"X5/16".	10G, 12G, 14G, H, 3H, 4H	72
1101-15	521407		SPRING, BRAKE SHOE RETURN	10G, 12G, 14G	4
1101-15-1	521567		SPRING, FRONT BRAKE SHOE RETURN	H, 3H, 4H	2
1101-15-2	521407		SPRING, REAR BRAKE SHOE RETURN.	H, 3H, 4H	2
1101-16	521396		TIP AND HOLDER, FORWARD SHOE SELF ADJUSTING CONTACT (INCLUDED IN ALL LINING SETS)	10G, 12G, 14G, H, 3H, 4H	4
1101-16-1	527253		SPRING, FORWARD SHOE SELF ADJUSTING CONTACT TIP AND HOLDER.	10G, 12G, 14G, H, 3H, 4H	4
1101-17	524028		SPRING, RIGHT BRAKE FORWARD SHOE SELF ADJUSTING TIP AND HOLDER.	10G, 12G, 14G, H, 3H, 4H	2
	524029		SPRING, LEFT BRAKE FORWARD SHOE SELF ADJUSTING TIP AND HOLDER.	10G, 12G, 14G, H, 3H, 4H	2
1101-18	521393		LEVER, RIGHT BRAKE FORWARD SHOE SELF ADJUSTING.	10G, 12G, 14G, H, 3H, 4H	2
	521394		LEVER, LEFT BRAKE FORWARD SHOE SELF ADJUSTING	10G, 12G, 14G, H, 3H, 4H	2
1101-19	521391		WEDGE, RIGHT BRAKE FORWARD SHOE SELF ADJUSTING LEVER.	10G, 12G, 14G, H, 3H, 4H	2
	521392		WEDGE, LEFT BRAKE FORWARD SHOE SELF ADJUSTING LEVER	10G, 12G, 14G, H, 3H, 4H	2
1101-21	521395		SPRING, FORWARD SHOE SELF ADJUSTING LEVER WEDGE	10G, 12G, 14G, H, 3H, 4H	4
1101-22	521398		GUIDE, FORWARD SHOE SELF ADJUSTING LEVER WEDGE.	10G, 12G, 14G, H, 3H, 4H	4
	----		PINS, BRAKE SHOE TAKE-UP ECCENTRIC (NOT FURNISHED USE BRAKE BACKING PLATE ASSEMBLIES)	10G, 12G, 14G, H, 3H, 4H	

BRAKES

1102

ILLUST. NUMBER	PART NUMBER	CHANGE	DESCRIPTION	MODELS	PER CAR
1101- WHEEL BRAKE SHOES, LININGS, ETC.-Cont'd.					
(Plates 11-1,2)					
----			ECCENTRICS, BRAKE SHOE TAKE-UP (NOT FURNISHED USE BRAKE BACKING PLATE ASSEMBLIES)		
1101-34	526530		WASHER, PLAIN 17/64" - U.S.A.	10G, 12G, 14G, H, 3H, 4H	8
1101-34	526530		WASHER, PLAIN 17/64" - CANADA - NOTE 3	10G, H	8
1101-34	526530		WASHER, PLAIN 17/64" - U.S.A.	10G, 12G, H, 3H	16
1101-34	526530		WASHER, PLAIN 17/64" - CANADA - NOTE 4	12G, 14G, 3H, 4H	16
1101-35	531932		WASHER, SPRING - U.S.A.	12G, 14G, 3H, 4H	8
1101-35	531932		WASHER, SPRING - CANADA - NOTE 4	12G, 14G, 3H, 4H	8
1101-36	526531		WASHER, RETAINING SPRING - U.S.A.	10G, H	8
1101-36	526531		WASHER, RETAINING SPRING - CANADA - NOTE 4	10G, 12G, H, 3H	8
1101-38	642522		WASHER, "C", RETAINING - U.S.A.	12G, 14G, 3H, 4H	8
1101-38	642522		WASHER, "C", RETAINING - CANADA - NOTE 4	12G, 14G, 3H, 4H	8
1101-40	521408		SPRING, BRAKE SHOE ANCHOR	10G, 12G, 14G, H, 3H	4
1101-45	521406		LINK, REAR BRAKE SHOE OPERATING	10G, 12G, 14G, H, 3H	2
1101-47	524034		LEVER AND PIN, RIGHT REAR BRAKE SHOE LINK OPERATING	10G, 12G, 14G, H, 3H	1
	524035		LEVER AND PIN, LEFT REAR BRAKE SHOE LINK OPERATING	10G, 12G, 14G, H, 3H	1
1101-48	524031		WASHER, SPRING, SPECIAL RETAINING	10G, 12G, 14G, H, 3H	2
1102- WHEEL BRAKE BACKING PLATES					
(Plates 11-1,2)					
BRAKE BACKING PLATES INCLUDE TAKE-UP ECCENTRICS, SPRINGS, PINS, ETC.					
1102-1	528094		PLATE, RIGHT FRONT BRAKE BACKING	10G	1
	529095		PLATE, LEFT FRONT BRAKE BACKING	10G	1
1102-1	531920		PLATE, RIGHT FRONT BRAKE BACKING	12G, 14G	1
	531921		PLATE, LEFT FRONT BRAKE BACKING	12G, 14G	1
1102-1	529088		PLATE, RIGHT FRONT BRAKE BACKING	H	1
	529089		PLATE, LEFT FRONT BRAKE BACKING	H	1
1102-1	531928		PLATE, RIGHT FRONT BRAKE BACKING	3H, 4H	1
	531929		PLATE, LEFT FRONT BRAKE BACKING	3H, 4H	1
1102-3	▲ 529032		PLATE, RIGHT REAR BRAKE BACKING (ORDER 531924)	10G, H	1
	▲ 529033		PLATE, LEFT REAR BRAKE BACKING (ORDER 531925)	10G, H	1
1102-3	531924		PLATE, RIGHT REAR BRAKE BACKING	12G, 3H	1
	531925		PLATE, LEFT REAR BRAKE BACKING	12G, 3H	1
1102-3	532932		PLATE, RIGHT REAR BRAKE BACKING	14G, 4H	1
	532933		PLATE, LEFT REAR BRAKE BACKING	14G, 4H	1
	519379		BOLT, TO KNUCKLE 3/8"-24X7/8"	10G, 12G, 14G	8
	519379		BOLT, TO KNUCKLE 3/8"-24X7/8"	H, 3H, 4H	12
	196324		BOLT, TO HOUSING 3/8"-24X1"	10G, 12G, 14G, H, 3H, 4H	8
	252-06		NUT, HEX. 3/8"-24	10G, 12G, 14G	16
	252-06		NUT, HEX. 3/8"-24	H, 3H, 4H	20
	380-06		WASHER, LOCK 3/8"	10G, 12G, 14G, H, 3H, 4H	*
1102-5	524013		TUBE, REAR BRAKE CABLE GUIDE (WELDED TO BACKING PLATE)	10G, 12G, H, 3H	2
1102-21	533056		BRACKET, RIGHT BACKING PLATE HAND BRAKE CABLE	14G, 4H	1
	533057		BRACKET, LEFT BACKING PLATE HAND BRAKE CABLE	14G, 4H	1
	533907		BOLT, WELD, BACKING PLATE 1/4"-20X11/16"	14G, 4H	4
	251-04		NUT, HEX. 1/4"-20	14G, 4H	4
	385-04		WASHER, LOCK 1/4"	14G, 4H	4
1102-24	519383		PLATE, REAR BACKING PLATE RE-INFORCING (ILLUST. PLATES 10-1 AND 2)	10G, 12G, 14G, H, 3H, 4H	2

- NOTES {
- ▲ - NOT AVAILABLE
 - * - USE AS REQUIRED.
 - 3 - USED IN CANADA ON MODELS 12G | 3H
BEFORE CAR SERIALS G-736,631 | 8,954,359
 - 4 - USED IN CANADA ON AND AFTER CAR SERIALS IN NOTE 3.

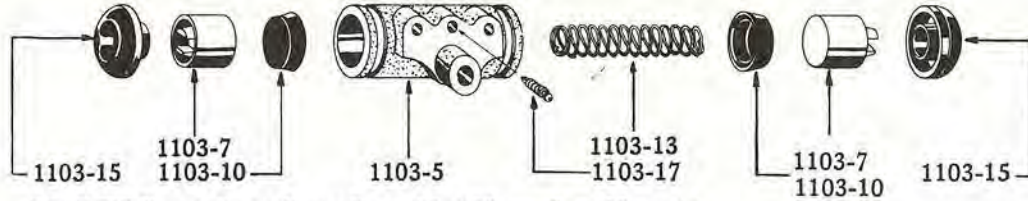
1103

BRAKES

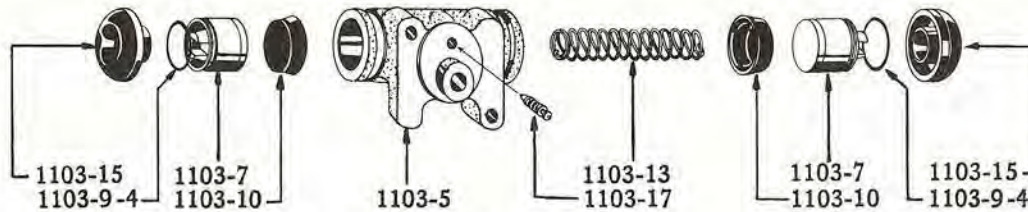
ILLUST. NUMBER	PART NUMBER	CHANGE	DESCRIPTION	MODELS	PER CAR
----------------	-------------	--------	-------------	--------	---------

1103- WHEEL BRAKE CYLINDER

WHEEL BRAKE CYLINDERS COMPLETE INCLUDE PISTONS, CUPS, SPRINGS AND BOOTS.



MODELS 10G, 12G, 14G — H, 3H — See Note 10



MODELS 3H, 4H — See Note 11

1103-1	525208	CYLINDER COMPLETE, FRONT WHEEL BRAKE	10G, 12G, 14G	2
1103-1	525821	CYLINDER COMPLETE, FRONT WHEEL BRAKE - U. S. A. - NOTE 10	H, 3H	2
1103-1	532942	CYLINDER COMPLETE, FRONT WHEEL BRAKE - U. S. A. - NOTE 11	3H, 4H	2
1103-1	525821	CYLINDER COMPLETE, FRONT WHEEL BRAKE - CANADA	H, 3H, 4H	2
1103-3	197120	CYLINDER COMPLETE, REAR WHEEL BRAKE - U. S. A. - NOTE 10	10G, 12G, 14G, H, 3H	2
1103-3	532948	CYLINDER COMPLETE, REAR WHEEL BRAKE - U. S. A. - NOTE 11	3H, 4H	2
1103-3	197120	CYLINDER COMPLETE, REAR WHEEL BRAKE - CANADA	10G, 12G, 14G, H, 3H, 4H	2
	1-046	SCREW, TO BACKING PLATE 1/4"-20X3/8"	10G, 12G, 14G	8
	1-058	SCREW, TO FRONT BACKING PLATE 5/16"-18X1/2"	H, 3H, 4H	4
	1-046	SCREW, TO REAR BACKING PLATE 1/4"-20X3/8"	H, 3H, 4H	4
	----	WASHER, LOCK 1/4"	10G, 12G, 14G, H, 3H, 4H	*
	380-05	WASHER, LOCK 5/16"	H, 3H, 4H	4
1103-5	----	CYLINDER CASTING, WHEEL BRAKE (USE CYLINDER COMPLETE)	10G, 12G, 14G, H, 3H, 4H	4



TYPE A

TYPE B

TYPE F

		TYPE		
S-374	CYLINDER REPAIR KIT, FRONT WHEEL BRAKE-NOTE 10- CONSISTS OF: 2-185473 CUP 2-197127 BOOT	B	10G, 12G, 14G, H, 3H	2
532627	CYLINDER REPAIR KIT, FRONT WHEEL BRAKE-NOTE 11- CONSISTS OF: 2-185473 CUP 2-532953 BOOT 2-532945 "O" RING	F	3H, 4H	2

NOTES { * - USE AS REQUIRED.
 10 - CYLINDER HAS PLAIN TYPE PISTON ON MODEL 3H
 BEFORE CAR SERIAL 8,265,602
 11 - CYLINDER HAS "O" RING TYPE PISTON ON AND AFTER CAR SERIAL IN NOTE 10.

BRAKES

1103

ILLUST. NUMBER	PART NUMBER	CHANGE	DESCRIPTION	MODELS	PER CAR
1103- WHEEL BRAKE CYLINDER-Cont'd.					
				TYPE	
	S-375		CYLINDER REPAIR KIT, REAR WHEEL BRAKE-NOTE 10 - CONSISTS OF: 2-197126 CUP 2-197127 BOOT	A 10G, 12G, 14G, H, 3H.	2
	532626		CYLINDER REPAIR KIT, REAR WHEEL BRAKE-NOTE 11 - CONSISTS OF: 2-197126 CUP 2-532953 BOOT 2-532951 "O" RING	F 3H, 4H	2
1103-7	666078		PISTON, FRONT WHEEL BRAKE CYLINDER - U.S.A. - NOTE 10	10G, 12G, 14G, H, 3H.	4
1103-7	532943		PISTON W/"O" RING, FRONT WHEEL BRAKE CYLINDER - U.S.A. - NOTE 11.	3H, 4H	4
1103-7	666078		PISTON, FRONT WHEEL BRAKE CYLINDER - CANADA	10G, 12G, 14G, H, 3H, 4H	4
1103-7	527639		PISTON, REAR WHEEL BRAKE CYLINDER - U.S.A. - NOTE 10.	10G, 12G, 14G, H, 3H.	4
1103-7	532949		PISTON W/"O" RING, REAR WHEEL BRAKE CYLINDER - U.S.A. - NOTE 11.	3H, 4H	4
1103-7	527639		PISTON, REAR WHEEL BRAKE CYLINDER - CANADA.	10G, 12G, 14G, H, 3H, 4H	4
			INCL. IN KIT		
	532945		"O" RING, FRONT WHEEL BRAKE CYLINDER PISTON 55/64" I.D. - U.S.A. - NOTE 11.	532627 3H, 4H	4
	532951		"O" RING, REAR WHEEL BRAKE CYLINDER PISTON 47/64" I.D. - U.S.A. - NOTE 11.	532626 3H, 4H	4
1103-10	185473		CUP, FRONT WHEEL BRAKE CYLINDER 1" DIA. - RUBBER	S-374, 532627 10G, 12G, 14G, H, 3H, 4H	4
1103-10	197126		CUP, REAR WHEEL BRAKE CYLINDER 55/64" DIA. - RUBBER	S-375, 532626 10G, 12G, 14G, H, 3H, 4H	4
1103-13	636747		SPRING, WHEEL BRAKE CYLINDER PISTON (11 COILS).	10G, 12G, 14G, H, 3H, 4H	4
1103-15	197127		BOOT, WHEEL BRAKE CYLINDER - RUBBER - NOTE 10 . S-374, S-275	10G, 12G, 14G, H, 3H.	8
1103-15	532953		BOOT, WHEEL BRAKE CYLINDER - RUBBER - NOTE 11 . 532626-7 .	3H, 4H	8
1103-17	197097		FITTING, WHEEL BRAKE CYLINDER BLEEDER 1/4"-28X1".	10G, 12G, 14G, H, 3H, 4H	4

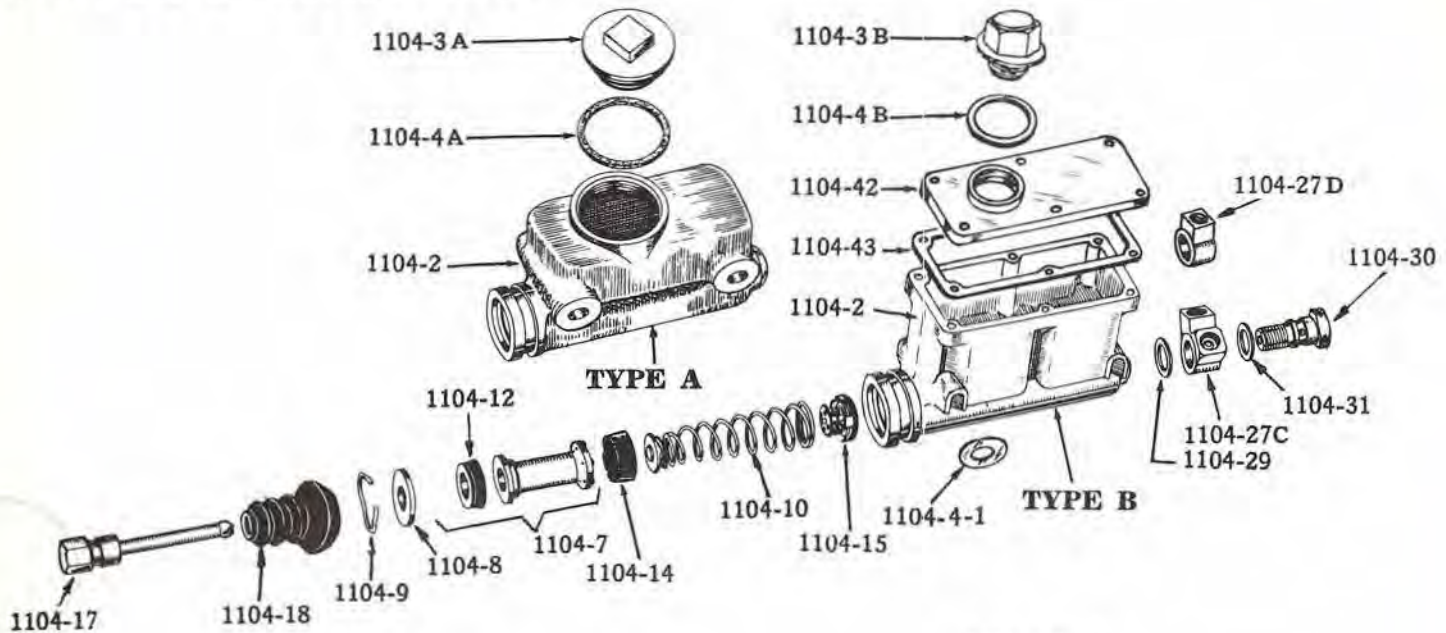
NOTES { 10 - CYLINDER HAS PLAIN TYPE PISTON ON MODEL 3H
BEFORE CAR SERIAL 8,265,602
11 - CYLINDER HAS "O" RING TYPE PISTON ON AND AFTER CAR SERIAL IN NOTE 10.

BRAKES

1104

ILLUST. NUMBER	PART NUMBER	CHANGE	DESCRIPTION	MODELS	PER CAR
----------------	-------------	--------	-------------	--------	---------

1104- MASTER CYLINDER (M/C)



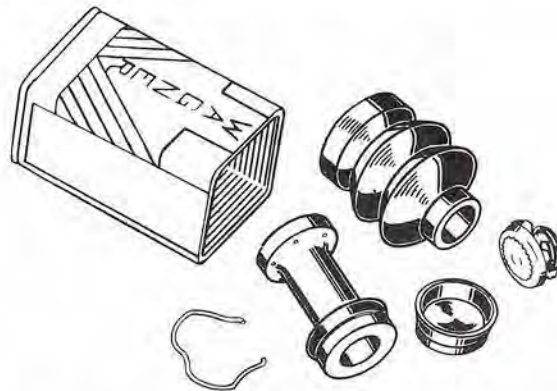
ILLUST. NUMBER	PART NUMBER	DESCRIPTION	MODELS	PER CAR
		TYPE CYL. CASTING		
1104-1	526617	MASTER CYLINDER COMPLETE, LESS FITTING-U.S.A. - NOTE 5 (ORDER 518302) B . . .	10G.H	1
1104-1	518302	MASTER CYLINDER COMPLETE, LESS FITTING-U.S.A.-NOTE 6. A . . .	10G,12G,H,3H.	1
1104-1	531510	MASTER CYLINDER COMPLETE, LESS FITTING AND SCREW-U.S.A. A . . .	14G,4H.	1
1104-1	529356	MASTER CYLINDER COMPLETE, LESS FITTING AND SCREW - CANADA. A . . .	10G,12G,14G,H,3H,4H	1
1104-2	----	CYLINDER CASTING, MASTER (USE CYLINDER COMPLETE).	10G,12G,14G,H,3H,4H	1
1104-3B	679928	PLUG, FILLER 1 1/4"-18	10G.H	1
1104-4B	523927	GASKET, 1 17/64" I.D., FIBRE } U.S.A. - NOTE 5.	10G.H	1
1104-3A	679927	PLUG, FILLER 1 5/8"-18	10G,12G,14G,H,3H,4H	1
1104-4A	196562	GASKET, FILLER PLUG 1 41/64" } U.S.A. - NOTE 6.	10G,12G,14G,H,3H,4H	1
1104-3A	530229	PLUG, FILLER } CANADA.	10G,12G,14G,H,3H,4H	1
1104-4A	530230	GASKET,	10G,12G,14G,H,3H,4H	1
1104-4-1	519343	SPACER, TO FRAME - LHC	10G,12G,H,3H.	2
	533197	SPACER, TO FRAME - RHC	14G,4H.	2
	2-0688	BOLT, FRONT, TO FRAME 3/8"-24X5 1/2"	10G,12G,H,3H.	1
	519622	BOLT, REAR, TO FRAME 3/8"-24X5 5/16"	10G,12G,H,3H.	1
	2-0684	BOLT, TO FRAME 3/8"-24X5 1/4".	14G,4H.	2
	252-06	NUT, HEX, 3/8"-24	10G,12G,14G,H,3H,4H	2
	----	WASHER, PLAIN 13/32".	10G,12G,H,3H.	2
	----	WASHER, PLAIN 13/32" (LESS AD.) (LESS NOROL) LHC.	14G	3
	----	WASHER, PLAIN 13/32" (LESS AD.) (WITH NOROL) LHC.	14G,4H.	1
	----	WASHER, PLAIN 13/32" (WITH AD.)	14G,4H.	2
	----	WASHER, PLAIN 13/32" (LESS NOROL) RHC	14G	2
	384-06	WASHER, LOCK 3/8"	10G,12G,14G,H,3H,4H	2
1104-7	523928	PISTON W/CUP, M/C (INCL. IN 523918 KIT) - U.S.A.	10G,12G,14G,H,3H,4H	1
1104-7	530232	PISTON W/CUP, M/C (INCL. IN 530235 KIT) - CANADA.	10G,12G,14G,H,3H,4H	1
1104-8	196554	STOP, M/C PISTON.	10G,H	1
1104-8	531476	STOP, M/C PISTON.	12G,14G,3H,4H	1
1104-9	196555	LOCK WIRE, (INCL. IN 523918-530235 KITS)	10G,12G,14G,H,3H,4H	1
1104-10	521876	SPRING W/RETAINER, M/C PISTON - U.S.A.	10G,12G,14G,H,3H,4H	1
1104-10	530233	SPRING W/RETAINER, M/C PISTON - CANADA.	10G,12G,14G,H,3H,4H	1
1104-12	196551	CUP, M/C PISTON 1 1/16" DIA. - RUBBER	10G,12G,14G,H,3H,4H	1
1104-14	196547	CUP, M/C 1 1/32" DIA. RUBBER (INCL. IN 523918, 530235 KITS)	10G,12G,14G,H,3H,4H	1

NOTES	5 - USED ON MODELS BEFORE CAR SERIALS	10G	H
		SOUTH BEND G-1,066,947	8,163,969
		LOS ANGELES G- 901,979	8,810,298
	6 - USED ON AND AFTER CAR SERIALS IN NOTE 5.		

BRAKES

1104

ILLUST. NUMBER	PART NUMBER	CHANGE	DESCRIPTION	MODELS	PER CAR
1104- MASTER CYLINDER-Cont'd.					
1104-15	521871	✓	VALVE COMPLETE, M/C (INCL. IN 523918 KIT) - U.S.A.	10G,12G,14G,H,3H,4H	1
1104-15	530231		VALVE COMPLETE, M/C (INCL. IN 530235 KIT) - CANADA.	10G,12G,14G,H,3H,4H	1
1104-17	523924		LINK, M/C CONNECTING - U.S.A.	10G,12G,14G,H,3H,4H	1
1104-17	530234		LINK, M/C CONNECTING - CANADA	10G,12G,14G,H,3H,4H	1
1104-18	523925		BOOT, M/C (INCL. IN 523918, 530235 KITS).	10G,12G,14G,H,3H,4H	1
1104-22	519257		STRAP, M/C SIDE SUPPORT (ILLUST. PLATE 11-3,4).	10G,12G,H,3H.	1
1104-22	531877		STRAP, M/C SIDE SUPPORT - LHC	14G,4H.	1
	533173		STRAP, M/C SIDE SUPPORT - RHC	14G,4H.	1
	533182		SPACER, TO BRAKE PEDAL - RHC	14G,4H.	1
1104-27C	195470		FITTING, M/C OUTLET - LHC (LESS NOROL).	10G,12G	1
1104-27D	512770		FITTING, M/C OUTLET - RHC	10G,12G,H,3H.	1
1104-27C	195470		FITTING, M/C OUTLET (LESS NOROL) (LESS AD).	14G,4H.	1
1104-27D	512770		FITTING, M/C OUTLET (WITH NOROL) (LESS AD).	14G,4H.	1
1104-27C	195470		FITTING, M/C OUTLET (AD).	14G,4H.	1
1104-29	185165		GASKET, FITTING 33/64" - COPPER.	10G,12G,14G,H,3H,4H	1
1104-30	185163		SCREW, TO M/C 1/2"-20X1 5/32".	10G,12G,H,3H.	1
1104-30	189696		SCREW, TO M/C 1/2"-20X1 5/32".	14G,4H.	1
1104-31	185164		GASKET, SCREW 39/64" - COPPER	10G,12G,14G,H,3H,4H	1
	547-02		PLUG, PIPE 1/8" - RHC.	10G,12G	1
1104-35	526621		PIPE W/NUTS, M/C TO FRAME BRACKET - RHC (3/16" O.D. LENGTH 9 1/8") (ILLUST. PLATE 11-3)	10G,12G,H,3H.	1
	515-03		NUT, PIPE 3/8"-24.	10G,12G,H,3H.	2
1105-22	526622		BRACKET, STOP LAMP SWITCH AND NOROL FRAME SUPPORT - RHC . .	10G,12G,H,3H.	1
	----		SPACER, TO FRAME 3/8".	10G,12G,H,3H.	2
	547-02		PLUG, PIPE 1/8" (WITH NOROL)	10G,12G,H,3H.	1
1104-42	523921		COVER, M/C NO. 14X3/4" U.S.A. - NOTE 5.	10G,H	1
	----		SCREW, COVER NO. 14X3/4"	10G,H	6
1104-43	523922		GASKET, M/C COVER - U.S.A. - NOTE 5	10G,H	1



523918	MASTER CYLINDER REPAIR KIT - U.S.A. - CONSISTS OF:	10G,12G,14G,H,3H,4H	1
	1-523928 PISTON 1-196555 LOCK WIRE		
	1-196547 CUP 1-523925 BOOT		
	1-521871 VALVE		
530235	MASTER CYLINDER REPAIR KIT - CANADA - CONSISTS OF:	10G,12G,14G,H,3H,4H	1
	1-530232 PISTON 1-196555 LOCK WIRE		
	1-530231 VALVE 1-523925 BOOT		
	1-196547 CUP		

NOTES { 5 - USED ON MODELS BEFORE CAR SERIAL NUMBERS

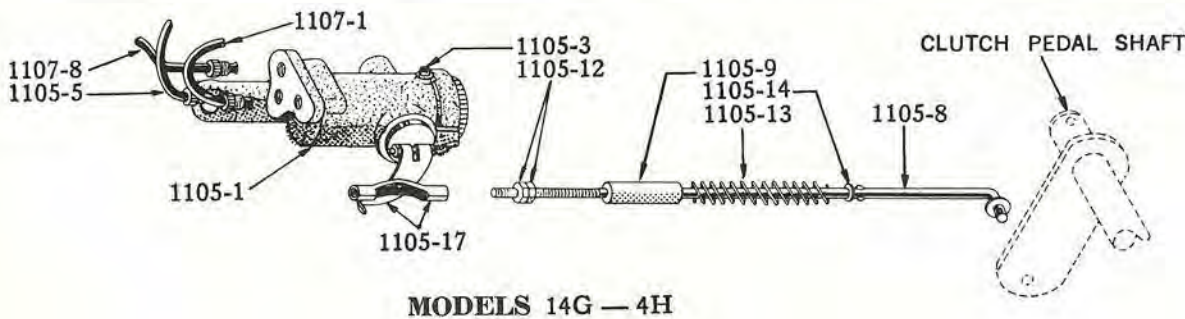
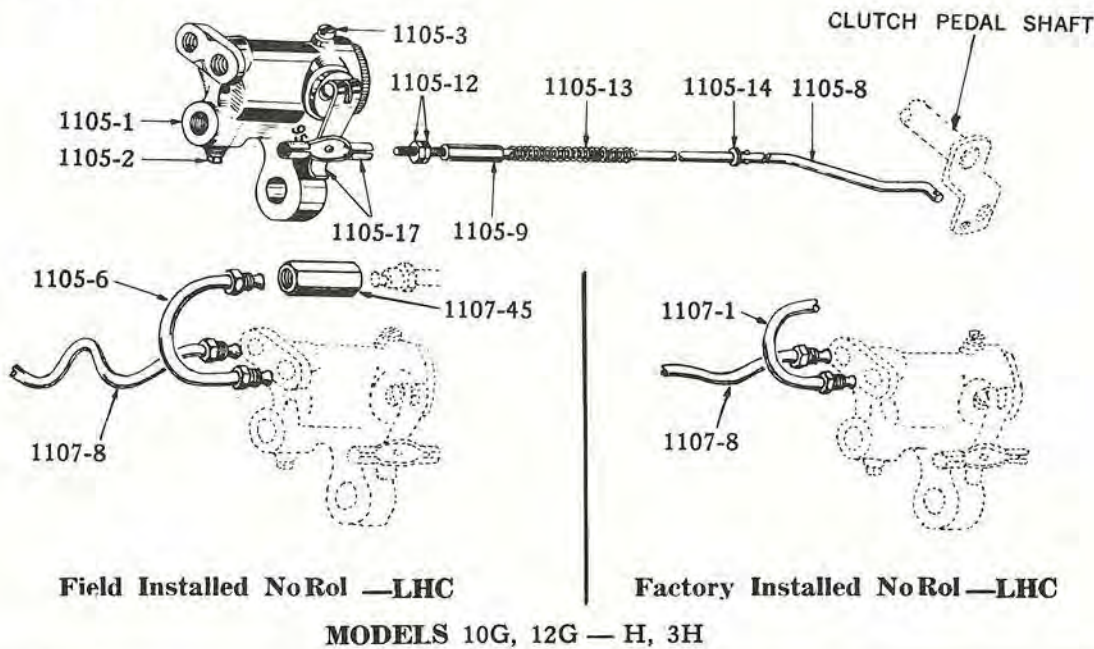
	10G	H
SOUTH BEND	G-1,066,947	8,163,969
LOS ANGELES	G- 901,979	8,810,298

1104

BRAKES

ILLUST. NUMBER	PART NUMBER	CHANGE	DESCRIPTION	MODELS	PER CAR
		✓			
1104- MASTER CYLINDER-Cont'd.					
195470			FITTING, M/C OUTLET PIPE FRAME BRACKET - RHC (LESS NOROL)	10G, 12G, H, 3H.	1
185165			GASKET, FITTING 33/64" - COPPER.	10G, 12G, H, 3H.	1
512771			SCREW, TO BRACKET 1/2" - 20X1 5/32" (LESS NOROL)	10G, 12G, H, 3H.	1
185164			GASKET, SCREW 39/64" - COPPER	10G, 12G, H, 3H.	1
AC-2402			HYDRAULIC BRAKE FLUID #21 - 12 OZ.	10G, 12G, 14G, H, 3H, 4H	*
AC-2403			HYDRAULIC BRAKE FLUID #21 - QUART	10G, 12G, 14G, H, 3H, 4H	*
AC-2404			HYDRAULIC BRAKE FLUID #21 - GALLON.	10G, 12G, 14G, H, 3H, 4H	*
AC-2405			HYDRAULIC BRAKE FLUID #21 - 5 GALLON.	10G, 12G, 14G, H, 3H, 4H	*

1105- NoRol UNIT



AC-2105	NOROL EQUIPMENT - LHC - CONSISTS OF:	10G, 12G	1
	1-526628 VALVE W/LEVER	1-188324 WASHER	
	1-529354 ROD	1-185164 WASHER	
	1-361-#10 WASHER	1-185165 WASHER	
	1- COTTER	1-527027 PIPE W/NUTS	
	1-188323 SLEEVE	1-679710 UNION	
	2-280-#10 NUT	1-526833 SCREW	
	1-188322 SPRING		

NOTE { * - USE AS REQUIRED.

BRAKES

1105

ILLUST. NUMBER	PART NUMBER	CHANGE	DESCRIPTION	MODELS	PER CAR
1105- NoRol UNIT-Cont'd.					
AC-2173			NOROL EQUIPMENT - RHC - CONSISTS OF: 1-526628 VALVE W/LEVER 1-188324 WASHER 1-530385 ROD 1-185164 WASHER 1-361-#10 WASHER 1-185165 WASHER 1- ---- COTTER 1-527027 PIPE W/NUTS 1-188323 SLEEVE 1-679710 UNION 2-280-#10 NUT 1-526620 SCREW 1-188322 SPRING	10G,12G	1
AC-2406			NOROL EQUIPMENT - LHC - CONSISTS OF: 1-532252 VALVE W/LEVER 1-188324 WASHER 1-531986 ROD 1-185164 WASHER 1-361-#10 WASHER 1-185165 WASHER 1- ---- COTTER 1-532568 PIPE W/NUTS 1-188323 SLEEVE 1-188322 SPRING 2-280-#10 NUT 1-512770 FITTING	14G	1
AC-2410			NOROL EQUIPMENT - RHC - CONSISTS OF: 1-532253 VALVE W/LEVER 1-188324 WASHER 1-531986 ROD 1-185164 WASHER 1-361-#10 WASHER 1-185165 WASHER 1- ---- COTTER 1-533443 PIPE W/NUTS 1-188323 SLEEVE 1-188322 SPRING 2-280-#10 NUT 1-512770 FITTING	14G	1
			INCL. IN KIT		
1105-1	526628		VALVE W/LEVER, NOROL, AC-2105, AC-2173	10G,12G,H,3H.	1
1105-1	532252		VALVE W/LEVER, NOROL - LHC. AC-2406	14G,4H.	1
	532253		VALVE W/LEVER, NOROL - RHC. AC-2410	14G,4H.	1
1105-2	547-02		PLUG, PIPE 1/8".	10G,12G,H,3H.	1
1105-3	----		SCREW, BLEEDER HOLE NO.10-32X1/4".	10G,12G,14G,H,3H,4H	1
	187322		GASKET,13/64" - COPPER.	10G,12G,14G,H,3H,4H	1
	185165		GASKET, VALVE - 33/64" - COPPER. AC-2105, AC-2173, AC-2406, AC-2410	10G,12G,14G,H,3H,4H	1
	526833		SCREW, TO M/C 1/2"-20X1 11/32" - LHC AC-2105	10G,12G,H,3H.	1
	526620		SCREW, TO BRACKET 1/2"-20X1 11/32" - RHC AC-2173	10G,12G,H,3H.	1
	185164		GASKET, SCREW 39/64" - COPPER AC-2105, AC-2173, AC-2406, AC-2410	10G,12G,14G,H,3H,4H	1
	526633		NOROL REPAIR KIT, CONSISTS OF: BALL CAGE ASSY., HEAD CHAMBER GASKET, CAM SHAFT PLUG GASKET, CAM SHAFT SEALING WASHER.	10G,12G,14G,H,3H,4H	1
1105-5	532568		PIPE W/NUTS, NOROL TO M/C - LHC AC-2406	14G,4H.	1
1105-5	533443		PIPE W/NUTS, NOROL TO M/C - RHC AC-2410	14G,4H.	1
			LENGTH		
1105-6	527027		PIPE W/NUTS, NOROL TO FRONT BRAKE PIPE (W/FIELD INSTALLED NOROL). 6 1/4" } AC-2105, AC-2173	10G,12G	1
	515-03		NUT, PIPE 3/8"-24.	10G,12G	2
1105-8	529354		ROD, NOROL VALVE OPERATING - LHC. 13 1/8". AC-2105	10G,12G,H,3H.	1
1105-8	530385		ROD, NOROL VALVE OPERATING - RHC. 11 13/16". AC-2173	10G,12G,H,3H.	1
1105-8	531986		ROD, NOROL VALVE OPERATING. 9 3/8". AC-2406, AC-2410	14G,4H.	1
1105-9	188323		SLEEVE, ADJUSTING. } AC-2105	10G,12G,14G,H,3H,4H	1
	280-#10		NUT, LOCKING NO. 10-32 } AC-2173	10G,12G,14G,H,3H,4H	2
	361-#10		WASHER, PLAIN NO.10. } AC-2406	10G,12G,14G,H,3H,4H	1
	----		COTTER 1/16"X1/2". } AC-2410	10G,12G,14G,H,3H,4H	1
1105-13	188322		SPRING, NOROL VALVE OPERATING ROD (59 COILS) } AC-2105, AC-2173	10G,12G,14G,H,3H,4H	1
1105-14	188324		WASHER, STOP NO.10 } AC-2406, AC-2410	10G,12G,14G,H,3H,4H	1

1105

BRAKES

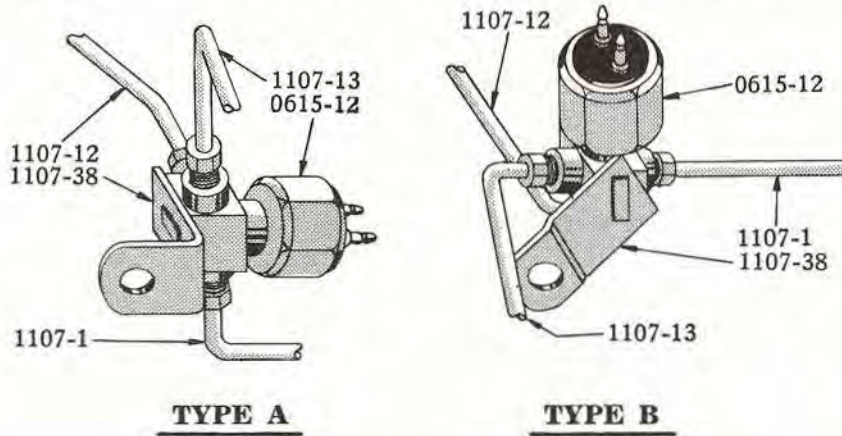
ILLUST. NUMBER	PART NUMBER	CHANGE	DESCRIPTION	MODELS	PER CAR
1105- NoRol UNIT-Cont'd.					
1105-17	665861		LEVER AND GUIDE, NOROL VALVE.	10G, 12G, H, 3H.	1
1105-17	533154		LEVER AND GUIDE, NOROL VALVE - LHC.	14G, 4H.	1
	533225		LEVER AND GUIDE, NOROL VALVE - RHC.	14G, 4H.	1
46-#10-14			SCREW, CLAMPING NO. 10-24X7/8".	10G, 12G, 14G, H, 3H, 4H	1
280-#10			NUT, HEX. NO. 10-24.	10G, 12G, 14G, H, 3H, 4H	1
----			WASHER, LOCK NO. 10.	10G, 12G, 14G, H, 3H, 4H	1
1105-22	526622		BRACKET, NOROL AND STOP LAMP FRAME SUPPORT - RHC (ILLUST. PLATE 11-3).	10G, 12G, H, 3H.	1
	547-02		PLUG, PIPE 1/8" (WITH NOROL) RHC	10G, 12G, H, 3H.	1
----			SPACER, TO FRAME 3/8".	10G, 12G, H, 3H.	2
1106- ANTI-CREEP SOLENOID VALVE SWITCH AND CABLE (Plates 08-1, 2; 11-4, 6)					
1106-1	527804		SOLENOID VALVE, ANTI-CREEP.	10G, 12G, H, 3H.	1
1106-1	532958		SOLENOID VALVE, ANTI-CREEP.	14G, 4H.	1
1106-8	527805		ADAPTER, SOLENOID VALVE TO MASTER CYLINDER.	10G, 12G, H, 3H.	1
1106-12	185166		GASKET, ADAPTER 29/64" - COPPER OR ALUM	10G, 12G, H, 3H.	1
1106-16	529021		SCREW, SPECIAL 7/16"-20X1"	10G, 12G, H, 3H.	1
1106-20	185167		GASKET, SCREW 7/16" - COPPER OR ALUM	10G, 12G, H, 3H.	1
1106-24	185165		GASKET, ADAPTER 33/64" - COPPER OR ALUM	10G, 12G, H, 3H.	1
1106-28	185163		SCREW, SPECIAL 1/2"-20X1 5/32".	10G, 12G, H, 3H.	1
1106-32	185164		GASKET, SCREW 39/64" - COPPER OR ALUM.	10G, 12G, H, 3H.	1
1106-9	532811		FITTING, SOLENOID VALVE	14G, 4H.	1
1106-12	185166		GASKET, FITTING 29/64" - COPPER OR ALUM.	14G, 4H.	1
1106-16	529021		SCREW, SPECIAL 7/16"-20X1"	14G, 4H.	1
1106-20	185167		GASKET, SCREW 39/64" - COPPER OR ALUM.	14G, 4H.	1
----			PIPE W/NUTS, M/C TO ANTI-CREEP SOLENOID VALVE-SEE GROUP 1107	14G, 4H.	1
1106-36	527394		SWITCH, ANTI-CREEP SOLENOID VALVE PRESSURE (ON TRANSMISSION)	10G, 12G, 14G, H, 3H, 4H	1
1106-37	527260		SWITCH, ANTI-CREEP SOLENOID VALVE CONTROL (ON ACCELERATOR CROSS SHAFT) (ILLUST. PLATES 03-8, 10)	10G, 12G, 14G, H, 3H, 4H	1
	280-#10		NUT, LOCK NO. 10-32 (FOR 527260).	10G, 12G, 14G, H, 3H, 4H	1
1106-40	529341		CABLE, ANTI-CREEP CONTROL WIRING.	10G	1
1106-40	531806		CABLE, ANTI-CREEP CONTROL WIRING.	12G	1
1106-40	532334		CABLE, ANTI-CREEP CONTROL WIRING.	14G	1
1106-40	530524		CABLE, ANTI-CREEP CONTROL WIRING.	H	1
1106-40	531771		CABLE, ANTI-CREEP CONTROL WIRING.	3H.	1
1106-40	533095		CABLE, ANTI-CREEP CONTROL WIRING - EXCEPT C-K	4H.	1
1106-40	534356		CABLE, ANTI-CREEP CONTROL WIRING - C-K.	4H.	1
	190470		CLIP, CLOSED, TO FLOOR PAN	10G, 12G, 14G, H, 3H, 4H	2
	190470		CLIP, CLOSED, TO FLOOR PAN	14G	1
	55-0416		BOLT, ROUND HEAD 1/4"-20X1"	10G, 12G, 14G, H, 3H, 4H	2
	251-04		NUT, HEX. 1/4"-20.	10G, 12G, 14G, H, 3H, 4H	2
	----		WASHER, PLAIN 1/4".	10G, 12G, H, 3H.	2
	----		WASHER, LOCK 1/4".	10G, 12G, H, 3H.	2
	172653		CLIP, CLOSED, TO DASH.	10G, 12G	1
	173426		CLIP, CLOSED, TO DASH.	14G, H, 3H, 4H	1
	172651		CLIP, CLOSED, TO DASH.	H, 3H.	1
	614-#14-8		SCREW, BINDING HEAD NO. 14X1/2".	10G, 12G, H	2
	614-#14-8		SCREW, BINDING HEAD NO. 14X1/2".	3H.	1
	----		SCREW, BINDING HEAD NO. 10X1/2".	3H.	1
	651-#14-8		SCREW, TO DASH NO. 14X1/2".	14G, 4H.	1
1106-60	527511		CLIP, OPEN, TO TRANSMISSION.	10G, 12G, 14G, H, 3H, 4H	1
	286138		CLIP, OPEN, TO STARTER MOTOR	10G, 12G, 14G	1

BRAKES

1107

ILLUST. NUMBER	PART NUMBER	CHANGE	DESCRIPTION	MODELS	PER CAR
1106- ANTI-CREEP SOLENOID VALVE SWITCH AND CABLE-Cont'd. (Plates 08-1,2; 11-4,6)					
	198667		TERMINAL, PUSH CABLE.	10G,12G,14G,H,3H,4H	*
	513675		TERMINAL, EYELET, CABLE	10G,12G,14G,H,3H,4H	*
1106-68	192545		CONNECTOR, ANTI-CREEP CONTROL WIRING CABLE.	10G,12G,14G,H,3H,4H	2
1106-72	195792		FUSE, ANTI-CREEP CONTROL WIRING CABLE - 14 AMP.	10G,12G,14G,H,3H,4H	1

1107- BRAKE PIPES, HOSE AND FITTINGS (Plates 11-3,4,5,6)



THE ABOVE SHOWS POSITION ON FRAME SIDE MEMBER IMMEDIATELY AT REAR OF FRONT CROSS MEMBER

MASTER CYLINDER (M/C) TO FRONT BRAKE PIPES

ILLUST. NUMBER	PART NUMBER	DESCRIPTION	DEVELOPED		MODELS	PER CAR
			O.D.	LENGTH		
1107-1	530194	PIPE W/NUTS, M/C TO FRONT BRAKE PIPE TEE - LHC.	LESS 3/16"	43 3/4"	10G,12G	1
1107-1	530816	PIPE W/NUTS, M/C TO FRONT BRAKE PIPE TEE - RHC.				
1107-1	530193	PIPE W/NUTS, M/C TO FRONT BRAKE PIPE TEE - LHC.	WITH 3/16"	47 7/8"	10G,12G,H,3H.	1
1107-1	530817	PIPE W/NUTS, M/C TO FRONT BRAKE PIPE TEE - RHC.				
1107-3	530183	PIPE W/NUTS, M/C TO FRONT BRAKE PIPE TEE EXTENSION (WITH AD).	3/16"	3 5/8"	10G,12G,H,3H.	1
---		PIPE W/NUTS, M/C TO FRAME BRACKET-RHC (SEE GROUP 1104).			10G,12G,H,3H.	1
1107-1	532648	PIPE W/NUTS, M/C TO FRONT BRAKE PIPE TEE - LHC - NOTE 12.	LESS 3/16"	42 3/4"	14G	1
1107-1	534388	PIPE W/NUTS, M/C TO FRONT BRAKE PIPE TEE - LHC - NOTE 13.				
1107-1	533444	PIPE W/NUTS, M/C TO FRONT BRAKE PIPE TEE - RHC.	3/16"	42 3/4"	14G	1
1107-1	532610	PIPE W/NUTS, NOROL TO FRONT BRAKE PIPE TEE-LHC-NOTE 12.				
1107-1	534387	PIPE W/NUTS, NOROL TO FRONT BRAKE PIPE TEE-LHC-NOTE 13.	LESS 3/16"	40"	14G,4H.	1
1107-1	533438	PIPE W/NUTS, NOROL TO FRONT BRAKE PIPE TEE - RHC.				
1107-1	532648	PIPE W/NUTS, ANTI-CREEP TO FRONT BRAKE PIPE TEE (WITH AD) NOTE 12.	3/16"	42 3/4"	14G,4H.	1
1107-1	534388	PIPE W/NUTS, ANTI-CREEP TO FRONT BRAKE PIPE TEE (WITH AD) NOTE 13.	3/16"	42 3/4"	14G,4H.	1

NOTES { * - USE AS REQUIRED.
 12 - TYPE A BRAKE PIPE TEE AND BRACKET (SEE ILLUSTRATION) USED ON MODELS 14G | 4H
 BEFORE APPROXIMATE CAR SERIALS G-1,235,258 | 8,313,577
 13 - TYPE B BRAKE PIPE TEE AND BRACKET (SEE ILLUSTRATION) USED ON AND AFTER CAR SERIALS IN NOTE 12.

BRAKES

1107

ILLUST. NUMBER	PART NUMBER	CHANGE <input checked="" type="checkbox"/>	DESCRIPTION	MODELS	PER CAR
1107- BRAKE PIPES, HOSE AND FITTINGS-Cont'd.					
(Plates 11-3, 4, 5, 6)					
FRONT BRAKE PIPES					
			DEVELOPED O.D. LENGTH		
1107-12	530195		PIPE w/NUTS. LONG, FRONT BRAKE PIPE TEE TO HOSE - LHC. 3/16" 41"	10G, 12G, H, 3H.	1
1107-13	530182		PIPE w/NUTS. SHORT, FRONT BRAKE PIPE TEE TO HOSE. 3/16" 5 7/8"	10G, 12G, H, 3H.	1
1107-12	530818		PIPE w/NUTS. LONG, FRONT BRAKE PIPE TEE TO HOSE - RHC. 3/16" 41 1/4"	10G, 12G, H, 3H.	1
1107-12	532416		PIPE w/NUTS. LONG, FRONT BRAKE PIPE TEE TO HOSE - LHC - NOTE 12. 3/16" 40 13/16"	14G, 4H.	1
1107-12	534369		PIPE w/NUTS. LONG, FRONT BRAKE PIPE TEE TO HOSE - LHC - NOTE 13. 3/16" 42"	14G, 4H.	1
1107-13	533691		PIPE w/NUTS. SHORT, FRONT BRAKE PIPE TEE TO HOSE - LHC - NOTE 12. 3/16" 6"	14G, 4H.	1
1107-13	534357		PIPE w/NUTS. SHORT, FRONT BRAKE PIPE TEE TO HOSE - LHC - NOTE 13. 3/16" 5 1/4"	14G, 4H.	1
1107-12	533442		PIPE w/NUTS. LONG, FRONT BRAKE PIPE TEE TO HOSE - RHC - NOTE 12. 3/16" 40 13/16"	14G, 4H.	1
1107-12	534395		PIPE w/NUTS. LONG, FRONT BRAKE PIPE TEE TO HOSE - RHC - NOTE 13. 3/16" 40 13/16"	14G, 4H.	1
1107-13	533690		PIPE w/NUTS. SHORT, FRONT BRAKE PIPE TEE TO HOSE - RHC - NOTE 12. 3/16" 6"	14G, 4H.	1
1107-13	534394		PIPE w/NUTS. SHORT, FRONT BRAKE PIPE TEE TO HOSE - RHC - NOTE 13. 3/16" 6"	14G, 4H.	1
1107-4	194702		CLIP, TO FRAME	10G, 12G, 14G, H, 3H, 4H	2
REAR BRAKE PIPES					
1107-22	526198		PIPE w/NUTS. RIGHT, REAR BRAKE TEE TO BRAKE 3/16" 40"	10G, 12G	1
1107-22	530277		PIPE w/NUTS. RIGHT, REAR BRAKE TEE TO BRAKE 3/16" 42 1/2"	H, 3H.	1
1107-23	530278		PIPE w/NUTS. LEFT, REAR BRAKE TEE TO BRAKE. 3/16" 24"	10G, 12G, H, 3H.	2
1107-22	532641		PIPE w/NUTS. RIGHT, REAR BRAKE TEE TO BRAKE 3/16" 39 1/8"	14G, 4H.	1
1107-23	532654		PIPE w/NUTS. LEFT, REAR BRAKE TEE TO BRAKE. 3/16" 21 1/8"	14G, 4H.	1
1107-24	530186		CLIP, LARGE, TO AXLE HOUSING	10G, 12G, 14G, H, 3H, 4H	2
1107-5	195567		CLIP, SMALL, TO AXLE HOUSING	10G, 12G, 14G, H, 3H, 4H	1
	531013		SPACER, CLIP 3/16" THICK (FOR 195567)	10G, 12G, 14G, H, 3H, 4H	1
BRAKE PIPE NUTS					
	515-03		NUT, BRAKE PIPE 3/8"-24	10G, 12G, 14G, H, 3H, 4H	-
BRAKE PIPE HOSE					
			LENGTH		
1107-27 } 1107-28 }	523614		HOSE, FRONT, BRAKE FLEXIBLE 14 11/16"	10G, 12G, 14G, H, 3H, 4H	2
1107-29	526184		HOSE, REAR, BRAKE FLEXIBLE. 16"	10G, 12G, 14G, H, 3H, 4H	1
1107-30	675466		CLIP, LOCK	10G, 12G, 14G, H, 3H, 4H	3
	195569		GASKET, BRAKE PIPE FLEXIBLE HOSE - COPPER.	10G, 12G, 14G, H, 3H, 4H	3
BRAKE HOSE BRACKETS					
1107-32	526154		BRACKET, FRONT BRAKE HOSE	10G, 12G, 14G, H, 3H, 4H	2
	650-058		SCREW, TO FRAME 5/16"X1/2"	10G, 12G, 14G, H, 3H, 4H	2

NOTES { 12 - TYPE A BRAKE PIPE TEE AND BRACKET (SEE ILLUSTRATION) USED ON MODELS 14G | 4H
 BEFORE APPROXIMATE CAR SERIALS G-1, 235, 258 | 8, 313, 577
 13 - TYPE B BRAKE PIPE TEE AND BRACKET (SEE ILLUSTRATION) USED ON AND AFTER CAR SERIALS IN NOTE 12.

1107

BRAKES

ILLUST. NUMBER	PART NUMBER	CHANGE	DESCRIPTION	MODELS	PER CAR
1107- BRAKE PIPES, HOSE AND FITTINGS-Cont'd.					
(Plates 11-3,4,5,6)					
BRAKE PIPE TEE					
1107-38	520482		TEE, FRONT BRAKE PIPE	10G,12G,H,3H.	1
1107-38	532762		TEE AND BRACKET, FRONT BRAKE PIPE - NOTE 12	14G,4H.	1
1107-38	534355		TEE AND BRACKET, FRONT BRAKE PIPE - LHC - NOTE 13	14G,4H.	1
1107-38	532762		TEE AND BRACKET, FRONT BRAKE PIPE - RHC - NOTE 13	14G,4H.	1
1107-40	194697		TEE, REAR BRAKE PIPE (FASTENED TO REAR AXLE HOUSING).	10G,12G,14G,H,3H,4H	1
	526191		SPACER, FITTING 3/8" THICK	10G,12G,14G,H,3H,4H	1
	2-0422		SCREW, TO AXLE HOUSING 1/4"-28X1 3/8".	10G,12G,14G,H,3H,4H	1
	650-058		SCREW, TO FRAME 5/16"X1/2".	14G,4H.	1
	----		WASHER, LOCK 1/4"	10G,12G,14G,H,3H,4H	1
BRAKE PIPE UNION					
1107-45	679710		UNION, BRAKE PIPE (WITH AD) (ILLUST. PLATE 08-1).	10G,12G,H,3H.	1
1107-45	679710		UNION, BRAKE PIPE (INCL. IN AC-2105).	10G,12G	1
1108- BRAKE PEDAL (Plates 11-3,4,5,6)					
1108-1	529276		PEDAL w/BUSHINGS, BRAKE - LHC (INCL. GREASE FITTING) - NOTE 7.	10G,H	1
1108-1	531535		PEDAL w/BUSHINGS, BRAKE - LHC (INCL. GREASE FITTING) - NOTE 8.	10G,H	1
	530374		PEDAL w/BUSHINGS, BRAKE - RHC (INCL. GREASE FITTING).	10G,H	1
1108-1	531857		PEDAL w/BUSHINGS, BRAKE - LHC (INCL. GREASE FITTING).	12G,3H.	1
	531858		PEDAL w/BUSHINGS, BRAKE - RHC (INCL. GREASE FITTING).	12G,3H.	1
1108-1-1	530137		PEDAL w/BUSHINGS, BRAKE AUX. - LHC (WITH AD).	10G,12G,H,3H.	1
1108-1	532095		PEDAL w/BUSHINGS, BRAKE (INCL. GREASE FITTING) (LESS AD).	14G,4H.	1
1108-1	532244		PEDAL w/BUSHINGS, BRAKE (INCL. GREASE FITTING) (AD) LHC	14G,4H.	1
1108-1-1	532010		PEDAL w/BUSHINGS, BRAKE AUX. (AD) LHC	14G,4H.	1
	679093		GREASE FITTING, (ALEMITE STRAIGHT)	10G,12G,14G,H,3H,4H	1
	12-0632		BOLT, CLAMPING 3/8" - 24X2"	10G,12G,14G,H,3H,4H	1
	252-06		NUT, HEX. 3/8"-24	10G,12G,14G,H,3H,4H	1
	----		WASHER, PLAIN 3/8".	10G,12G,14G,H,3H,4H	2
	380-06		WASHER, LOCK 3/8"	10G,12G,14G,H,3H,4H	1
	288153		BOLT, PEDALS CONNECTOR 3/8"-16X7/8" (AD)	14G,4H.	1
	255-06		NUT, HEX. 3/8"-16	14G,4H.	1
	384-06		WASHER, SHAKEPROOF 3/8"	14G,4H.	1
1108-2	517152		BUSHING, BRAKE PEDAL.	10G,12G,14G,H,3H,4H	2
1108-3	529455		SHAFT AND LEVER, BRAKE AUX. PEDAL (AD) - NOTE 7	10G,H	1
	----		BOLT, TO PEDAL 3/8" - 24X1 1/8".	10G,H	1
	252-06		NUT, HEX. 3/8"- 24	10G,H	1
	380-06		WASHER, LOCK 3/8"	10G,H	1
1108-3	531538		SHAFT AND LEVER, BRAKE AUX. PEDAL (AD) - NOTE 8	10G,12G,H,3H.	1
	288153		BOLT, TO PEDAL 3/8"-24X1 1/8".	10G,12G,H,3H.	1
	255-06		NUT, HEX. 3/8"-16.	10G,12G,H,3H.	1
	384-06		WASHER, SHAKEPROOF 3/8"	10G,12G,H,3H.	1
1108-3	533188		SHAFT, BRAKE AUX. PEDAL (AD).	14G,4H.	1
	532035		WASHER, SPECIAL.	14G,4H.	1

NOTES	7 - USED ON MODELS BEFORE CAR SERIALS		10G	H
		SOUTH BEND	G-1,076,893	8,178,202
		LOS ANGELES	G- 904,125	8,812,776
		CANADA	G- 735,623	8,953,899
	8 - USED ON AND AFTER CAR SERIALS IN NOTE 7,			
	12 - TYPE A BRAKE PIPE TEE AND BRACKET (SEE ILLUSTRATION) USED ON MODELS BEFORE APPROXIMATE CAR SERIALS		14G	4H
			G-1,235,258	8,313,577
	13 - TYPE B BRAKE PIPE TEE AND BRACKET (SEE ILLUSTRATION) USED ON AND AFTER CAR SERIALS IN NOTE 12.			

BRAKES

1110

ILLUST. NUMBER	PART NUMBER	CHANGE	DESCRIPTION	MODELS	PER CAR	
1108- BRAKE PEDAL-Cont'd. (Plates 11-3,4,5,6)						
1108-5	522293		SPRING, BRAKE PEDAL PULLBACK (EXCEPT AD)	10G, 12G, 14G, H, 3H, 4H	1	
1108-5	530867		SPRING, BRAKE PEDAL PULLBACK (AD)	10G, 12G, 14G, H, 3H, 4H	1	
1108-6	519624		CLIP, TO MASTER CYLINDER	10G, 12G, H, 3H	1	
1108-6	194683		CLIP, TO MASTER CYLINDER	14G, 4H	1	
1108-7	530366		GROMMET, BRAKE PEDAL (EXCEPT AD)	10G, 12G, 14G, H, 3H, 4H	1	
1108-7	530366		GROMMET, BRAKE PEDAL (AD)	10G, 12G, 14G, H, 3H, 4H	2	
1108-8	675269		PAD, BRAKE PEDAL (EXCEPT AD)	10G, 12G, 14G, H, 3H, 4H	1	
	384-08		WASHER, LOCK 1/2"	10G, 12G, 14G, H, 3H, 4H	1	
1108-8	527753		PAD, PEDAL (AD)	10G, 12G, H, 3H	1	
1108-8	532247		PAD, PEDAL (AD)	14G, 4H	1	
1108-9	527754		SCREW, TO PEDAL 1/2" -20X5/8"	10G, 12G, 14G, H, 3H, 4H	2	
	384-08		WASHER, LOCK 1/2"	10G, 12G, 14G, H, 3H, 4H	2	
1108-12	527755		COVER, PEDAL PAD - RUBBER (AD)	10G, 12G, H, 3H	1	
1108-12	532248		COVER, PEDAL PAD - RUBBER (AD)	14G, 4H	1	
1109- BRAKE RODS (Plates 11-3,4,5,6)						
1109-7	529219		ROD, PEDAL TO M/C	10G, H	1	
1109-7	531865		ROD, PEDAL TO M/C	12G, 3H	1	
1109-7	533715		ROD, PEDAL TO M/C	14G, 4H	1	
1109-9	256-07		NUT, LOCK 7/16"-20	10G, 12G, 14G, H, 3H, 4H	1	
	438-0616		PIN, CLEVIS, TO PEDAL 3/8"X27/32"	10G, 12G, 14G, H, 3H, 4H	1	
	----		COTTER, 3/32"X1"	10G, 12G, 14G, H, 3H, 4H	1	
1110- BRAKE CABLES (Plates 11-3,4,5,6)						
				LENGTH		
1110-6	530130		CABLE AND ENDS, FRONT, HAND BRAKE (FROM EQUALIZER TO LEVER) LHC - NOTE 9	.29 3/4"	10G, 12G, H, 3H	1
1110-6	531710		CABLE AND ENDS, FRONT, HAND BRAKE - RHC (FROM EQUALIZER TO LEVER)	.14 3/8"	10G, 12G, H, 3H	1
1110-7	252-05		NUT, HEX, TO EQUALIZER 5/16"-24		10G, H	2
	367-05		WASHER, PLAIN 5/16"		10G, 12G, H, 3H	1
	438-0511		PIN, CLEVIS, TO LEVER 5/16"X1/2"		10G, 12G, H, 3H	1
	----		COTTER 3/32"X1"		10G, 12G, H, 3H	1
1110-10	530128		SPRING, HAND BRAKE FRONT CABLE ANCHOR (40 COILS)		10G, 12G, H, 3H	1
1110-11	519795		CABLE AND ENDS, REAR, HAND BRAKE (FROM EQUALIZER TO BRAKES) EXCEPT Y	142 1/2"	10G, 12G, H, 3H	1
1110-11	530181		CABLE AND ENDS, REAR, HAND BRAKE (FROM EQUALIZER TO BRAKES) Y	150"	H, 3H	1
1110-11	533055		CABLE AND ENDS, REAR, HAND BRAKE (FROM EQUALIZER TO BRAKES) W-F-D-N		14G, 4H	1
1110-11	533065		CABLE AND ENDS, REAR, HAND BRAKE (FROM EQUALIZER TO BRAKES) Y-C-K		14G, 4H	1
	198004		WASHER, CABLE TO BRAKE RETAINING "C"		10G, 12G, H, 3H	2
	533290		CLIP, TO BRACKET		14G, 4H	2
1110-16	530129		EQUALIZER, HAND BRAKE REAR CABLE		10G, 12G, 14G, H, 3H, 4H	1
	520257		TUBE, HAND BRAKE REAR CABLE PROTECTING (LOCATED AT EQUALIZER)		10G, 12G, H, 3H	1

NOTE { 9 - 20 MODEL 10G AND 15 MODEL H CARS AFTER SERIALS G-1, 102,655; H-8, 204, 308 WERE EQUIPPED WITH 531710 CABLE, 526259 BELL CRANK, 531712 BRACKET, 531924 AND 531725 CONTROL ASSEMBLIES AND 531726 CABLE AND CONDUIT-CHECK DETAILS.

1110

BRAKES

ILLUST. NUMBER	PART NUMBER	CHANGE	DESCRIPTION	MODELS	PER CAR
1110- BRAKE CABLES-Cont'd. (Plates 11-3, 4, 5, 6)					
1110-20	530063		GUIDE, HAND BRAKE FRONT CABLE - LHC	10G, 12G, H, 3H.	1
1110-20	530397		GUIDE, HAND BRAKE FRONT CABLE - RHC - NOTE 9.	10G, H	1
1110-24	530129		GUIDE, FRONT, HAND BRAKE REAR CABLE	10G, 12G, H, 3H.	1
	520257		SPACER, TUBULAR 21/64"x1".	10G, 12G, H, 3H.	1
	11X159		BOLT, TO FRAME 5/16"-24X1 1/2".	10G, 12G, H, 3H.	1
	252-05		NUT, HEX 5/16"-24	10G, 12G, H, 3H.	1
	361-05		WASHER, PLAIN 5/16"	10G, 12G, H, 3H.	1
	380-05		WASHER, LOCK 5/16".	10G, 12G, H, 3H.	1
1110-26	530504		GUIDE, REAR RIGHT, HAND BRAKE REAR CABLE.	10G, 12G, H, 3H.	1
1110-27	530505		GUIDE, REAR LEFT, HAND BRAKE REAR CABLE	10G, 12G, H, 3H.	1
1110-26	532668		GUIDE, RIGHT, HAND BRAKE REAR CABLE	14G, 4H.	1
1110-27	532669		GUIDE, LEFT, HAND BRAKE REAR CABLE - LHC.	14G, 4H.	1
1110-27	533471		GUIDE, LEFT, HAND BRAKE REAR CABLE - RHC.	14G, 4H.	1
	----		RIVET, TO FRAME 3/8"x1 1/8".	10G, 12G, H, 3H.	2
	651-#14-8		SCREW, TO FRAME NO*14X1/2"	14G, 4H.	4
1110-28	532531		BRACKET, RIGHT, HAND BRAKE CABLE.	14G, 4H.	1
1110-29	532532		BRACKET, LEFT, HAND BRAKE CABLE	14G, 4H.	1
	----		RIVET, TO FRAME 5/16"x7/8"	14G, 4H.	4
1110-30	512660		BOOT, HAND BRAKE REAR CABLE	10G, 12G, H, 3H.	2
1110-36	530021		LEVER, HAND BRAKE FRONT CABLE OPERATING - LHC	10G, 12G, H, 3H.	1
1110-36	530398		LEVER, HAND BRAKE FRONT CABLE OPERATING - RHC - NOTE 9.	10G, H	1
1110-35	526259		BELLCRANK, HAND BRAKE - RHC	12G, 3H.	1
1110-35	533135		BELLCRANK, HAND BRAKE - LHC	14G, 4H.	1
1110-35	533793		BELLCRANK, HAND BRAKE - RHC	14G, 4H.	1
1110-37	519858		BOLT, PIVOT, TO BRACKET 3/8"-24X15/16"	12G, 14G, 3H, 4H	1
	252-06		NUT, HEX. 3/8"-24	12G, 14G, 3H, 4H.	1
1110-37-1	534384		WASHER, SPRING.	12G, 14G, 3H, 4H	1
	380-06		WASHER, LOCK 3/8"	12G, 14G, 3H, 4H	1
1110-38	531712		BRACKET, HAND BRAKE BELL CRANK SUPPORT - RHC.	12G, 3H.	1
1110-38	532666		BRACKET, HAND BRAKE BELL CRANK SUPPORT.	14G, 4H.	1
	2-0516		BOLT, TO FRAME 5/16":24X1"	12G, 14G, 3H, 4H	2
	252-05		NUT, HEX. 5/16"-24.	12G, 14G, 3H, 4H	2
	380-05		WASHER, LOCK 5/16".	12G, 14G, 3H, 4H	2
1110-39	534284P		SPRING, BELLCRANK PULLBACK.	14G, 4H.	1
1110-40	533123		ROD, REAR CABLE ADJUSTING	14G, 4H.	1
	438-0511		PIN, TO BELLCRANK 5/16"x1/2".	14G, 4H.	1
	252-05		NUT, TO EQUALIZER 5/16"-24	14G, 4H.	2
	367-05		WASHER, PLAIN 5/16"	14G, 4H.	1
	----		COTTER 3/32"x1"	14G, 4H.	1
1110-42	530456		GUIDE, HAND BRAKE FRONT CABLE OPERATING LEVER (WITH AD)	10G, 12G, H, 3H.	1
1110-42	530399		GUIDE, HAND BRAKE FRONT CABLE OPERATING LEVER-RHC-NOTE 9.	10G, H	1

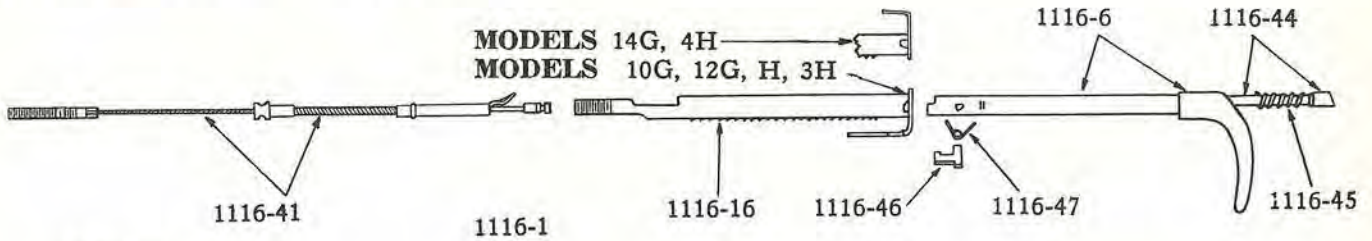
NOTES } 9 - 20 MODEL 10G AND 15 MODEL H CARS AFTER SERIALS G-1, 102, 655; H-8, 204, 308 WERE EQUIPPED WITH 531710 CABLE, 526259 BELL CRANK, 531712 BRACKET, 531924 AND 531725 CONTROL ASSEMBLIES AND 531726 CABLE AND CONDUIT - CHECK DETAILS.

BRAKES

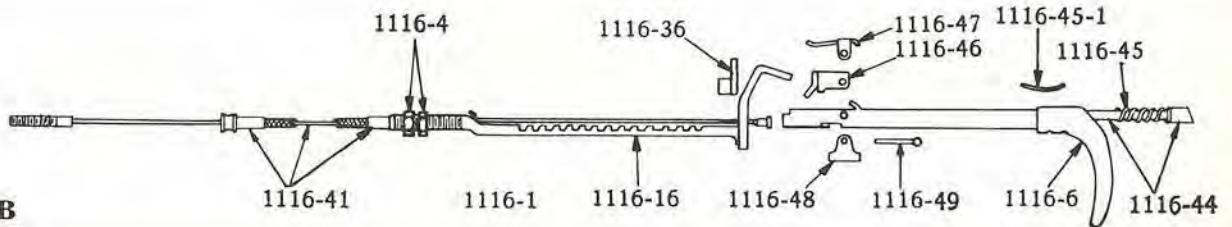
1116

ILLUST. NUMBER	PART NUMBER	CHANGE	DESCRIPTION	MODELS	PER CAR
----------------	-------------	--------	-------------	--------	---------

1116- HAND OR PARKING BRAKE



TYPE A



TYPE B

AC-2127	KIT, PARKING BRAKE WARNING LIGHT.	10G, 12G, H, 3H.	1
534113	FLASHER, PARKING BRAKE WARNING LIGHT (INCL. IN AC-2127 KIT)	10G, 12G, H, 3H.	1
		TYPE	
1116-1	530205 CONTROL COMPLETE, HAND BRAKE - LHC.	A 10G, 12G, H, 3H.	1
1116-1	532972 CONTROL COMPLETE, HAND BRAKE - EXCEPT C-K - LHC.	A 14G, 4H.	1
1116-1	532973 CONTROL COMPLETE, HAND BRAKE - C-K - LHC.	A 14G, 4H.	1
1116-1	533464 CONTROL COMPLETE, HAND BRAKE - EXCEPT C-K - RHC.	A 14G, 4H.	1
----	SCREW, TO INSTRUMENT BOARD NO. 10X5/8".	10G, 12G, 14G, H, 3H, 4H	2
1792X2	SPEED NUT	10G, 12G, H, 3H.	1
1792X3	SPEED NUT	14G, 4H.	1
256-09	NUT, GUIDE TO DASH 9/16"-18.	10G, 12G, 14G, H, 3H, 4H	2
1116-1	530885 CONTROL COMPLETE, HAND BRAKE - RHC - NOTE 9	B 10G	1
1116-1	531724 CONTROL COMPLETE, HAND BRAKE - RHC.	B 12G	1
1116-1	530926 CONTROL COMPLETE, HAND BRAKE - RHC - NOTE 9	B H	1
1116-1	531725 CONTROL COMPLETE, HAND BRAKE - RHC.	B 3H.	1
526600X2	CLIP, LACER, TO BRAKE PIPE - RHC	12G, 3H.	1
2-0512	BOLT, TO INSTRUMENT BOARD 5/16"-24X3/4".	10G, 12G, H, 3H.	2
1116-4	252-05 NUT, HEX. 5/16"-24.	10G, 12G, H, 3H.	2
	380-05 WASHER, LOCK 5/16".	10G, 12G, H, 3H.	2
	256-09 NUT, GUIDE TO DASH 9/16"-18.	10G, 12G, H, 3H.	2
1116-6	530743 HANDLE AND PLUNGER, CONTROL CABLE PULL - LHC.	A 10G, 12G, H, 3H.	1
1116-6	527011 HANDLE AND PLUNGER, CONTROL CABLE PULL - RHC.	B 10G, 12G, H, 3H.	1
1116-6	533019 HANDLE AND PLUNGER, CONTROL CABLE PULL.	A 14G, 4H.	1
1116-16	530737 GUIDE, CONTROL HANDLE AND PLUNGER - LHC.	A 10G, 12G, H, 3H.	1
	527640 GUIDE AND PAWL KIT, CONTROL - RHC (INCLUDES GUIDE, 527638 PAWL AND 525480 RIVET).	10G, 12G	1
1116-16	530927 GUIDE, CONTROL HANDLE AND PLUNGER - RHC	B H, 3H.	1
1116-16	533014P GUIDE, CONTROL HANDLE AND PLUNGER - EXCEPT C-K - LHC.	A 14G, 4H.	1
1116-16	533015P GUIDE, CONTROL HANDLE AND PLUNGER - C-K - LHC	A 14G, 4H.	1
1116-16	533487P GUIDE, CONTROL HANDLE AND PLUNGER - EXCEPT C-K - RHC.	A 14G, 4H.	1

NOTES { 9 - 20 MODEL 10G AND 15 MODEL H CARS AFTER SERIALS G-1,102,655; H-8,204,308 WERE EQUIPPED WITH 531710 CABLE, 526259 BELL CRANK, 531712 BRACKET, 531924 AND 531725 CONTROL ASSEMBLIES AND 531726 CABLE AND CONDUIT - CHECK DETAILS.

1116

BRAKES

ILLUST. NUMBER	PART NUMBER	CHANGE	DESCRIPTION	MODELS	PER CAR
1116- HAND OR PARKING BRAKE-Cont'd.					
					TYPE
1116-36	525625		SPRING, CONTROL PLUNGER ANTI-RATTLE BRONZE - RHC.	10G, 12G, H, 3H.	1
	----		RIVET, TO BRACKET 9/64"x7/32".	10G, 12G, H, 3H.	1
					LENGTH
1116-41	530616		CABLE AND CONDUIT, CONTROL - LHC25 7/16"	10G, 12G, H, 3H.	1
1116-41	530886		CABLE AND CONDUIT, CONTROL - RHC-NOTE 9 .24 3/8"	10G	1
1116-41	530930		CABLE AND CONDUIT, CONTROL - RHC-NOTE 9 .24 13/16"	H	1
1116-41	531726		CABLE AND CONDUIT, CONTROL - RHC.59 9/16"	12G, 3H.	1
1116-41	533020		CABLE AND CONDUIT, CONTROL -EXCEPT C-K-LHC.66 1/2"	14G, 4H.	1
1116-41	533021		CABLE AND CONDUIT, CONTROL - C-K - LHC. .66"	14G, 4H.	1
1116-41	533486		CABLE AND CONDUIT, CONTROL-EXCEPT C-K-RHC .58 5/8"	14G, 4H.	1
	114919		CLIP, TO DASH - W-Y-F - RHC.	14G, 4H.	1
	2-0410		BOLT, TO DASH 1/4"-28X5/8" - RHC	14G, 4H.	1
	252-04		NUT, HEX 1/4"-28.	14G, 4H.	1
	-----		WASHER, PLAIN 1/4".	14G, 4H.	1
	-----		WASHER, LOCK 1/4"	14G, 4H.	1
1116-44	530612		ROD AND BUTTON, CONTROL RELEASE (INCLUDES SPRING) LHC	10G, 12G, H, 3H.	1
1116-44	525630		ROD AND BUTTON, CONTROL RELEASE - RHC	10G, 12G, H, 3H.	1
1116-44	530612		ROD AND BUTTON, CONTROL RELEASE (INCLUDES SPRING)	14G, 4H.	1
1116-45	530613		SPRING, RELEASE - 8 COILS - LHC.	10G, 12G, H, 3H.	1
1116-45	525633		SPRING, RELEASE - 9 COILS - RHC.	10G, 12G, H, 3H.	1
1116-45	530613		SPRING, RELEASE - 8 COILS.	14G, 4H.	1
1116-45-1	526995		SPRING, ANTI-RATTLE - RHC.	10G, 12G, H, 3H.	1
1116-46	530614		LATCH OR PAWL, CONTROL PLUNGER - LHC.	10G, 12G, H, 3H.	1
1116-46	527638		LATCH OR PAWL, CONTROL PLUNGER - RHC.	10G, 12G, H, 3H.	1
1116-46	530614		LATCH OR PAWL, CONTROL PLUNGER.	14G, 4H.	1
1116-47	530615		SPRING, PAWL - LHC	10G, 12G, H, 3H.	1
1116-47	525638		SPRING, PAWL - RHC	10G, 12G, H, 3H.	1
1116-47	530615		SPRING, PAWL	14G, 4H.	1
1116-48	525639		STOP, CONTROL PLUNGER - RHC	10G, 12G, H, 3H.	1
1116-49	525480		RIVET, TO HANDLE 1/8"x1 3/32".	10G, 12G, H, 3H.	1
1116-60	195506		CLEVIS, CONTROL CABLE (ILLUST. PLATE 11-4).	10G, 12G, 14G, H, 3H, 4H	1
1116-61	252-04		NUT, HEX. 1/4"-28.	10G, 12G, 14G, H, 3H, 4H	1
	438-0412		PIN, CLEVIS 1/4"x3/4".	10G, 12G, 14G, H, 3H, 4H	1
	----		COTTER 1/16"x3/4".	10G, 12G, 14G, H, 3H, 4H	1
	530917		BRACKET, CONTROL CABLE CONDUIT SUPPORT - RHC.	H	1
	521738		CLAMP, CONTROL CABLE CONDUIT TO DASH.	10G, 12G, 14G, H, 3H, 4H	1
	251-04		NUT, HEX. 3/8"-24.	10G, 12G, 14G, H, 3H, 4H	1
	----		WASHER, LOCK 1/4"	10G, 12G, 14G, H, 3H, 4H	1
	530353		COVER, CONTROL CABLE CONDUIT CLAMP HOLE - LHC	10G, 12G, H, 3H.	1
	530353		COVER, CONTROL CABLE CONDUIT CLAMP HOLE	14G, 4H.	1

NOTES { 9 - 20 MODEL 10G AND 15 MODEL H CARS AFTER SERIALS G-1,102,655; H-8,204,308 WERE EQUIPPED WITH 531710 CABLE, 526259 BELL CRANK, 531712 BRACKET, 531924 AND 531725 CONTROL ASSEMBLIES AND 531726 CABLE AND CONDUIT - CHECK DETAILS.