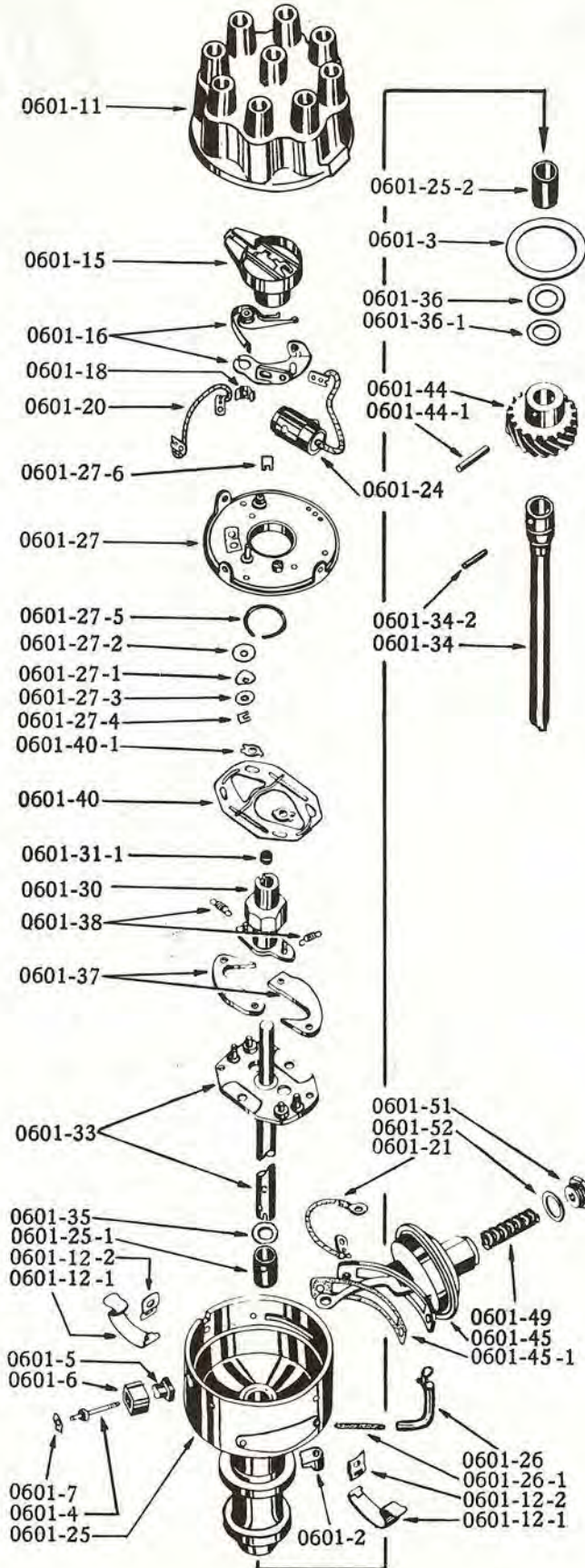


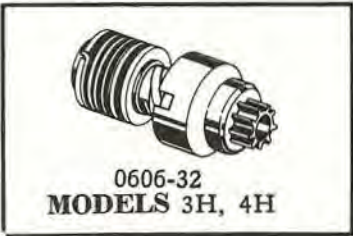
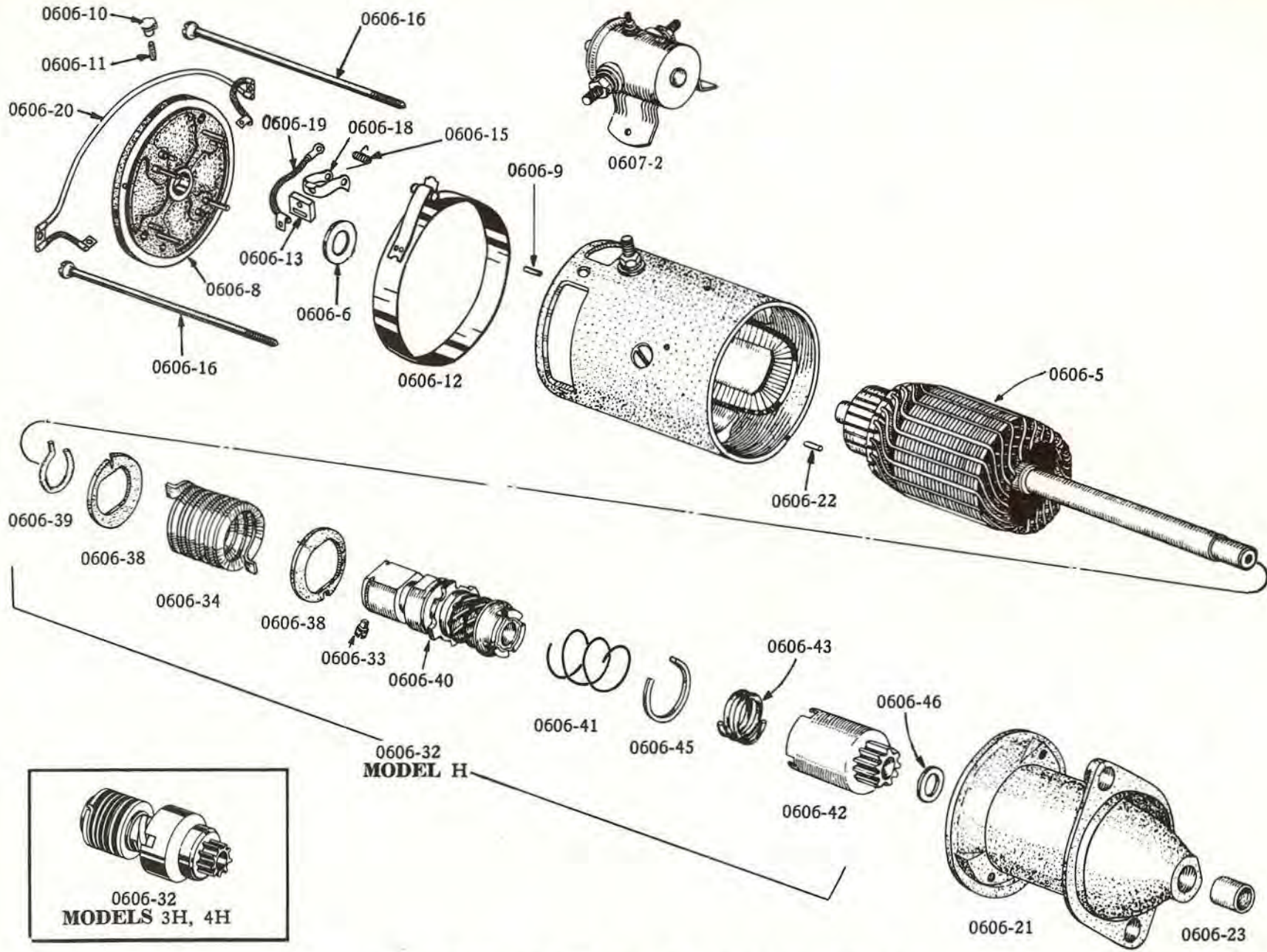
ELECTRICAL SYSTEM - Model 4H

Plate 06-6

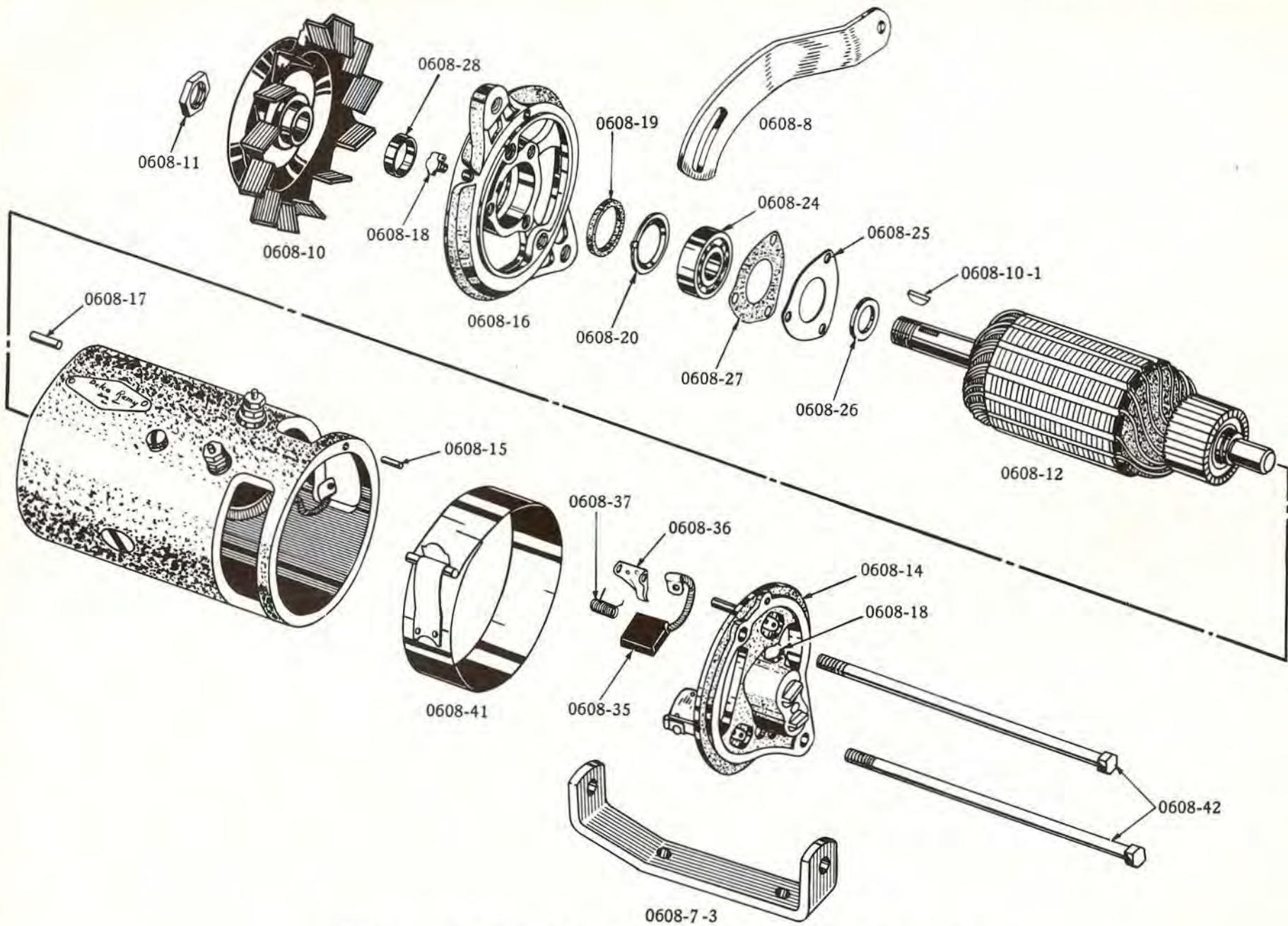
ELECTRICAL



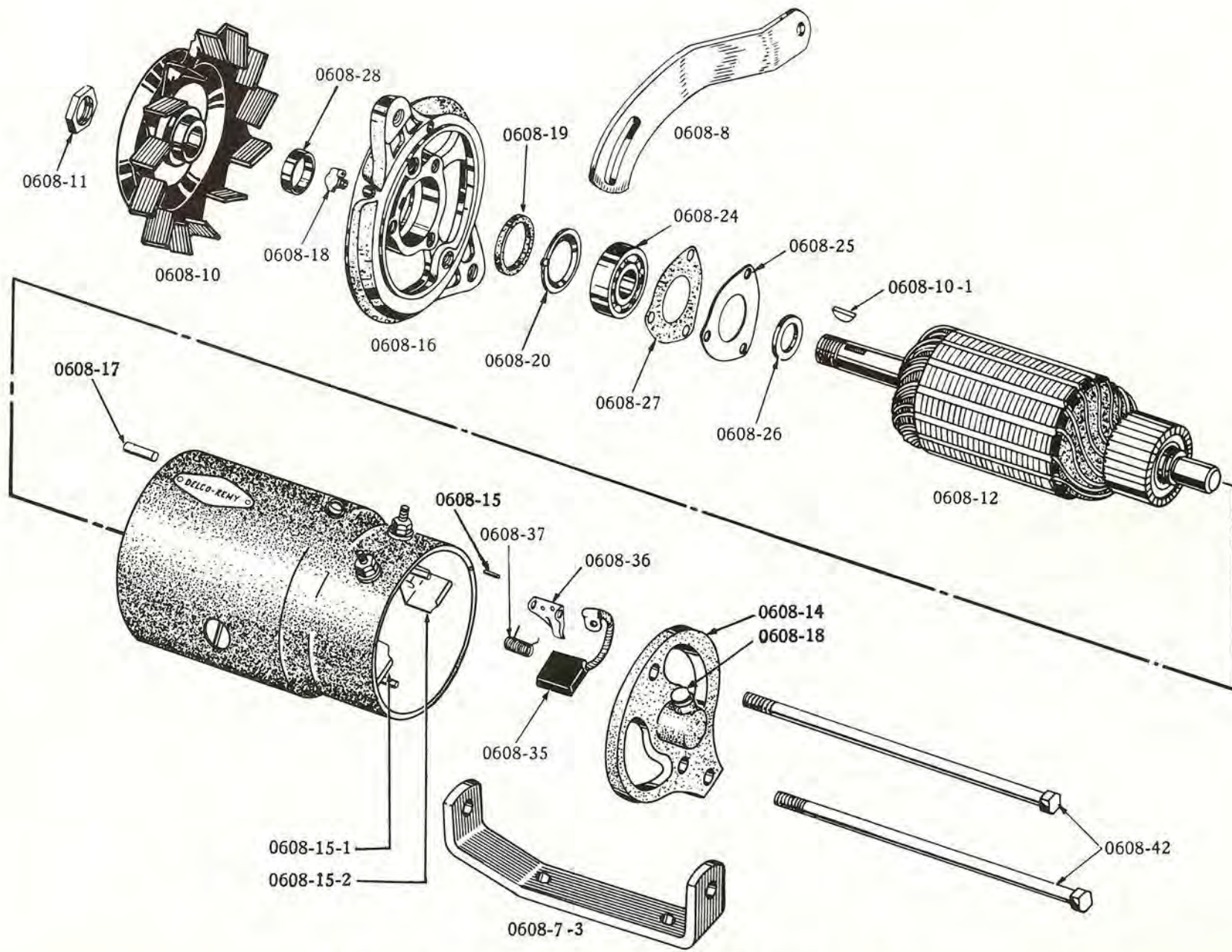
DISTRIBUTOR - Model 4H



STARTER MOTOR - Models H, 3H, 4H



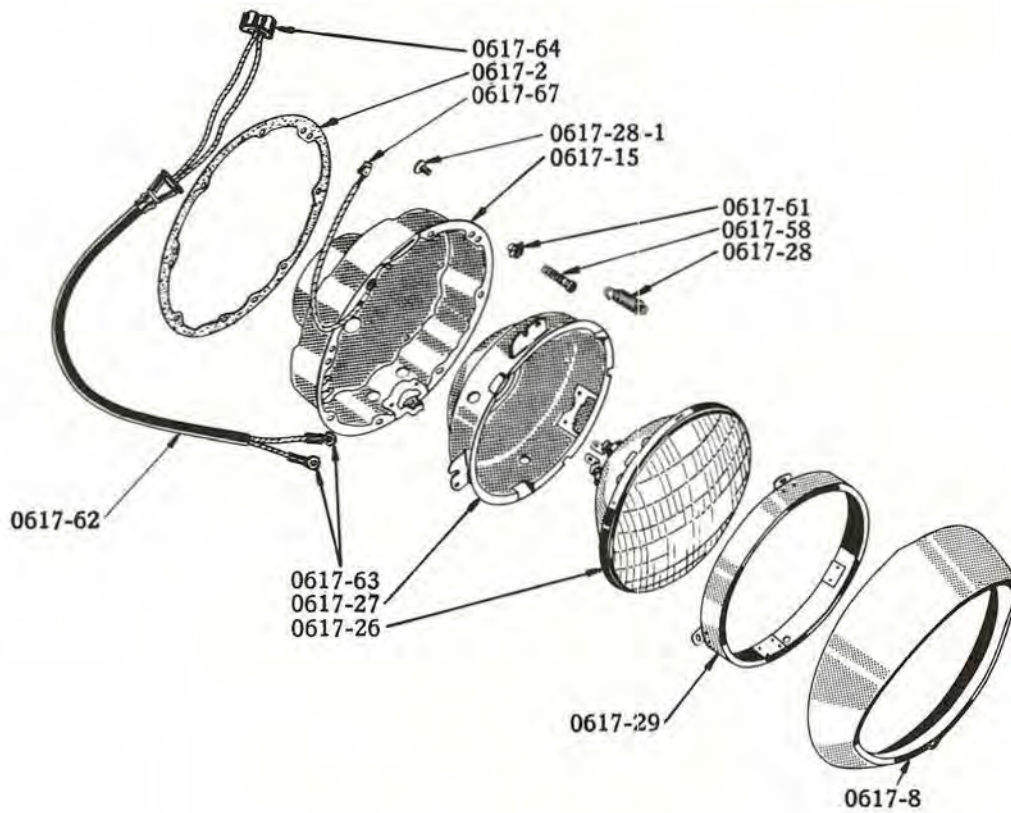
GENERATOR - Models H, *3H, *4H (*Canada)



GENERATOR - Models 3H, 4H - U. S. A.

ELECTRICAL

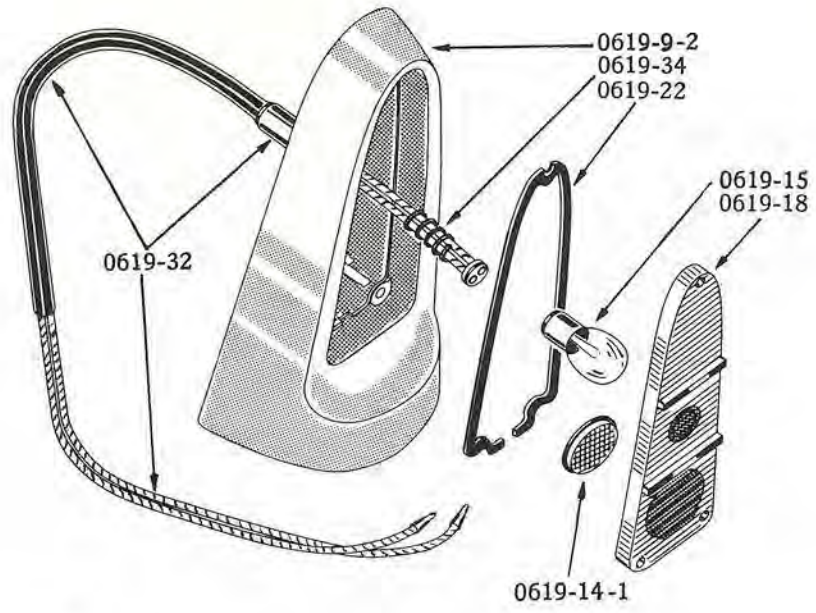
Plate 06-13



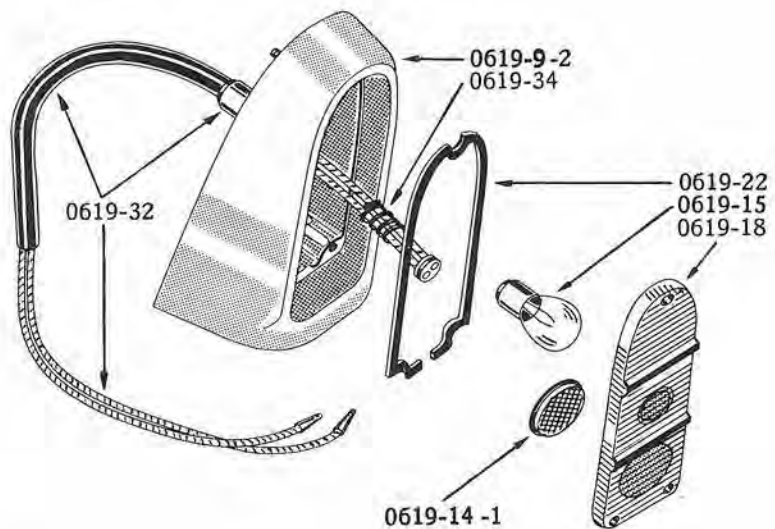
HEAD LAMP - Models 14G, 4H

ELECTRICAL

Plate 06-15

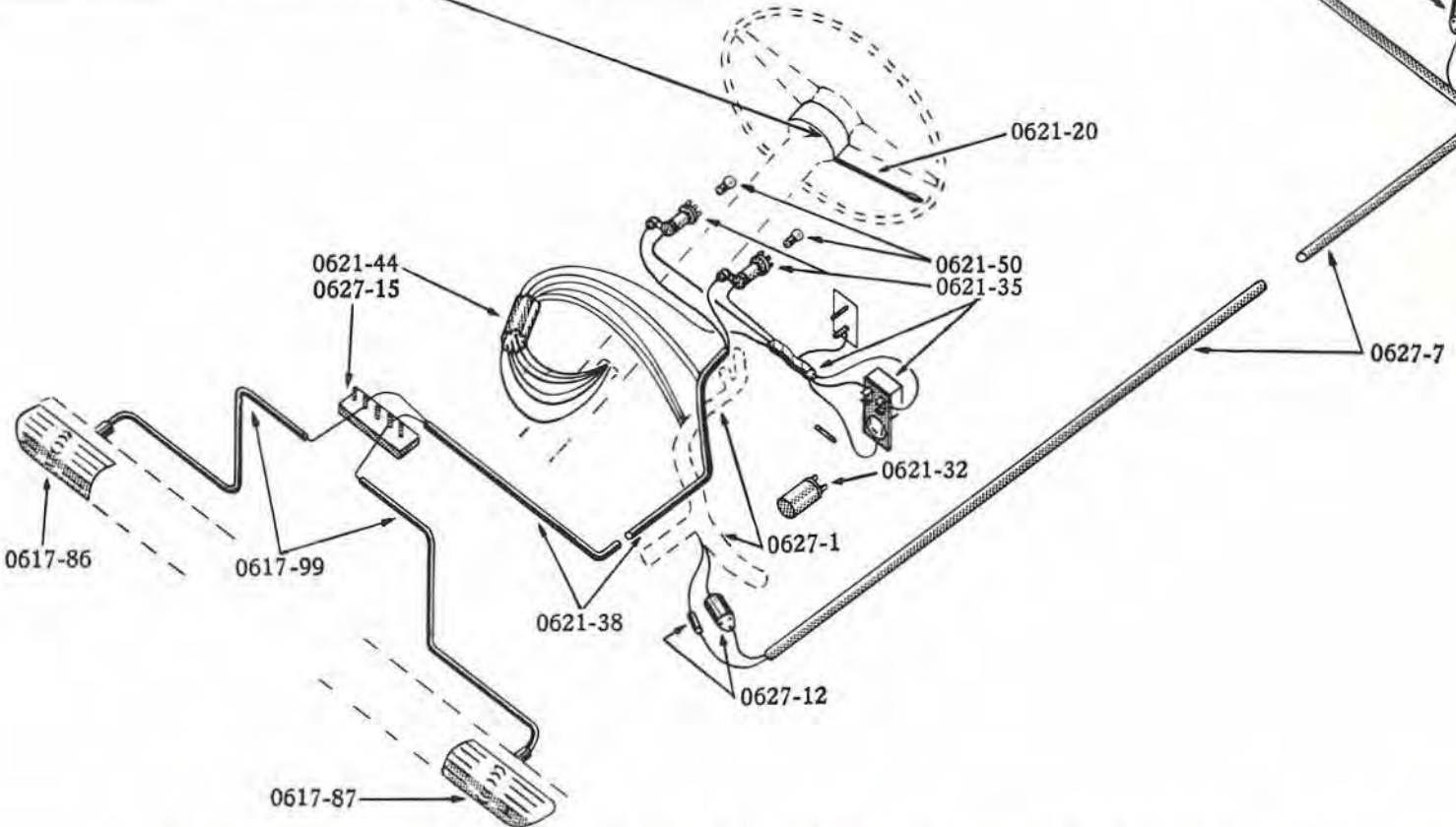
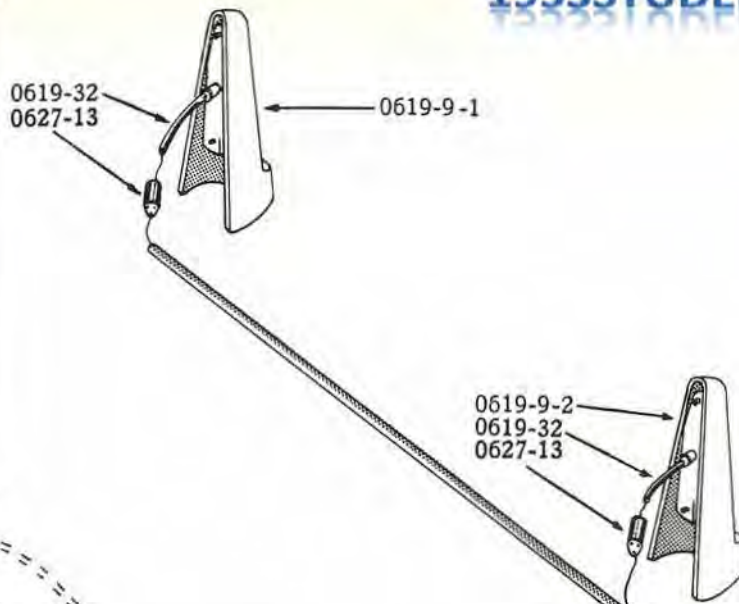
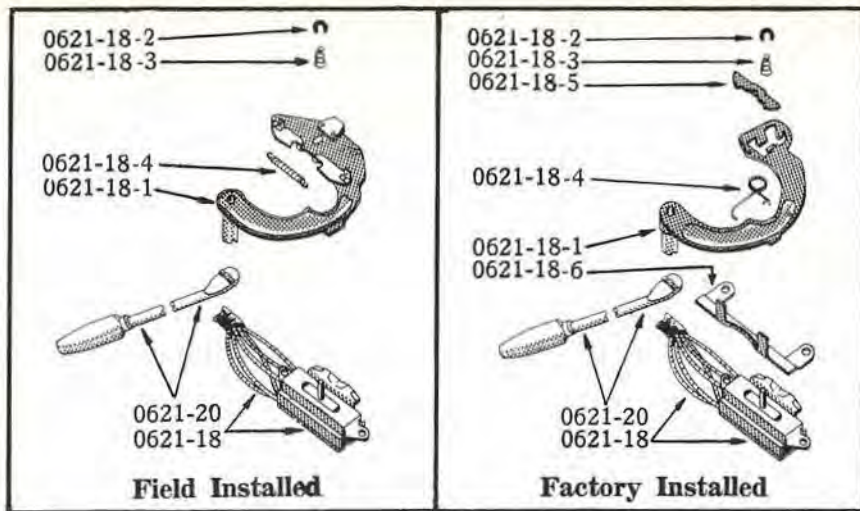


MODELS 14G — 4H-W-F-Y



MODELS 14G — 4H-C-K

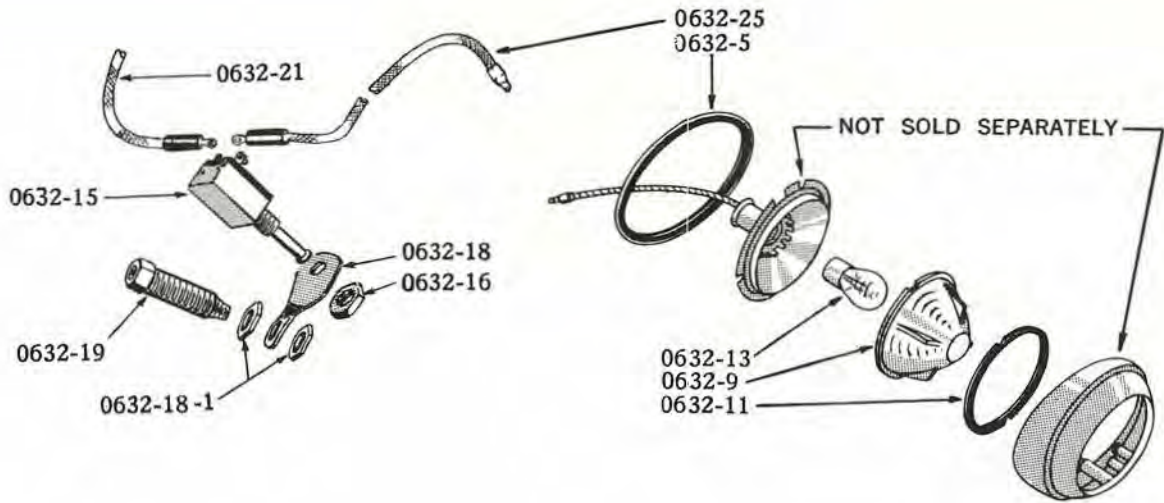
TAIL LAMPS



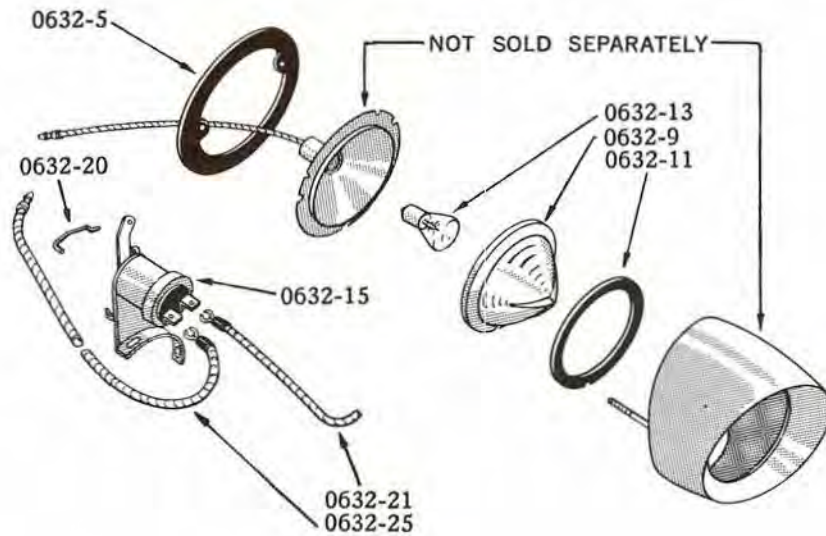
DIRECTIONAL SIGNALS and CONTROLS - Models 14G, 4H

ELECTRICAL

Plate 06-19



MODELS 10G, 12G — H, 3H



MODELS 14G — 4H

BACK-UP LAMPS and CONTROLS

0601

ELECTRICAL

ILLUST. NUMBER	PART NUMBER	CHANGE	DESCRIPTION	MODELS	PER CAR
<p>0601- IGNITION DISTRIBUTOR, CONDENSER AND SPARK ADVANCE MODIFIER (Plates 06-1, 2, 3, 4, 5, 6)</p> <p>PARTS NOT LISTED MAY BE ORDERED BY DESCRIPTION FROM THE NEAREST STUDEBAKER CORPORATION PARTS DEPOT.</p>					
0601-1	530224		DISTRIBUTOR COMPLETE W/MODIFIER, IGNITION	10G, 12G, 14G	1
	1-048		SCREW, TO LOCK PLATE 1/4"-20X1/2".	10G, 12G, 14G	1
	----		WASHER, PLAIN 1/4".	10G, 12G, 14G	1
	----		WASHER, LOCK 1/4".	10G, 12G, 14G	1
0601-2	526866		LOCK PLATE	10G, 12G, 14G	1
	----		SCREW, TO BLOCK 1/4"-20X5/8".	10G, 12G, 14G	1
	----		WASHER, PLAIN 1/4".	10G, 12G, 14G	1
	----		WASHER, LOCK 1/4".	10G, 12G, 14G	1
0601-1	529098		DISTRIBUTOR COMPLETE W/MODIFIER, IGNITION - NOTE 1.	H	1
0601-1	531604		DISTRIBUTOR COMPLETE W/MODIFIER, IGNITION - NOTE 2.	H, 3H.	1
0601-1	532971		DISTRIBUTOR COMPLETE W/MODIFIER, IGNITION (INCL. DRIVE SHAFT, COUPLING AND DRIVE GEAR).	4H.	1
0601-2	527204		LOCK PLATE	H, 3H.	1
0601-2	532491		LOCK PLATE	4H.	1
	1-0520		SCREW, TO SUPPORT 5/16"-18X1 1/4".	H, 3H.	1
	1-0516		SCREW, TO BLOCK 5/16"-18X1".	4H.	1
	380-05		WASHER, LOCK 5/16".	H, 3H, 4H	1
0601-3	510131		GASKET, DISTRIBUTOR	10G, 12G, 14G	1
0601-3	527208		GASKET, DISTRIBUTOR	H, 3H.	1
0601-3	533010		GASKET, DISTRIBUTOR	4H.	1
0601-4	527926		STUD, DISTRIBUTOR TERMINAL.	10G, 12G, 14G	1
0601-5	527338		BUSHING, INSULATING.	10G, 12G, 14G	1
0601-7	527339		WASHER, INSIDE, INSULATING.	10G, 12G, 14G	1
0601-8	175966		WASHER, OUTSIDE, INSULATING.	10G, 12G, 14G	1
	280-#10		NUT, HEX. No. 10-32.	10G, 12G, 14G	2
	----		WASHER, LOCK No. 10	10G, 12G, 14G	2
0601-4	901882		STUD, DISTRIBUTOR TERMINAL.	H, 3H, 4H	1
0601-5	526892		BUSHING, INSIDE.	H, 3H, 4H	1
0601-6	526891		BUSHING, OUTSIDE	H, 3H, 4H	1
	279-#8		NUT, OUTSIDE TERMINAL No. 8-32	H, 3H, 4H	1
0601-7	526890		LOCK CLIP	H, 3H, 4H	1
	157580		NUT, INSIDE TERMINAL	H, 3H, 4H	1
	380-#8		WASHER, LOCK No. 8.	H, 3H, 4H	1
0601-9	527427		TERMINAL, TRANSMISSION OVERDRIVE CABLES	10G, 12G, 14G, H, 3H.	1
0601-10	527428		HOUSING, TERMINAL.	10G, 12G, 14G, H, 3H.	1
0601-10-1	527075		SUPPORT COMPLETE, DISTRIBUTOR (INCL. DRIVE SHAFT, COUPLING AND DRIVE GEAR) (ILLUST. PLATE 01-5).	H, 3H.	1
0601-10-2	527077		SUPPORT, DISTRIBUTOR.	H, 3H.	1
	1-0512		SCREW, TO BLOCK 5/16"-18X3/4".	H, 3H.	2
	380-05		WASHER, LOCK 5/16".	H, 3H.	2
0601-10-3	527214		GASKET, DISTRIBUTOR SUPPORT	H, 3H.	1
0601-11	530225		CAP, DISTRIBUTOR.	10G, 12G, 14G	1
0601-11	530937		CAP, DISTRIBUTOR.	H, 3H, 4H	1
0601-12	175976		SPRING AND SUPPORT, RETAINER	10G, 12G, 14G	2
0601-12-1	530938		SPRING, RETAINER	H, 3H, 4H	2
0601-12-2	901872		SUPPORT, SPRING	H, 3H, 4H	2
	55-#8-8		SCREW, TO BASE No. 8-32X1/2".	H, 3H, 4H	2
	380-#8		WASHER, LOCK No. 8.	H, 3H, 4H	2
0601-15	530226		ROTOR, DISTRIBUTOR.	10G, 12G, 14G	1
0601-15	530939		ROTOR, DISTRIBUTOR.	H, 3H.	1
0601-15	533942		ROTOR, DISTRIBUTOR.	4H.	1

NOTES { 1 - USED BEFORE ENGINE NO. V-99.954.
2 - USED ON AND AFTER ENGINE NO. IN NOTE 1.

ELECTRICAL

0601

ILLUST. NUMBER	PART NUMBER	CHANGE	DESCRIPTION	MODELS	PER CAR
0601- IGNITION DISTRIBUTOR, CONDENSER AND SPARK ADVANCE MODIFIER-Cont'd.					
(Plates 06-1, 2, 3, 4, 5, 6)					
0601-16	527401		POINT SET, DISTRIBUTOR CONTACT (CONSISTS OF CONTACT ARM AND PLATE WITH POINTS)	10G, 12G, 14G	1
	905825		SCREW, CONTACT ARM SPRING No. 6-32X3/16"	10G, 12G, 14G	1
	----		WASHER, LOCK No. 6	10G, 12G, 14G	1
	----		SCREW, CONTACT PLATE No. 8-32X3/16"	10G	1
	361-#8		WASHER, PLAIN No. 8	10G	1
	----		SCREW, CONTACT PLATE No. 8-32X1/4"	12G, 14G	1
	----		WASHER, PLAIN No. 8	12G, 14G	1
0601-16	530943		POINT SET, DISTRIBUTOR CONTACT (CONSISTS OF CONTACT ARM AND PLATE WITH POINTS)	H, 3H, 4H	1
	526982		SCREW, CONTACT ARM SPRING	H, 3H, 4H	1
	157580		NUT	H, 3H, 4H	1
0601-18	526983		LOCK CLIP	H, 3H, 4H	1
	157579		SCREW, CONTACT PLATE ADJUSTING	H, 3H, 4H	1
0601-20	527351		CABLE, DISTRIBUTOR CONTACT ARM	10G, 12G, 14G	1
0601-20	526885		CABLE, DISTRIBUTOR CONTACT ARM	H, 3H, 4H	1
0601-21	527352		CABLE, DISTRIBUTOR GROUND	10G, 12G, 14G	1
0601-21	530949		CABLE, DISTRIBUTOR GROUND - NOTE 1	H	1
0601-21	531791		CABLE, DISTRIBUTOR GROUND - NOTE 2	H, 3H, 4H	1
	----		SCREW, GROUND CABLE No. 8-32X3/16"	10G, 12G	1
	380-#8		WASHER, LOCK No. 8	10G, 12G	1
0601-24	527331		CONDENSER, DISTRIBUTOR	10G, 12G, 14G	1
	41-#6-3		SCREW, CABLE TO TERMINAL No. 6-32X3/16"	10G, 12G, 14G	1
	----		WASHER, LOCK No. 6	10G, 12G, 14G	1
0601-24	661926		CONDENSER, DISTRIBUTOR	H, 3H, 4H	1
	----		SCREW, TO BASE PLATE No. 8-32X1/4"	H, 3H, 4H	1
	380-#8		WASHER, LOCK No. 8	H, 3H, 4H	1
0601-25	527400		BASE W/BUSHING, DISTRIBUTOR TIMER	10G, 12G, 14G	1
0601-25	530936		BASE W/BUSHING, DISTRIBUTOR TIMER	H, 3H	1
0601-25	533352		BASE W/BUSHINGS, DISTRIBUTOR TIMER	4H	1
0601-25-1	533355		BUSHING, UPPER, TIMER BASE	4H	1
0601-25-2	533356		BUSHING, LOWER, TIMER BASE	4H	1
0601-26	527343		OILER, DISTRIBUTOR	10G, 12G, 14G	1
0601-26	533353		OILER, DISTRIBUTOR	4H	1
0601-26-1	527329		OIL WICK	10G, 12G, 14G	1
0601-26-1	533354		OIL WICK	4H	1
	----		PLUG, PIPE 1/8"	H, 3H	1
0601-27	527333		PLATE, DISTRIBUTOR TIMER BASE	10G, 12G, 14G	1
0601-27	530944		PLATE, DISTRIBUTOR TIMER BASE	H, 3H, 4H	1
	----		SCREW, TO BASE No. 8-32X5/16"	10G, H	1
	----		SCREW, TO BASE No. 8-32X3/16"	12G, 14G	1
	----		SCREW, TO BASE No. 8-32X3/8"	3H, 4H	1
	380-#8		WASHER, LOCK No. 8	10G, 12G, 14G, H, 3H, 4H	1
0601-27-1	527559		WASHER, SPRING TENSION	H, 3H, 4H	1
0601-27-2	527558		WASHER, INSULATING	H, 3H, 4H	1
0601-27-3	527560		SHIM, SPACING .010"	H, 3H, 4H	*
0601-27-4	527561		WASHER, CLAMP	H, 3H, 4H	1
0601-27-5	533359		WASHER, RETAINING	4H	1
0601-27-6	533360		SPRING, SIDE PRESSURE	H, 3H, 4H	1

NOTES { * - USE AS REQUIRED.
 1 - USED BEFORE ENGINE NO. V-99,954.
 2 - USED ON AND AFTER ENGINE NO. IN NOTE 1.

0601

ELECTRICAL

ILLUST. NUMBER	PART NUMBER	CHANGE ✓	DESCRIPTION	MODELS	PER CAR
0601- IGNITION DISTRIBUTOR, CONDENSER AND SPARK ADVANCE MODIFIER-Cont'd.					
(Plates 06-1, 2, 3, 4, 5, 6)					
0601-30	527336		CAMSHAFT AND CAM, DISTRIBUTOR TIMER.	10G, 12G, 14G	1
0601-30	530941		CAMSHAFT AND CAM, DISTRIBUTOR TIMER.	H, 3H.	1
0601-30	533358		CAMSHAFT AND CAM, DISTRIBUTOR TIMER.	4H.	1
0601-31	513666		LOCK RING	10G, 12G, 14G	1
0601-31-1	905833		OIL WICK.	10G, 12G, 14G	1
0601-31-1	157607		OIL WICK.	H, 3H, 4H	1
0601-32	513667		SPACER, DISTRIBUTOR TIMER CAMSHAFT	10G, 12G, 14G	1
0601-33	527335		SHAFT LESS WEIGHTS, DISTRIBUTOR.	10G, 12G, 14G	1
0601-33	530940		SHAFT LESS WEIGHTS, DISTRIBUTOR.	H, 3H.	1
0601-33	533357		SHAFT LESS WEIGHTS, DISTRIBUTOR.	4H.	1
0601-34	527078		SHAFT W/COUPLING, DISTRIBUTOR DRIVE.	H, 3H.	1
0601-34	533361		SHAFT W/COUPLING, DISTRIBUTOR DRIVE.	4H.	1
0601-34-2	533362		PIN, TO DISTRIBUTOR SHAFT 1/8"X27/32"	4H.	1
0601-34-1	----		COUPLING, DISTRIBUTOR DRIVE SHAFT (FEMALE) (USE 527078 SHAFT)	H, 3H.	1
	446-0416		PIN, TO SHAFT 1/4"X1"	H, 3H.	1
0601-35	106635		THRUST WASHER, UPPER, DISTRIBUTOR SHAFT.	4H.	1
0601-35-1	527332		THRUST WASHER, UPPER, LARGE, DISTRIBUTOR SHAFT	10G, 12G, 14G	1
0601-35-2	527337		THRUST WASHER, UPPER, SMALL, DISTRIBUTOR SHAFT	10G, 12G, 14G	1
0601-36	177413		THRUST WASHER, LOWER, DISTRIBUTOR SHAFT.	10G, 12G, 14G	1
0601-36	530947		THRUST WASHER, LOWER, DISTRIBUTOR SHAFT.	H, 3H.	1
0601-36	533367		THRUST WASHER, LOWER, DISTRIBUTOR SHAFT.	4H.	1
0601-36-1	533365		WASHER, SHIM, DISTRIBUTOR SHAFT .005" THICK.	4H.	*
0601-36-1	533366		WASHER, SHIM, DISTRIBUTOR SHAFT .010" THICK.	4H.	*
0601-36-2	530948		WASHER, SPRING, DISTRIBUTOR SHAFT.	H, 3H.	1
0601-37	516196		WEIGHT, DISTRIBUTOR TIMER.	10G, 12G, 14G	2
0601-37	526887		WEIGHT, DISTRIBUTOR TIMER.	H, 3H.	2
0601-37	901878		WEIGHT, DISTRIBUTOR TIMER.	4H.	2
0601-38	516197		SPRING SET, DISTRIBUTOR TIMER WEIGHT (2 SPRINGS)	10G, 12G, 14G	1
0601-38	530945		SPRING, DISTRIBUTOR TIMER WEIGHT - NOTE 1.	H, 4H.	2
0601-38	531759		SPRING SET, DISTRIBUTOR TIMER WEIGHT (2 SPRINGS) NOTE 2.	H, 3H.	1
0601-39	516199		SPRING, DISTRIBUTOR TIMER WEIGHT GOVERNOR CONTROL.	10G, 12G, 14G	1
0601-40	526889		PLATE, DISTRIBUTOR TIMER WEIGHT HOLD DOWN.	H, 3H, 4H	1
	280-#10		NUT, HEX. No. 10-32	H, 3H, 4H	2
0601-40-1	526984		WASHER, LOCK No. 10.	H, 3H, 4H	2
0601-41	175975		COLLAR, DISTRIBUTOR SHAFT.	10G, 12G, 14G	1
0601-42	----		PIN, TO SHAFT 1/8"X7/8"	10G, 12G, 14G	1
0601-43	530957		COUPLING, DISTRIBUTOR SHAFT - MALE	H, 3H.	1
0601-43-1	530946		PIN, TO SHAFT	H, 3H.	1
0601-44	527081		GEAR, DISTRIBUTOR AND OIL PUMP DRIVE SHAFT	H, 3H.	1
0601-44	533363		GEAR, DISTRIBUTOR AND OIL PUMP DRIVE SHAFT	4H.	1
0601-44-1	156090		PIN, TO SHAFT 3/16"X27/32".	H, 3H.	1
0601-44-1	533364		PIN, TO SHAFT 3/16"X1 1/16"	4H.	1
0601-45	527341		SPARK MODIFIER	10G, 12G, 14G	1
	----		SCREW, TO BASE No. 10-32X1/4"	10G, 12G, 14G	2
	384-#10		WASHER, SHAKEPROOF No. 10.	10G, 12G, 14G	2
0601-46	527330		LOCK RING, CONTROL ARM TO PLATE	10G, 12G, 14G	1

NOTES { * - USE AS REQUIRED.
1 - USED ON MODEL H BEFORE ENGINE NO. V-99,954.
2 - USED ON MODEL H ON AND AFTER ENGINE NO. IN NOTE 1.

ELECTRICAL

0602

ILLUST. NUMBER	PART NUMBER	CHANGE	DESCRIPTION	MODELS	PER CAR
0601- IGNITION DISTRIBUTOR, CONDENSER AND SPARK ADVANCE MODIFIER-Cont'd.					
(Plates 06-1, 2, 3, 4, 5, 6)					
0601-45	530673		SPARK MODIFIER	H, 3H, 4H	1
	56-#10-8		SCREW, TO BASE No. 10-32X1/2"	H, 3H, 4H	2
	----		WASHER, LOCK No. 10.	H, 3H, 4H	2
	----		SCREW, CONTROL ARM TO PLATE No. 6-32X1/4"	H, 3H, 4H	1
	----		WASHER, LOCK No. 6	H, 3H, 4H	1
0601-45-1	531017		GASKET, SPARK MODIFIER TO BASE	H, 3H, 4H	1
0601-49	527334		SPRING, SPARK MODIFIER	10G, 12G, 14G	1
0601-49	530950		SPRING, SPARK MODIFIER	H, 3H, 4H	1
0601-50	527353X1		WASHER, CALIBRATING .010.	10G, 12G, 14G	*
0601-50	527353X2		WASHER, CALIBRATING .032.	10G, 12G, 14G	*
0601-50	527353X3		WASHER, CALIBRATING .065.	10G, 12G, 14G	*
0601-51	527342		FITTING, SPARK MODIFIER SUCTION.	10G, 12G, 14G	1
0601-51	526975		FITTING, SPARK MODIFIER SUCTION.	H, 3H, 4H	1
0601-52	527303		GASKET, COMPOSITION	10G, 12G, 14G	1
0601-52	174545		GASKET, COMPOSITION	H, 3H, 4H	1
	514133		ELBOW, SPARK MODIFIER TO CARBURETER PIPE - CARB. END	10G, 12G	1
	520-03		ELBOW, SPARK MODIFIER TO CARBURETER PIPE - CARB. END	14G	1
	518-03		NIPPLE, SPARK MODIFIER TO CARBURETER PIPE - CARB. END.	H, 3H, 4H	1
0601-67	526895		PIPE W/NUTS, SPARK MODIFIER 3/16"X33 11/16" (ILLUST. PLATE 01-1)	10G, 12G, 14G	1
	530300		PIPE W/NUTS, SPARK MODIFIER 3/16"X11 1/2".	H, 3H.	1
	532566		PIPE W/NUTS, SPARK MODIFIER 3/16"X15 3/4".	4H.	1
	515-03		NUT, PIPE 3/16"	10G, 12G, 14G, H, 3H, 4H	2
	519846		CLIP.	10G, 12G, 14G	1
0602- IGNITION COIL, SWITCH AND LOCK					
(Plates 06-1, 2, 3, 4)					
0602-1	519977		COIL, IGNITION	10G, 12G, 14G	1
0602-1	530956		COIL, IGNITION	H, 3H.	1
0602-1	533064		COIL, IGNITION	4H.	1
	614-#14-8		SCREW, TO DASH No. 14X1/2".	H, 3H, 4H	2
	2-0410		BOLT, TO BRACKET 1/4"-28X5/8"	10G, 12G, 14G	2
	252-04		NUT, HEX. 1/4"-28.	10G, 12G, 14G	2
	----		WASHER, PLAIN 1/4"	10G, 12G, 14G, 4H.	2
	----		WASHER, LOCK 1/4".	10G, 12G, 14G	2
	280-#10		NUT, TERMINAL No. 10-32	10G, 12G, 14G, H, 3H, 4H	2
	----		WASHER, LOCK No. 10.	10G, 12G, 14G	2
	526976		WASHER, LOCK No. 10.	H, 3H, 4H	2
			BRACKET, IGNITION COIL - LHC (for Models 10G, 12G, 14G) (see throttle control bell crank and bracket - Group 0312)		
	526799		BRACKET, IGNITION COIL - RHC (FASTENED WITH CYL. HEAD SCREW).	10G, 12G, 14G	1
0602-2	▲ 519923		SWITCH LESS LOCK AND KEYS. IGNITION "EXHAUST STOCK THEN USE 521007"	10G, 12G	1
0602-2	521007		SWITCH LESS LOCK AND KEYS. IGNITION.	10G, 12G	1
0602-2	524636		SWITCH LESS LOCK AND KEYS. IGNITION - LHC.	H, 3H.	1
	526635		SWITCH LESS LOCK AND KEYS. IGNITION - RHC.	H, 3H.	1
0602-2	532500		SWITCH LESS LOCK AND KEYS. IGNITION.	14G 4H.	1
	532501		RETAINER OR BEZEL, MOUNTING	14G, 4H.	1
	532502		SPRING, TENSION	14G, 4H.	1

NOTES { ▲ - NOT AVAILABLE.
* - USE AS REQUIRED.

0602

ELECTRICAL

ILLUST. NUMBER	PART NUMBER	CHANGE	DESCRIPTION	MODELS	PER CAR
0602- IGNITION COIL, SWITCH AND LOCK (Plates 06-1, 2, 3, 4)					
		SCREW, MOUNTING No. 10-24X1/2 - RHC	H, 3H.	1
	519987		NUT, MOUNTING (SPECIAL)	10G, 12G	1
	521053		NUT, MOUNTING (SPECIAL) - LHC	H, 3H.	1
	280-#10		NUT, TERMINAL No. 10-32	10G, 12G, 14G, H, 3H, 4H	3
		WASHER, LOCK No. 10.	10G, 12G, 14G, H, 3H, 4H	3
	190580		LOCK CYLINDER W/KEYS, IGNITION	10G, 12G, 14G	1
	521051		LOCK CYLINDER W/KEYS, IGNITION	H, 3H.	1
	532853		LOCK CYLINDER W/KEYS, IGNITION	4H.	1
0602-4	525809		KEY, IGNITION LOCK	10G, 12G, 14G	2
0602-4	525931		KEY, IGNITION LOCK	H, 3H, 4H	2
0602-7	526170		SHIELD, IGNITION SWITCH TERMINAL (PLASTIC)	10G, 12G, H, 3H.	1
	280-#10		NUT, TO TERMINAL No. 10-32.	10G, 12G, H, 3H.	2
	361-#10		WASHER, PLAIN No. 10	10G, 12G, H, 3H.	2
		WASHER, LOCK No. 10.	10G, 12G, H, 3H.	2
	384-#10		WASHER, SHAKEPROOF No. 10.	10G, 12G, H, 3H.	2
0603- SPARK PLUG AND DISTRIBUTOR CABLES (Plates 01-1, 2, 3, 5)					
0603-1	AC-2275		SPARK PLUG, 14MM - CHAMPION No. J7	10G, 12G, 14G	6
0603-1	AC-2276		SPARK PLUG, 14MM - CHAMPION No. J8	10G, 12G, 14G	6
0603-1	AC-2278		SPARK PLUG, 14MM - CHAMPION No. H8	H, 3H, 4H	8
0603-1	AC-2279		SPARK PLUG, 14MM - CHAMPION No. H10.	H, 3H, 4H	8
0603-1	AC-2280		SPARK PLUG, 14MM - CHAMPION No. H11.	H, 3H, 4H	8
	512453		GASKET, SPARK PLUG - COPPER.	10G, 12G, 14G	6
	512453		GASKET, SPARK PLUG - COPPER.	H, 3H, 4H	8
	S-19		CABLE, HIGH TENSION (50 FOOT SPOOL).	10G, 12G, 14G, H, 3H, 4H	*
	S-20		CABLE, HIGH TENSION (100 FOOT SPOOL)	10G, 12G, 14G, H, 3H, 4H	*
	531808		CABLE SET, IGNITION (CONSISTS OF SPARK PLUG CABLES).	10G, 12G	1
	533528		CABLE SET, IGNITION } CONSISTS OF SPARK PLUG	14G	1
	531123		CABLE SET, IGNITION } AND DISTRIBUTOR TO COIL.	H, 3H.	1
	533573		CABLE SET, IGNITION } HIGH TENSION CABLE	4H.	1
	531638X5		CABLE, SPARK PLUG (INCL. IN 531808 AND 533528 CABLE SETS).	10G, 12G, 14G	6
	531611X4		CABLE, SPARK PLUG (INCL. IN 531123 CABLE SET).	H, 3H.	8
	533006X2		CABLE, SPARK PLUG (INCL. IN 533573 CABLE SET).	4H.	8
	532983		CABLE, DISTRIBUTOR TO COIL HIGH TENSION 10 3/8" LONG	10G, 12G, 14G, H, 3H, 4H	1
0603-4	513107		CABLE, DISTRIBUTOR TO COIL LOW TENSION 7" LONG	10G, 12G, 14G, H, 3H.	1
0603-4	533082		CABLE, DISTRIBUTOR TO COIL LOW TENSION 11 1/2" LONG.	4H.	1
	173426		CLIP, LOW TENSION CABLE.	4H.	1
	651-#14-8		SCREW, TO DASH No. 14X1/2" } W-F-Y	4H.	1
	172938		TERMINAL, SPARK PLUG CABLE } SPARK PLUG END	10G	6
	178594		TERMINAL, SPARK PLUG CABLE }	H	8
	529413		TERMINAL, SPARK PLUG CABLE } DISTRIBUTOR END	10G, 12G, 14G	6
	529413		TERMINAL, SPARK PLUG CABLE }	H, 3H, 4H	8
	529413		TERMINAL, DISTRIBUTOR TO COIL HIGH TENSION CABLE	10G, 12G, 14G, H, 3H, 4H	2
	256115		TERMINAL, DISTRIBUTOR TO COIL LOW TENSION CABLE.	10G, 12G, 14G, H, 3H, 4H	2
	44961		NIPPLE, HIGH TENSION CABLE	10G, 12G, 14G	8
	44961		NIPPLE, HIGH TENSION CABLE (DISTRIBUTOR END)	H, 3H, 4H	9
	526794		NIPPLE, HIGH TENSION CABLE (COIL END).	H, 3H, 4H	1

NOTE { * * USE AS REQUIRED.

ELECTRICAL

0606

ILLUST. NUMBER	PART NUMBER	CHANGE	DESCRIPTION	MODELS	PER CAR
0603- SPARK PLUG AND DISTRIBUTOR CABLES					
(Plates 01-1, 2, 3, 5)					
	675098		BRACKET, SPARK PLUG CABLES	10G, 12G, 14G	1
0603-7	529486		BRACKET, RIGHT, SPARK PLUG CABLES (ILLUST. PLATE 01-2)	H	1
	529487		BRACKET, LEFT, SPARK PLUG CABLES	H	1
0603-7	531958		BRACKET, RIGHT, SPARK PLUG CABLES (ILLUST. PLATE 01-2)	3H	1
	531959		BRACKET, LEFT, SPARK PLUG CABLES	3H	1
	533001		BRACKET, SPARK PLUG CABLES (LEFT SIDE)	4H	1
	533007		CLIP, RIGHT FRONT, SPARK PLUG CABLES	4H	1
	533008		CLIP, RIGHT REAR, SPARK PLUG CABLES	4H	1
	172653		CLIP, LEFT FRONT, SPARK PLUG CABLES	4H	1
	533007		CLIP, LEFT REAR, SPARK PLUG CABLES	4H	1
0606- STARTER MOTOR (Plates 06-1, 2, 3, 4, 7, 8)					
PARTS NOT LISTED MAY BE ORDERED BY DESCRIPTION FROM THE NEAREST STUDEBAKER CORPORATION PARTS DEPOT					
0606-1	526214		STARTER MOTOR, ASSEMBLY	10G, 12G, 14G	1
0606-1	679306		STARTER MOTOR, ASSEMBLY (EXCEPT AD)	H	1
0606-1	529425		STARTER MOTOR, ASSEMBLY (WITH AD)	H	1
0606-1	531608		STARTER MOTOR, ASSEMBLY (EXCEPT AD)	3H, 4H	1
0606-1	531609		STARTER MOTOR, ASSEMBLY (WITH AD)	3H, 4H	1
	252-05		NUT, TERMINAL 5/16"*.24	10G, 12G, 14G	1
	380-05		WASHER, LOCK 5/16"	10G, 12G, 14G	1
	255-06		NUT, TERMINAL 3/8"*.16	H, 3H, 4H	1
	380-06		WASHER, LOCK 3/8"	H, 3H, 4H	1
	1-0724		SCREW, TO CLUTCH HOUSING 7/16"*.14X1 1/2"	10G, 12G, 14G	2
	380-07		WASHER, LOCK 7/16"	10G, 12G, 14G	2
	529367		BOLT, TO CLUTCH HOUSING	H, 3H, 4H	2
	252-07		NUT, HEX. 7/16"*.20	H, 3H, 4H	2
	380-07		WASHER, LOCK 7/16"	H, 3H, 4H	2
0606-5	521885		ARMATURE, STARTER MOTOR	10G, 12G, 14G	1
0606-5	526875		ARMATURE, STARTER MOTOR	H, 3H, 4H	1
0606-6	510774		THRUST WASHER, STARTER MOTOR ARMATURE	10G, 12G, 14G	2
0606-6	45210		THRUST WASHER, STARTER MOTOR ARMATURE	H, 3H, 4H	1
0606-7	188627		SPACER, STARTER MOTOR ARMATURE	10G, 12G, 14G	1
0606-8	521886		PLATE, STARTER MOTOR COMMUTATOR END	10G, 12G, 14G	1
	----		SCREW, TO FRAME No. 10-32X3/8"	10G, 12G, 14G	4
	----		WASHER, LOCK No. 10	10G, 12G, 14G	4
0606-8	526876		PLATE, STARTER MOTOR COMMUTATOR END	H, 3H, 4H	1
0606-9	----		DOWEL, PIN 1/8"X11/32"	H, 3H, 4H	1
0606-10	635247		OILER, STARTER MOTOR COMMUTATOR END PLATE	H, 3H, 4H	1
0606-11	157601		OIL WICK	H, 3H, 4H	1
0606-12	521887		SHIELD, STARTER MOTOR COMMUTATOR	10G, 12G, 14G	1
0606-12	157604		SHIELD, STARTER MOTOR COMMUTATOR	H, 3H, 4H	1
	56-#10-24		BOLT, CLAMPING No. 10-32X1 1/2"	10G, 12G, 14G	1
	280-#10		NUT, HEX. No. 10-32	10G, 12G, 14G	1
0606-13	197307		BRUSH, STARTER MOTOR FIELD END	10G, 12G, 14G	2
0606-14	524262		BRUSH, STARTER MOTOR GROUNDED	10G, 12G, 14G	2
0606-13	123577		BRUSH, STARTER MOTOR	H, 3H, 4H	4
	55-#6-8		SCREW, TO PLATE No. 6-32X1/2"	H, 3H, 4H	4
	----		WASHER, LOCK No. 6	H, 3H, 4H	4
0606-15	176203		SPRING, STARTER MOTOR BRUSH	10G, 12G, 14G	4
0606-15	131980		SPRING, STARTER MOTOR BRUSH	H, 3H, 4H	4

0606

ELECTRICAL

ILLUST. NUMBER	PART NUMBER	CHANGE	DESCRIPTION	MODELS	PER CAR
0606- STARTER MOTOR-Cont'd. (Plates 06-1, 2, 3, 4, 7, 8)					
0606-18	113368		HOLDER, STARTER MOTOR BRUSH	H, 3H, 4H	4
0606-19	113370		CABLE, STARTER MOTOR BRUSH GROUND	H, 3H, 4H	2
0606-20	157587		CABLE, STARTER MOTOR BRUSH FIELD	H, 3H, 4H	1
	----		SCREW, TO GROUND No. 8-32X1/4"	H, 3H, 4H	2
	----		SCREW, TO FIELD No. 10-32X1/4"	H, 3H, 4H	1
	380-#8		WASHER, LOCK No. 8	H, 3H, 4H	2
	----		WASHER, LOCK No. 10	H, 3H, 4H	1
0606-16	39409		BOLT, STARTER MOTOR FRAME THRU	H, 3H, 4H	2
	----		WASHER, LOCK 1/4"	H, 3H, 4H	2
0606-17	524261		BEARING, STARTER MOTOR INTERMEDIATE	10G, 12G, 14G	1
	56-#10-8		SCREW, TO HOUSING No. 10-32X1/2"	10G, 12G, 14G	2
	----		WASHER, LOCK No. 10	10G, 12G, 14G	2
0606-21	524260		HOUSING W/BUSHING, BENDIX DRIVE	10G, 12G, 14G	1
0606-21	526877		HOUSING W/BUSHING, BENDIX DRIVE (EXCEPT AD)	H	1
0606-21	530933		HOUSING W/BUSHING, BENDIX DRIVE (WITH AD)	H	1
0606-21	531830		HOUSING W/BUSHING, BENDIX DRIVE (EXCEPT AD)	3H, 4H	1
0606-21	531831		HOUSING W/BUSHING, BENDIX DRIVE (WITH AD)	3H, 4H	1
0606-22	634746		DOWEL, PIN 3/16"X5/16"	H, 3H, 4H	1
	----		SCREW, TO FRAME No. 10-32X7/8"	10G, 12G, 14G	4
	----		WASHER, LOCK No. 10	10G, 12G, 14G	4
0606-23	176208		BUSHING, BENDIX DRIVE HOUSING	10G, 12G, 14G	1
0606-23	131971		BUSHING, BENDIX DRIVE HOUSING	H, 3H, 4H	1
0606-32	521888		BENDIX DRIVE COMPLETE	10G, 12G, 14G, H	1
0606-32	531829		BENDIX DRIVE COMPLETE	3H, 4H	1
0606-33	521893		SCREW, TO ARMATURE 5/16"-24X29/64"	10G, 12G, 14G, H	1
	----		KEY, WOODRUFF No. 6X5/8"	10G, 12G, 14G, H, 3H, 4H	1
0606-34	521889		SPRING, BENDIX DRIVE	10G, 12G, 14G, H	1
0606-38	521894		PLATE, BENDIX DRIVE SPRING	10G, 12G, H	2
0606-38	197316		PLATE, BENDIX DRIVE SPRING	14G	2
0606-39	197317		LOCK RING	10G, 12G, 14G, H	1
0606-40	521895		SCREW SHAFT W/SPRING, BENDIX DRIVE	10G, 12G, 14G, H	1
0606-41	521890		SPRING, COIL	10G, 12G, 14G, H	1
0606-42	521892		PINION AND BARREL, BENDIX DRIVE	10G, 12G, 14G, H	1
0606-43	521891		SPRING, COIL	10G, 12G, 14G, H	1
0606-45	197322		LOCK RING	10G, 12G, 14G, H	1
0606-46	188342		THRUST WASHER, BENDIX DRIVE	H, 3H, 4H	1
0607- STARTER SWITCH (Plates 06-1, 2, 3, 4, 7, 8)					
0607-1	519829		SWITCH, STARTER (ON TOE BOARD) (EXCEPT AD)	10G, 12G, H, 3H	1
0607-1	519829		SWITCH, STARTER (ON TOE BOARD) (EXCEPT AD) LHC	14G, 4H	1
	----		SCREW, TERMINAL No. 8-32X1/4"	10G, 12G, 14G, H, 3H, 4H	1
	----		WASHER, SHAKEPROOF No. 8	10G, 12G, 14G, H, 3H, 4H	1
	55-048		BOLT, TO TOE BOARD 1/4"-20X1/2"	10G, 12G, 14G, H, 3H, 4H	2
	251-04		NUT, HEX. 1/4"-20	10G, 12G, 14G, H, 3H, 4H	2
	----		WASHER, LOCK 1/4"	10G, 12G, 14G, H, 3H, 4H	2
	527663		SWITCH, STARTER (ON INST. BOARD) (WITH AD)	10G, H	1
	531716		SWITCH, STARTER (ON INST. BOARD) (WITH AD)	12G, 3H	1
	513183		SWITCH, STARTER (ON INST. BOARD) (WITH AD) LHC	14G	1
	513183		SWITCH, STARTER (ON INST. BOARD) RHC	14G	1
	532135		SWITCH, STARTER (ON INST. BOARD) (WITH AD) LHC	4H	1
	532135		SWITCH, STARTER (ON INST. BOARD) RHC	4H	1
	527664		NUT, TO BOARD 1/2"-27	10G, H	1
	195594W		SCREW, COLLAR	12G, 3H	1
	221-#10-7		SET SCREW No. 10-24X7/16"	4H	1
	384-08		WASHER, SHAKEPROOF 1/2"	10G, H	1

ELECTRICAL

0608

ILLUST. NUMBER	PART NUMBER	CHANGE	DESCRIPTION	MODELS	PER CAR
0607- STARTER SWITCH-Cont'd. (Plates 06-1, 2, 3, 4, 7, 8)					
	527665		KNOB, STARTER SWITCH (WITH AD)	10G, H	1
	531720W		KNOB, STARTER SWITCH (WITH AD)	12G, 3H.	1
	229-#8-4		SET SCREW, No. 8-32X1/4"	10G, H	1
	----		SET SCREW, No. 10-24X1/4"	12G, 3H.	1
	530295X2		CABLE, STARTER SWITCH GROUND (FOR 513193)	14G	1
	384-#10		WASHER, SH'PRF. No. 10	14G	1
0607-2	191939		SWITCH, STARTER - MAGNETIC (ON STARTER MOTOR)	10G, 12G, 14G	1
0607-2	530039		SWITCH, STARTER - MAGNETIC (ON DASH)	H, 3H.	1
0607-2	532874		SWITCH, STARTER - MAGNETIC (ON DASH) W-F-Y } NOTE 10	4H.	1
0607-2	530039		SWITCH, STARTER - MAGNETIC (ON DASH) C-K } NOTE 10	4H.	1
0607-2	530039		SWITCH, STARTER - MAGNETIC (ON DASH) NOTE 11	4H.	1
	280-#10		NUT, TERMINAL No. 10-32.	10G, 12G, 14G, H, 3H, 4H	1
	----		WASHER, LOCK No. 10	10G, 12G, 14G, H, 3H, 4H	1
	252-05		NUT, TERMINAL 5/16"-24	10G, 12G, 14G, H, 3H, 4H	2
	----		WASHER, SHAKEPROOF 5/16"	10G, 12G, 14G, H, 3H, 4H	2
	----		SCREW, TO STARTER MOTOR No. 10-32X3/8"	10G, 12G, 14G	2
	361-#10		WASHER, PLAIN No. 10.	10G, 12G, 14G	2
	614-#14-8		SCREW, TO DASH No. 14X1/2"	H, 3H, 4H	2
0607-7	519824		CONNECTOR, STARTER SWITCH TO MOTOR (FOR 191939)	10G, 12G, 14G	1
0608- GENERATOR AND REGULATOR					
(Plates 06-1, 2, 3, 4, 9, 10, 11)					
GENERATOR					
0608-1	531422		GENERATOR ASSEMBLY LESS PULLEY.	10G	1
0608-1	531705		GENERATOR ASSEMBLY LESS PULLEY.	12G, 14G	1
0608-1	531385		GENERATOR ASSEMBLY LESS PULLEY.	H	1
0608-1	531635		GENERATOR ASSEMBLY LESS PULLEY - U.S.A.	3H, 4H	1
0608-1	531941		GENERATOR ASSEMBLY WITH PULLEY - CANADA	3H, 4H	1
	252-04		NUT, ARMATURE TERMINAL 1/4"-24	10G, 12G, 14G	1
	280-#10		NUT, FIELD TERMINAL No. 10-32.	10G, 12G, 14G	1
	279-#12		NUT, TERMINAL No. 12-24.	H, 3H, 4H	2
	----		WASHER, LOCK 1/4"	10G, 12G, 14G	1
	----		WASHER, LOCK No. 10	10G, 12G, 14G	2
	380-#12		WASHER, LOCK No. 12	H, 3H, 4H	2
	2-0524		BOLT, FRONT SUPPORT 5/16"-24X1 1/2"	10G, 12G, 14G	1
	2-0516		BOLT, REAR SUPPORT 5/16"-24X1"	10G, 12G, 14G	1
	2-0524		BOLT, SUPPORT 5/16"-24X1 1/2"	H, 3H, 4H	2
	252-05		NUT, HEX. 5/16"-24.	10G, 12G, 14G, H, 3H, 4H	2
	252-05		NUT, LOCK 5/16"-24 (FOR 2-0524)	10G, 12G, 14G	1
	380-05		WASHER, LOCK 5/16"	10G, 12G, 14G, H, 3H, 4H	2
0608-7-3	530620		BRACKET, GENERATOR SUPPORT.	10G, 12G, 14G	1
0608-7-3	529368		BRACKET, GENERATOR SUPPORT.	H	1
0608-7-3	531586		BRACKET, GENERATOR SUPPORT.	3H, 4H	1
	1-0512		SCREW, TO BLOCK 5/16"-18X3/4"	10G, 12G, 14G	2
	203-0522		STUD, TO MANIFOLD 5/16"-18-24X1 3/8"	H, 3H, 4H	2
	252-05		NUT, HEX. 5/16"-24.	H, 3H, 4H	2
	380-05		WASHER, LOCK 5/16"	10G, 12G, 14G, H, 3H, 4H	2
0608-8	679556		ARM, GENERATOR ADJUSTING.	10G, 12G, 14G	1
0608-8	529369		ARM, GENERATOR ADJUSTING.	H, 3H, 4H	1
	252-05		NUT, TO WATER PUMP STUD 5/16"-24	10G, 12G, 14G, H, 3H, 4H	1
	380-05		WASHER, LOCK 5/16"	10G, 12G, 14G, H, 3H, 4H	1
	1-0520		BOLT, TO GENERATOR 5/16"-18X1 1/4"	10G, 12G, 14G	1
	1-0516		BOLT, TO GENERATOR 5/16"-18X1"	H, 3H, 4H	1
	251-05		NUT, HEX. 5/16"-18.	10G, 12G, 14G, H, 3H, 4H	1
	361-05		WASHER, PLAIN 5/16"	10G, 12G, 14G, H, 3H, 4H	1
	380-05		WASHER, LOCK 5/16"	10G, 12G, 14G, H, 3H, 4H	1
	----		WASHER, SH'PRF. 5/16"	10G, 12G, 14G	1

NOTES { 10 - USED ON MODEL 4H BEFORE CAR SERIAL H-8, 313, 577.
 11 - USED ON AND AFTER CAR SERIAL IN NOTE 10.

0608

ELECTRICAL

ILLUST. NUMBER	PART NUMBER	CHANGE	DESCRIPTION	MODELS	PER CAR
0608- GENERATOR AND REGULATOR-Cont'd.					
(Plates 06-1, 2, 3, 4, 9, 10, 11)					
0608-10	527480		PULLEY, GENERATOR DRIVING	10G, 12G	1
0608-10	533436		PULLEY, GENERATOR DRIVING	14G	1
0608-10	530935		PULLEY, GENERATOR DRIVING	H	1
0608-10	531649		PULLEY, GENERATOR DRIVING	3H, 4H	1
0608-10-1	460-405		KEY, TO ARMATURE SHAFT 1/8"X5/8"	10G, 12G, 14G, H, 3H, 4H	1
0608-11	639053		NUT, HEX. (SPECIAL).	10G, 12G, 14G	1
0608-11	172387		NUT, HEX. (SPECIAL).	H, 3H, 4H	1
	183316		WASHER, LOCK 2 3/32".	10G, 12G, 14G, 3H, 4H	1
	531074		WASHER, SH'PRF. 23/32".	H	1
0608-12	527438		ARMATURE, GENERATOR	10G	1
0608-12	531760		ARMATURE, GENERATOR	12G, 14G	1
0608-12	530934		ARMATURE, GENERATOR	H	1
0608-12	531641		ARMATURE, GENERATOR	3H, 4H	1
0608-13	639055		SNAP RING.	10G, 12G, 14G	1
0608-14	531376		PLATE AND BRUSH HOLDER, GENERATOR COMMUTATOR END.	10G	1
0608-14	531762		PLATE AND BRUSH HOLDER, GENERATOR COMMUTATOR END.	12G, 14G	1
0608-14	526610		PLATE AND BRUSH HOLDER, GENERATOR COMMUTATOR END.	H	1
0608-14	532062		PLATE, GENERATOR COMMUTATOR END - U.S.A..	3H, 4H	1
0608-14	526610		PLATE AND BRUSH HOLDER, GENERATOR COMMUTATOR END - CANADA	3H, 4H	1
0608-15	----		DOWEL, PIN 1/8"X7/16".	10G, 12G, 14G	1
0608-15	----		DOWEL, PIN 1/8"X11/32".	H, 3H, 4H	1
	531645		KIT, GROUNDED BRUSH HOLDER - U.S.A. - CONSISTS OF:	3H, 4H	1
			1--- BRUSH HOLDER 1--- NUT		
			1--- SCREW 1--- WASHER, LOCK		
	531646		KIT, INSULATED BRUSH HOLDER - U.S.A. - CONSISTS OF:	3H, 4H	1
			1--- BRUSH HOLDER 1--- SCREW		
			1--- BUSHING 1--- NUT		
			1--- INSULATOR 1--- WASHER, LOCK		
0608-15-1	----		HOLDER, GROUNDED BRUSH (AVAILABLE ONLY IN 531645 KIT) U.S.A.	3H, 4H	1
0608-15-2	----		HOLDER, INSULATED BRUSH (AVAILABLE ONLY IN 531646 KIT) U.S.A.	3H, 4H	1
0608-16	527481		PLATE, GENERATOR DRIVE END (INCL. BEARING).	10G, 12G, 14G	1
0608-16	526817		PLATE, GENERATOR DRIVE END (LESS BEARING)	H	1
0608-16	531648		PLATE, GENERATOR DRIVE END (LESS BEARING)	3H, 4H	1
0608-17	----		DOWEL, PIN 1/8"X7/16".	10G, 12G, 14G	1
0608-17	634746		DOWEL, PIN 3/16"X5/16"	H, 3H, 4H	1
0608-18	711-04		OILER, GENERATOR END PLATE.	10G, 12G, 14G	2
0608-18	183323		OILER, GENERATOR COMMUTATOR END PLATE	H, 3H, 4H	1
0608-18	188329		OILER, GENERATOR DRIVE END PLATE.	H, 3H, 4H	1
0608-19	176223		WASHER, GENERATOR DRIVE END PLATE-FELT.	10G, 12G, 14G	2
0608-19	44384		WASHER, GENERATOR DRIVE END PLATE-FELT.	H, 3H, 4H	1
0608-20-1	527483		RETAINER, INNER.	10G, 12G, 14G	1
0608-20-2	527485		RETAINER, OUTER.	10G, 12G, 14G	1
0608-20	125995		RETAINER	H, 3H, 4H	1
0608-24	526868		BEARING, GENERATOR DRIVE END PLATE.	10G, 12G, 14G, H, 3H, 4H	1
0608-25	527484		RETAINER, TO PLATE	10G, 12G, 14G	1
0608-25	526869		RETAINER, TO PLATE	H, 3H, 4H	1
0608-27	527482		GASKET, RETAINER.	10G, 12G, 14G	1
0608-27	526870		GASKET, RETAINER.	H, 3H, 4H	1
	56-#10-8		SCREW, TO PLATE No. 10-32X1/2".	10G, 12G, 14G	3
	526871		SCREW, TO PLATE No. 10-32X7/8".	H, 3H, 4H	3
	----		WASHER, LOCK No. 10	10G, 12G, 14G, H, 3H, 4H	3
0608-26	44387		SPACER, BEARING.	H, 3H, 4H	1
0608-28	188330		COLLAR, GENERATOR DRIVE END PLATE BEARING	H, 3H, 4H	1
0608-29	183342		SLINGER, GENERATOR DRIVE END PLATE.	10G, 12G, 14G	1

ELECTRICAL

0610

ILLUST. NUMBER	PART NUMBER	CHANGE	DESCRIPTION	MODELS	PRZ CAR
0608- GENERATOR AND REGULATOR-Cont'd.					
(Plates 06-1, 2, 3, 4, 9, 10, 11)					
0608-35	527487		BRUSH SET, GENERATOR.	10G	1
0608-35	531761		BRUSH SET, GENERATOR.	12G, 14G	1
	55-#8-8		SCREW, TO HOLDER No. 8-32X1/2"	10G, 12G, 14G	2
	380-#8		WASHER, LOCK No. 8.	10G, 12G, 14G	2
0608-35	526812		BRUSH, GENERATOR.	H	2
0608-35	531644		BRUSH, GENERATOR - U.S.A.	3H, 4H	2
0608-35	526812		BRUSH, GENERATOR - CANADA	3H, 4H	1
	55-#6-8		SCREW, TO PLATE No. 6-32X1/2".	H, 3H, 4H	2
	680312		WASHER, LOCK No. 6.	H, 3H, 4H	2
0608-36	193171		ARM, GENERATOR BRUSH.	10G, 12G, 14G	2
0608-36	199037		ARM, GENERATOR BRUSH.	H, 3H, 4H	2
	635658		SPACER	H, 3H, 4H	2
0608-37	527437		SPRING, GENERATOR BRUSH	10G, 12G, 14G	2
0608-37	199036		SPRING, GENERATOR BRUSH	H	2
0608-37	531647		SPRING, GENERATOR BRUSH - U.S.A.	3H, 4H	2
0608-37	199036		SPRING, GENERATOR BRUSH - CANADA.	3H, 4H	1
0608-41	527486		SHIELD, GENERATOR COMMUTATOR.	10G, 12G, 14G	1
0608-41	190400		SHIELD, GENERATOR COMMUTATOR.	H	1
0608-41	190400		SHIELD, GENERATOR COMMUTATOR - CANADA	3H, 4H	1
0608-42	190415		BOLT, GENERATOR FRAME THRU 1/4"-20X7 9/32".	10G, 12G, 14G	2
0608-42	641873		BOLT, GENERATOR FRAME THRU 5/16"-18X7 7/8".	H, 3H, 4H	2
	----		WASHER, LOCK 1/4".	10G, 12G, 14G	2
	380-05		WASHER, LOCK 5/16"	H, 3H, 4H	2
VOLTAGE REGULATOR					
0608-45	530272		VOLTAGE REGULATOR, GENERATOR.	10G	1
0608-45	531703		VOLTAGE REGULATOR, GENERATOR.	12G, 14G	1
0608-45	530227		VOLTAGE REGULATOR, GENERATOR.	H	1
0608-45	531592		VOLTAGE REGULATOR, GENERATOR.	3H, 4H	1
	651-#14-14		SCREW, TO DASH No. 14X7/8"	10G, 12G, 14G, H, 3H, 4H	3
	384-04		WASHER, SHAKEPROOF 1/4"	10G, 12G, 14G, H, 3H, 4H	2
	56-#10-4		SCREW, TERMINAL No. 10-32X1/4"	10G, 12G, 14G	3
	----		WASHER, LOCK No. 10	10G, 12G, 14G	3
	199040		SCREW, TERMINAL.	H, 3H, 4H	3
	526873		WASHER, SPECIAL	H, 3H, 4H	3
	527425		CONDENSER, RADIO INTERFERENCE	H, 3H, 4H	1
0610- STORAGE BATTERY (Plates 06-1, 2, 3, 4)					
BATTERIES ARE SERVICED AT ANY WILLARD BATTERY SERVICE STATION.					
0610-1	530433		BATTERY, DRAINED - EXPORT	10G, 12G, 14G, H, 3H, 4H	1
	293383		BOX, BATTERY (WELDED TO FRONT FENDER APRON)	10G, 12G, H, 3H.	1
	297921		BOX, BATTERY (WELDED TO FRONT FENDER APRON) W-F-Y	14G, 4H.	1
	303058		BOX, BATTERY - C-K.	14G, 4H.	1
	251-05		NUT, WELD BOLT 5/16"-18	14G, 4H.	4
	361-05		WASHER, PLAIN 5/16"	14G, 4H.	4
	380-05		WASHER, LOCK 5/16"	14G, 4H.	4
	285758		RIM, BATTERY BOX HOLD DOWN.	10G, 12G, 14G, H, 3H, 4H	1
	295-06		WING NUT, 3/8"-16.	10G, 12G, 14G, H, 3H, 4H	2
	----		WASHER, PLAIN 3/8".	10G, 12G, 14G, H, 3H, 4H	2
	306002		SILENCER, BATTERY BOX TO FENDER APRON - C-K	14G, 4H.	1
BATTERY CABLES - See Group 0630					
AMMETER - See Group 1709					

0615

ELECTRICAL

ILLUST. NUMBER	PART NUMBER	CHANGE	DESCRIPTION	MODELS	PER CAR
0615- LIGHT SWITCHES - LIGHTING, INSTRUMENTS, FOOT DIMMER AND STOP LAMP					
(Plates 06-1, 2, 3, 4)					
0615-1	530058		SWITCH W/CIRCUIT BREAKER, LIGHTING AND INSTRUMENT - LHC	10G, 12G, H, 3H.	1
0615-1	532134		SWITCH, LIGHTING.	14G, 4H.	1
	526350		SWITCH W/CIRCUIT BREAKER, LIGHTING - RHC.	10G, 12G, H, 3H.	1
	195594W		SCREW, COLLAR (FOR 530058)	10G, 12G, H, 3H.	1
	221-#10-7		SET SCREW, No. 10-24X7/16" (FOR 532134).	14G, 4H.	1
	262-06		NUT, TO INST. BOARD 3/8"X24 }	10G, 12G, H, 3H.	1
	----		WASHER, PLAIN 3/8".	10G, 12G, H, 3H.	1
	384-06		WASHER, SHAKEPROOF 3/8" }	10G, 12G, H, 3H.	1
	527802		SWITCH, INSTRUMENT LAMP - RHC	10G, 12G, H, 3H.	1
	532132		SWITCH, INSTRUMENT LAMP	14G, 4H.	1
	221-#10-7		SET SCREW, No. 10-24X7/16" (FOR 532132).	14G, 4H.	1
	262-06		NUT, TO INST. BOARD 3/8"X24 }	10G, 12G, H, 3H.	1
	----		WASHER, PLAIN 3/8".	10G, 12G, H, 3H.	1
	384-06		WASHER, SHAKEPROOF 3/8" }	10G, 12G, H, 3H.	1
0615-5	530152		KNOB, LIGHTING SWITCH - LHC	10G, H	1
0615-5	531717W		KNOB, LIGHTING SWITCH - LHC	12G, 3H.	1
	526230		KNOB, LIGHTING SWITCH - RHC	10G, 12G	1
	526165		KNOB, LIGHTING SWITCH - RHC	H, 3H.	1
	229-#10-5		SET SCREW, No. 10-24X5/16" (FOR 530152)	10G, H	1
	----		SET SCREW, No. 10-24X1/4" (FOR 531717).	10G, 3H.	1
	526229		KNOB, INSTRUMENT LIGHT SWITCH - RHC	10G, 12G	1
	526163		KNOB, INSTRUMENT LIGHT SWITCH - RHC	H, 3H.	1
0615-6	522014		CIRCUIT BREAKER, LIGHTING SWITCH.	10G, 12G, H, 3H.	1
0615-6	----		CIRCUIT BREAKER, LIGHTING SWITCH - SEE GROUP 0627	14G, 4H.	1
	280-#10		NUT, TERMINAL AND FASTENING No. 10-32.	10G, 12G, H, 3H.	4
	361-#10		WASHER, PLAIN No. 10.	10G, 12G, H, 3H.	2
	----		WASHER, LOCK No. 10	10G, 12G, H, 3H.	4
0615-7	519246		SWITCH, HEAD LAMP, FOOT DIMMER.	10G, 12G, 14G, H, 3H, 4H	1
	41-#8-8		SCREW, TERMINAL No. 8-32X1/2".	10G, 12G, 14G, H, 3H, 4H	3
	672811		WASHER, LOCK No. 8.	10G, 12G, 14G, H, 3H, 4H	3
	55-048		SCREW, TO TOE BOARD 1/4"X20X1/2"	10G, 12G, 14G, H, 3H, 4H	2
	----		WASHER, LOCK 1/4"	10G, 12G, 14G, H, 3H, 4H	2
0615-12	666858		SWITCH, STOP LAMP	10G, 12G, 14G, H, 3H, 4H	2
1105-22	----		BRACKET, STOP LAMP SWITCH - RHC (SEE GROUP 1105).	10G, 12G, H, 3H.	1
0617- HEAD AND PARKING LAMPS					
(Plates 06-1, 2, 3, 4, 12, 13)					
HEAD LAMP					
HEAD LAMPS ARE FURNISHED COMPLETE LESS RIMS.					
0617-1	293390		HEAD AND PARKING LAMP - LHC } U.S.A.	10G, H	2
0617-1	293391		HEAD AND PARKING LAMP - RHC }	10G, H	2
0617-1	294200		HEAD AND PARKING LAMP - LHC } CANADA	10G, H	2
0617-1	294201		HEAD AND PARKING LAMP - RHC }	10G, H	2
0617-1	293990		● HEAD AND PARKING LAMP - EXPORT }	10G, H	2
● . LESS SEALED BEAM UNIT.					

ELECTRICAL

0617

ILLUST. NUMBER	PART NUMBER	CHANGE	DESCRIPTION	MODELS	PER CAR
0617- HEAD AND PARKING LAMPS-Cont'd.					
(Plates 06-1, 2, 3, 4, 12, 13)					
HEAD LAMP-Cont'd.					
0617-1	▲ 296350		HEAD AND PARKING LAMP - LHC - NOTE 3 "WHEN EXHAUSTED USE 295922"	U.S.A.	12G, 3H. 2
0617-1	▲ 296351		HEAD AND PARKING LAMP - RHC - NOTE 3 "WHEN EXHAUSTED USE 295923"		12G, 3H. 2
0617-1	295922		HEAD AND PARKING LAMP - LHC - NOTE 4	CANADA	12G, 3H. 2
0617-1	295923		HEAD AND PARKING LAMP - RHC - NOTE 4		12G, 3H. 2
0617-1	296742		HEAD AND PARKING LAMP - LHC - NOTE 3	CANADA	12G, 3H. 2
0617-1	296743		HEAD AND PARKING LAMP - RHC - NOTE 3		12G, 3H. 2
0617-1	296744	●	HEAD AND PARKING LAMP - EXPORT - NOTE 3	CANADA	12G, 3H. 2
0617-1	295782		HEAD AND PARKING LAMP - LHC - NOTE 4		12G, 3H. 2
0617-1	295783		HEAD AND PARKING LAMP - RHC - NOTE 4	CANADA	12G, 3H. 2
0617-1	295784	●	HEAD AND PARKING LAMP - EXPORT - NOTE 4		12G, 3H. 2
0617-1	297576		HEAD LAMP - LHC } U.S.A.	U.S.A.	14G, 4H. 2
0617-1	297577		HEAD LAMP - RHC }		14G, 4H. 2
0617-1	299530		HEAD LAMP - LHC }	CANADA	14G, 4H. 2
0617-1	299531		HEAD LAMP - RHC }		14G, 4H. 2
0617-1	299532	●	HEAD LAMP - EXPORT }	CANADA	14G, 4H. 2
614-#10-8			SCREW, TO FENDER No. 10X1/2" }		10G, 12G, 14G, H, 3H, 4H
		●	LESS SEALED BEAM UNIT.		
0617-2	289638		WEATHERSTRIP, HEAD LAMP TO FENDER - RUBBER.		10G, H 2
0617-2	296275		WEATHERSTRIP, HEAD LAMP TO FENDER - RUBBER.		12G, 3H. 2
0617-2	285968		WEATHERSTRIP, HEAD LAMP TO FENDER - RUBBER.		14G, 4H. 2
0617-8	292120		RIM, HEAD LAMP - CHROME }	CAR SERIAL	10G, H 2
0617-8	290637P		RIM, HEAD LAMP - PRIME (CASTING) BEFORE }		10G 2
0617-8	294137P		RIM, HEAD LAMP - PRIME (STAMPING) AFTER }	G-1, 075, 717.	10G 2
0617-8	296075W		RIM, HEAD LAMP - CHROME }	CANADA	12G, 3H. 2
0617-8	296075P		RIM, HEAD LAMP - PRIME. }		12G 2
0617-8	298011W		RIM, HEAD LAMP - CHROME }	CANADA	14G, 4H. 2
0617-8	298011P		RIM, HEAD LAMP - PRIME. }		14G 2
633-#8-8W			SCREW, TO BODY No. 8X1/2" }	CANADA	10G, 12G, H, 3H. 4
179-#8-1B			SCREW, TO BODY No. 8X1 1/8" }		14G, 4H. 4
1578X18			SPEED NUT No. 8 }	10G, 12G, H, 3H. 4	
0617-15	292133P		BODY AND EXTENSION, HEAD LAMP - U.S.A. }	U.S.A.	10G, H 2
0617-15	294204P		BODY AND EXTENSION, HEAD LAMP - CANADA. }		10G, H 2
0617-15	296352P	■	BODY AND EXTENSION, HEAD LAMP - NOTE 3 } U.S.A.	U.S.A.	12G, 3H. 2
0617-15	295924P	◆	BODY AND EXTENSION, HEAD LAMP - NOTE 4 }		12G, 3H. 2
0617-15	297084P	■	BODY AND EXTENSION, HEAD LAMP - NOTE 3 } CANADA	CANADA	12G, 3H. 2
0617-15	297110P	◆	BODY AND EXTENSION, HEAD LAMP - NOTE 4 }		12G, 3H. 2
0617-15	297578P		BODY, HEAD LAMP - U.S.A. }	CANADA	14G, 4H. 2
0617-15	299860P		BODY, HEAD LAMP - CANADA. }		14G, 4H. 2
		■	INCL. PARKING LAMP SOCKET.		
		◆	INCL. PARKING LAMP SOCKET AND CABLES.		
0617-26	272586		SEALED BEAM UNIT, HEAD LAMP - LHC } U.S.A.	U.S.A.	10G, 12G, 14G, H, 3H, 4H
0617-26	292385		SEALED BEAM UNIT, HEAD LAMP - RHC }		10G, 12G, 14G, H, 3H, 4H
0617-26	294202		SEALED BEAM UNIT, HEAD LAMP - LHC } CANADA	CANADA	10G, 12G, 14G, H, 3H, 4H
0617-26	294203		SEALED BEAM UNIT, HEAD LAMP - RHC }		10G, 12G, 14G, H, 3H, 4H
0617-27	285969		BASE, SEALED BEAM UNIT MOUNTING } U.S.A.	U.S.A.	10G, 12G, H, 3H. 2
0617-27	297581		BASE, SEALED BEAM UNIT MOUNTING }		14G, 4H. 2
0617-27	294207		BASE, SEALED BEAM UNIT MOUNTING } CANADA	CANADA	10G, 12G, H, 3H. 2
0617-27	294208		BASE, SEALED BEAM UNIT MOUNTING }		14G, 4H. 2
0617-28	285192		SPRING, RETAINER }	U.S.A.	10G, 12G, 14G, H, 3H, 4H
0617-28-1	291874		PIN, SPRING RETAINING }		10G, 12G, 14G, H, 3H, 4H
0617-28	294226		SPRING, RETAINER }	CANADA	10G, 12G, H, 3H. 4
0617-28	304630		SPRING, RETAINER }		14G, 4H. 2
	304631		RIVET, RETAINER SPRING }	14G, 4H. 2	

▲ - NOT AVAILABLE.

3 - USED ON MODELS

		12G	3H
	BEFORE CAR SERIALS U.S.A.	G-1, 132, 099	8, 237, 375
CANADA	{ LHC	G- 738, 138	8, 954, 564
	{ RHC	G- 739, 599	****
	{ EXPORT	G- 739, 510	****

4 - USED ON AND AFTER CAR SERIALS IN NOTE 3.

ELECTRICAL

0617

ILLUST. NUMBER	PART NUMBER	CHANGE	DESCRIPTION	MODELS	PER CAR
0617- HEAD AND PARKING LAMPS-Cont'd.					
(Plates 06-1, 2, 3, 4, 12, 13)					
HEAD LAMP-Cont'd.					
0617-29	285976		RING AND LUGS, SEALED BEAM UNIT RETAINING - U.S.A.	10G, 12G, 14G, H, 3H, 4H	2
0617-29	294221		RING AND LUGS, SEALED BEAM UNIT RETAINING - CANADA	10G, 12G, 14G, H, 3H, 4H	2
	292261		SCREW, TO BASE - U.S.A.	10G, 12G, 14G, H, 3H, 4H	6
	----		SCREW, TO BASE NO. 8-32X5/16" - CANADA	10G, H	6
	297112		SCREW, TO BASE - CANADA	12G, 14G, 3H, 4H	6
0617-58	285974		SCREW, HEAD LAMP FOCUSING - U.S.A.	10G, 12G, 14G, H, 3H, 4H	4
0617-58	294223		SCREW, HEAD LAMP FOCUSING - NOTE 3 } CANADA	10G, 12G, H, 3H	4
0617-58	297113		SCREW, HEAD LAMP FOCUSING - NOTE 4 }	12G, 14G, 3H, 4H	4
0617-61	276526		NUT, SPECIAL	10G, 12G, 14G, H, 3H, 4H	4
0617-62	293375		CABLE, HEAD LAMP - U.S.A. } INCL. PARKING AND SIGNAL	10G, H	2
0617-62	294212		CABLE, HEAD LAMP - CANADA } LAMP SOCKET AND CABLES	10G, H	2
0617-62	296357		CABLE, HEAD LAMP	12G, 3H	2
0617-62	297583		CABLE, HEAD LAMP - U.S.A.	14G, 4H	2
0617-62	299862		CABLE, HEAD LAMP - CANADA	14G, 4H	2
0617-64	273846		SOCKET, BULB END	10G, 12G, 14G, H, 3H, 4H	2
0617-63	287401		TERMINAL, JUNCTION BLOCK END } U.S.A.	10G, 12G, H, 3H	8
0617-63	287401		TERMINAL, JUNCTION BLOCK END }	14G, 4H	4
0617-63	294217		TERMINAL, JUNCTION BLOCK END } CANADA	10G, 14G, H, 4H	8
0617-63	287401		TERMINAL, JUNCTION BLOCK END }	12G, 3H	8
	649829		TERMINAL, GROUND END - U.S.A.	10G, H	2
	294215		TERMINAL, GROUND END - CANADA	10G, H	2
	198667		TERMINAL, DIRECTIONAL LAMP	10G, H	2
	56-#10-8		BOLT, GROUND No. 10-32X1/2"	10G, H	2
	280-#10		NUT, HEX. No. 10-32	10G, H	2
	384-#10		WASHER, SH'PRF. No. 10	10G, H	2
	526600X4		CLIP, HEAD LAMP CABLES - LACER TYPE	14G, 4H	2
	131026		GROMMET, HEAD LAMP CABLES TO FENDER APRON - RUBBER	10G, 12G, H, 3H	2
	532855		GROMMET, HEAD LAMP CABLES TO FENDER APRON - RUBBER	14G, 4H	2
0617-67	296978		CABLE, HEAD LAMP GROUND (CLINCHED TO HOUSING) U.S.A.	12G, 14G, 3H, 4H	2
0617-67	294213		CABLE, HEAD LAMP GROUND (CLINCHED TO HOUSING) CANADA	12G, 14G, 3H, 4H	2
	296979		TERMINAL, EYELET	12G, 14G, 3H, 4H	2
PARKING LAMP					
	----		LAMP, PARKING - INCLUDED IN HEAD LAMP	10G, 12G, H, 3H	2
	----		LAMP w/CABLE COMPLETE, PARKING - INCLUDED IN RADIATOR GRILLE BAR ASSEMBLY - SEE GROUP 0502 (THIS ASSEMBLY IS USED WITH OR WITHOUT DIRECTIONAL SIGNAL LIGHTS)	14G, 4H	2
0617-85	289716		LENS, PARKING LAMP	10G, H	2
0617-85	296175		LENS, PARKING LAMP - NOTE 3	12G, 3H	2
0617-85	295930		LENS, PARKING LAMP - NOTE 4	12G, 3H	2
0617-86	297572		LENS, RIGHT, PARKING LAMP } ILLUST. PLATES 05-7, 8: 16-3, 4	14G, 4H	1
0617-87	297573		LENS, LEFT, PARKING LAMP }	14G, 4H	1
	131-#8-7W		SCREW, TO GRILLE BAR No. 8-32X7/16"	14G, 4H	4

}	NOTES	3 - USED ON MODELS	12G	3H
		BEFORE CAR SERIALS U.S.A.	G-1, 132, 099	8, 237, 375
		CANADA { LHC	G- 738, 138	8, 954, 564
		{ RHC	G- 739, 599	----
		{ EXPORT	G- 739, 510	----
4 - USED ON AND AFTER CAR SERIALS IN NOTE 3.				

ELECTRICAL

0619

ILLUST. NUMBER	PART NUMBER	CHANGE ✓	DESCRIPTION	MODELS	PER CAR
0617- HEAD AND PARKING LAMPS-Cont'd. (Plates 06-1, 2, 3, 4, 12, 13)					
PARKING LAMP-Cont'd.					
0617-89	289743		RETAINER, PARKING LAMP LENS.	10G, H	2
0617-91	292134		CLIP, TO RIM.	10G, H	4
	614-#6-8		SCREW, CLIP TO BODY No. 6X1/2"	10G, H	4
0617-89	296280W		RETAINER, PARKING LAMP LENS - NOTE 3	12G, 3H.	2
0617-89	295932		RETAINER, PARKING LAMP LENS - NOTE 4	12G, 3H.	2
	620-#8-8W		SCREW, TO HEAD LAMP BODY No. 8X1/2"	12G, 3H.	6
0617-93	289731		GASKET, PARKING LAMP LENS.	10G, H	2
0617-93	296358		GASKET, PARKING LAMP LENS - NOTE 3	12G, 3H.	2
0617-93	295931		GASKET, PARKING LAMP LENS - NOTE 4	12G, 3H.	2
	297774		GASKET, PARKING LAMP LENS.	14G, 4H.	2
0617-95	110527		BULB, PARKING LAMP (MAZDA No. 63).	10G, 12G, 14G, H, 3H, 4H	2
0617-95	186547		BULB, PARKING AND SIGNAL LAMP (MAZDA No. 1158)	10G, 12G, 14G, H, 3H, 4H	2
	----		SOCKET AND CABLE, PARKING LAMP (INTEGRAL WITH HEAD LAMP CABLE).	10G, H	2
0617-99	298259		SOCKET AND CABLE, PARKING LAMP } ILLUST. PLATES	14G, 4H.	2
0617-99	298952		SOCKET AND CABLES, PARKING AND SIGNAL LAMP } 05-7,8; 16-3,4	14G, 4H.	2
0617-100	296580		CABLES W/TERMINALS, PARKING AND SIGNAL LAMP - NOTE 3	12G, 3H.	2
0617-100	295929		CABLES W/TERMINALS, PARKING AND SIGNAL LAMP - NOTE 4	12G, 3H.	2
	299855		CABLES W/TERMINALS, PARKING LAMP (LESS SLEEVE)	14G, 4H.	2
	533256		CABLES W/TERMINALS, PARKING AND SIGNAL LAMP (LESS SLEEVES)	14G, 4H.	2
	287401		TERMINAL, JUNCTION BLOCK END - EYELET TYPE.	14G, 4H.	2
	293649		SPRING, SOCKET - COIL	14G, 4H.	2
	140844		SLEEVE - RUBBER	14G, 4H.	2
0617-105	289982		CONNECTOR, PARKING AND SIGNAL LAMP CABLES - CRIMP TYPE	12G, 3H.	4
	182050		CLIP, PARKING LAMP CABLE TO BRACE 1/2"	14G, 4H.	2
	----		CLIP, PARKING LAMP CABLE TO DEFLECTOR - SEE HORN CABLE CLIP - GROUP 0625.	14G, 4H.	2
	131026		GROMMET, PARKING LAMP CABLE.	14G, 4H.	2
0619- TAIL AND STOP LAMP (Plates 06-1, 2, 3, 4, 14, 15)					
0619-9	293420		BODY, TAIL LAMP.	10G, H	2
0619-9	296363		BODY, TAIL LAMP.	12G, 3H.	2
	252-04		NUT, TO FENDER 1/4"-28.	10G, 12G, H, 3H.	8
	----		WASHER, PLAIN 1/4"	10G, 12G, H, 3H.	8
	384-04		WASHER, LOCK 1/4".	10G, 12G, H, 3H.	8
0619-9-1	298968X1	★	BODY, RIGHT, TAIL LAMP - PRIME - W1-F1	14G	1
0619-9-2	298969X1	★	BODY, LEFT, TAIL LAMP - PRIME - W1-F1.	14G	1
0619-9-1	298968X2	★	BODY, RIGHT, TAIL LAMP - CHROME - W3-W5-F3-F5-Y5	14G, 4H.	1
0619-9-2	298969X2	★	BODY, LEFT, TAIL LAMP - CHROME - W3-W5-F3-F5-Y5.	14G, 4H.	1
0619-9	299199	★	BODY, TAIL LAMP - C-K.	14G, 4H.	2
	621-#14-20		BOLT, TO FENDER No. 14-14X1 1/4".	14G, 4H.	4
	1783X2		SPEED NUT No. 14	14G, 4H.	4
★ - INCLUDES SOCKET, CABLE, GASKET AND BULB.					

NOTES { 3 - USED ON MODELS BEFORE CAR SERIALS U.S.A. 12G 3H
 G- 1,132,099 8,237,375
 LHC G- 738,138 8,954,564
 CANADA { RHC G- 739,599 -----
 EXPORT G- 739,510 -----
4 - USED ON AND AFTER CAR SERIALS IN NOTE 3.

0619

ELECTRICAL

ILLUST. NUMBER	PART NUMBER	CHANGE	DESCRIPTION	MODELS	PER CAR
0619- TAIL AND STOP LAMP-Cont'd.					
(Plates 06-1, 2, 3, 4, 14, 15)					
0619-14	293778X2		RIM, TAIL LAMP - CHROME	10G, H	2
0619-14	293778X1		RIM, TAIL LAMP - PRIME (CASTING) BEFORE } CAR SERIAL.	10G	2
0619-14	294140X1		RIM, TAIL LAMP - PRIME (STAMPING) AFTER } G-1,073,257.	10G	2
0619-14	296371P		RIM, TAIL LAMP - PRIME.	12G, 3H.	2
	----		SCREW, TO BODY No. 8X1/2".	10G, H	8
	179-#8-20		SCREW, TO BODY, UPPER No. 8X1 1/4".	12G, 3H.	4
	179-#8-12		SCREW, TO BODY, LOWER No. 8X3/4".	12G, 3H.	4
0619-14-1	289886		BUTTON, TAIL LAMP RIM REFLECTOR (EXCEPT 294140)	10G, 12G, H, 3H.	2
0619-14-2	289887		RETAINER	10G, 12G, H, 3H.	2
0619-14-1	294240		BUTTON, TAIL LAMP RIM REFLECTOR (FOR 294140).	10G	2
	280-#10		NUT, TO RIM No. 10-32.	10G	2
	----		WASHER, LOCK No. 10	10G	2
0619-14-1	298210		REFLECTOR, TAIL LAMP.	14G, 4H.	2
	----		RETAINER (INCLUDED IN TAIL LAMP BODY).	14G, 4H.	2
0619-14-3	296291W		ESCUTCHEON, TAIL LAMP RIM (EXCEPT CUSTOM)	12G, 3H.	2
0619-15	293764		BULB, TAIL, STOP AND SIGNAL LAMP.	10G, 12G, 14G, H, 3H, 4H	2
0619-18	293228		LENS, TAIL LAMP	10G, H	2
0619-18	296313		LENS, TAIL LAMP	12G, 3H.	2
0619-18	298960		LENS, TAIL LAMP - W-F-Y	14G, 4H.	2
0619-18	299169		LENS, TAIL LAMP - C-K	14G, 4H.	2
	131-#8-7W		SCREW, TO BODY No. 8-32X7/16".	14G, 4H.	6
0619-22	293338		GASKET, TAIL LAMP LENS.	10G, H	2
0619-22	296369		GASKET, TAIL LAMP LENS.	12G, 3H.	2
0619-22	298964		GASKET, TAIL LAMP LENS - W-F-Y.	14G, 4H.	2
0619-22	299170		GASKET, TAIL LAMP LENS - C-K.	14G, 4H.	2
0619-32	293648		SOCKET AND CABLES, TAIL LAMP } INCLS. BRACKET.	10G, H	2
0619-32	296365		SOCKET AND CABLES, TAIL LAMP } INCLS. BRACKET.	12G, 3H.	2
	----		SCREW AND WASHER, BRACKET TO BODY No. 8X1/4".	10G, 12G, H, 3H.	2
	198667		TERMINAL, PUSH TYPE.	10G, 12G, H, 3H.	4
	293649		SPRING, SOCKET COIL.	10G, 12G, H, 3H.	2
0619-32	298211		SOCKET AND CABLES, TAIL LAMP.	14G, 4H.	2
	299856		CABLES W/TERMINALS, TAIL LAMP (INCLUDES INSULATOR AND TERMINALS).	14G, 4H.	2
	198667		TERMINAL, CABLES CONNECTOR END - PUSH TYPE	14G, 4H.	4
0619-34	293649		SPRING, SOCKET COIL.	14G, 4H.	2
	299629		GROMMET, SOCKET AND CABLES TO FENDER.	14G, 4H.	2
	----		CLIP, TAIL LAMP CABLE TO FENDER	10G, 12G, 14G, H, 3H, 4H	2
0620- LICENSE PLATE LAMP (Plates 06-1, 2, 3, 4)					
MODELS 10G, 12G, H, 3H					
LICENSE LAMP IS LOCATED IN THE TRUNK LID HANDLE					
(SEE GROUPS 2130 AND 2330 IN THE BODY PARTS CATALOG					
FOR TRUNK HANDLES - PLATES 21-24, 23-16)					
MODELS 14G, 4H					
LICENSE LAMP IS LOCATED IN THE REAR VERTICAL BUMPER					
(SEE GROUP 1807 FOR REAR VERTICAL BUMPER PLATE 18-4)					
0620-1	532959		LAMP COMPLETE, LICENSE PLATE (INCLUDES LENS AND RETAINER, SOCKET AND LOOM AND CABLE W/TERMINALS.	14G, 4H.	2
0620-5	110527		BULB, LICENSE PLATE LAMP.	10G, 12G, 14G, H, 3H, 4H	1

ELECTRICAL

0620

ILLUST. NUMBER	PART NUMBER	CHANGE	DESCRIPTION	MODELS	PER CAR
0620- LICENSE PLATE LAMP-Cont'd. (Plates 06-1, 2, 3, 4)					
0620-6	293237		LENS, LICENSE PLATE LAMP - W1-F1-C1-Q4	10G, 12G	1
0620-6	293050		LENS, LICENSE PLATE LAMP - EXCEPT W1-F1-C1-Q4	10G, 12G, H, 3H.	1
0620-6	533704		LENS AND RETAINER, LICENSE PLATE LAMP	14G, 4H.	2
0620-7	293273		SPACER, TO HANDLE - RUBBER - W1-F1-C1-Q4 - NOTE 5.	10G	1
0620-7	294106		SPACER, TO HANDLE - RUBBER - W1-F1-C1-Q4 - NOTE 6.	10G, 12G	1
0620-7	294389		SPACER, TO HANDLE - RUBBER - EXCEPT W1-F1-C1-Q4.	10G, 12G, H, 3H.	1
0620-8	294108		GASKET, LICENSE PLATE LAMP LENS - RUBBER - W1-F1-C1-Q4.	10G, 12G	1
0620-8	294116		GASKET, LICENSE PLATE LAMP LENS - RUBBER - EXCEPT W1-F1-C1-Q4.	10G, 12G, H, 3H.	1
0620-8	534195		GASKET, LICENSE PLATE LAMP LENS - RUBBER.	14G, 4H.	2
0620-8-1	294107		SEAL, LICENSE PLATE LAMP LENS - RUBBER - W1-F1-C1-Q4 - NOTE 6	10G, 12G	1
0620-9A	----		RETAINER, LICENSE PLATE LAMP LENS AND SOCKET - W1-F1-C1-Q4 - USE 294109)	10G	1
0620-9B	294109		RETAINER, LICENSE PLATE LAMP LENS AND SOCKET - W1-F1-C1-Q4.	10G, 12G	1
0620-9	293395		RETAINER, LICENSE PLATE LAMP LENS AND SOCKET - EXCEPT W1-F1-C1-Q4.	10G, 12G, H, 3H.	1
55-#8-8			SCREW, TO BASE No. 8-32X1/2" - W1-F1-C1-Q4	10G, 12G	1
----			SCREW, TO BASE No. 8-32X1/4" - W1-F1-C1-Q4 - NOTE 5.	10G, 12G	2
----			SCREW, TO BASE No. 8-32X5/16" - W1-F1-C1-Q4 - NOTE 6	10G	2
380-#8			WASHER, LOCK No. 8.	10G, 12G	3
----			SCREW, TO BASE No. 10-24X3/8" - EXCEPT W1-F1-C1-Q4	10G, 12G, H, 3H.	2
0620-15	293564		SOCKET, LICENSE PLATE LAMP BULB - W1-F1-C1-Q4	10G, 12G	1
0620-15	293082		SOCKET, LICENSE PLATE LAMP BULB - EXCEPT W1-F1-C1-Q4.	10G, 12G, H, 3H.	1
0620-15	533705		SOCKET AND LOOM, LICENSE PLATE LAMP BULB.	14G, 4H.	2
0620-18	287345		CABLE, LICENSE PLATE LAMP	10G, 12G, H, 3H.	1
	287401		TERMINAL, EYELET TYPE.	10G, 12G, H, 3H.	1
	291222		SPRING, SOCKET COIL.	10G, 12G, H, 3H.	2
0620-18	533706		CABLE W/TERMINALS, LICENSE PLATE LAMP (INCLUDES TERMINALS AND INSULATOR.	14G, 4H.	2
	198667		TERMINAL, PUSH TYPE.	14G, 4H.	2
	533707		SPRING, SOCKET COIL.	14G, 4H.	2
0620-25	293765		JUNCTION BLOCK, LICENSE LAMP CABLE (ILLUST. PLATE 06-1, 2)	10G, 12G, H, 3H.	1
280-#10			NUT, TERMINAL No. 10-32.	10G, 12G, H, 3H.	1
----			WASHER, LOCK No. 10	10G, 12G, H, 3H.	1
----			SCREW, TO LID No. 8X1/4"	10G, 12G, H, 3H.	2
0620-28	293779		CABLE, CHASSIS CABLES TO JUNCTION BLOCK (ILLUST. PLATE 06-1, 2)	10G, 12G, H, 3H.	1
	513675		TERMINAL, EYELET TYPE.	10G, 12G, H, 3H.	1
	198667		TERMINAL, PUSH TYPE.	10G, 12G, H, 3H.	1
0620-30	192545		CONNECTOR, CHASSIS CABLES TO JUNCTION BLOCK CABLE (ILLUST. PLATE 06-1, 2).	10G, 12G, H, 3H.	1
	----		CONNECTOR, LICENSE PLATE LAMP CABLE TO TAIL AND STOP LAMP CABLES (SEE TAIL AND STOP LAMP CABLES CONNECTOR - GROUP 0627).	14G, 4H.	2

NOTES { 5 - USED BEFORE APPROXIMATE CAR SERIAL G-1,031,102.
6 - USED ON AND AFTER CAR SERIAL IN NOTE 5.

ELECTRICAL

0621

ILLUST. NUMBER	PART NUMBER	CHANGE	DESCRIPTION	MODELS	PER CAR
0621- DIRECTIONAL LAMPS (Plates 06-16, 17, 18)					
AC-2125			SIGNAL LIGHTS KIT, DIRECTIONAL - EXCEPT W1-F1-C1-Q4	10G, H	1
AC-2126			SIGNAL LIGHTS KIT, DIRECTIONAL - W1-F1-C1-Q4	10G	1
AC-2195			SIGNAL LIGHTS KIT, DIRECTIONAL - EXCEPT W1-F1-C1 - LHC	12G, 3H	1
AC-2196			SIGNAL LIGHTS KIT, DIRECTIONAL - W1-F1-C1 - LHC	12G	1
AC-2196			SIGNAL LIGHTS KIT, DIRECTIONAL - RHC	12G, 3H	1
AC-2351			SIGNAL LIGHTS KIT, DIRECTIONAL - U.S.A. } WHEN INSTALLED ON	14G, 4H	1
AC-2501			● SIGNAL LIGHTS KIT, DIRECTIONAL - CANADA } RHC CARS USE AC-2441	14G, 4H	1
● - WHEN INSTALLING THIS KIT ON U.S.A. BUILT CARS ALSO ORDER 2-186547 BULB, 2-533256 CABLE AND 4-140844 SLEEVE.					
AC-2441			LEVER KIT, SIGNAL LIGHTS SWITCH - RHC	14G, 4H	1
----			LAMP, FRONT, SIGNAL - SEE PARKING LAMP - GROUP 0617	10G, 12G, 14G, H, 3H, 4H	2
----			LAMP, REAR, SIGNAL - SEE GROUP 0619	10G, 12G, 14G, H, 3H, 4H	2
0621-18	530466P		SWITCH AND CABLES (INCLUDES LEVER)	10G, H	1
	531780P		SWITCH AND CABLES - W1-F1-C1 (INCLUDES BASE AND LEVER) LHC.	12G, 3H	1
0621-18	530466P		SWITCH AND CABLES - W1-F1-C1 (INCLUDES LEVER) LHC.	12G	1
	530466P		SWITCH AND CABLES (INCLUDES LEVER) RHC	12G, 3H	1
0621-18	533519		SWITCH AND CABLES, SIGNAL LIGHTS.	14G, 4H	1
	526600X4		CLIP, CABLES TO INST. BOARD - LACER TYPE	10G, 12G, H, 3H	1
	526600X2		CLIP, CABLES TO INST. BOARD - LACER TYPE	14G, 4H	1
	530590		CLIP, CABLES TO STEER. POST JACKET	H, 3H	1
	----		SCREW, TO BASE No. 10-24X3/8"	10G, 12G, H, 3H	2
	----		SCREW, TO BASE No. 10-24X3/8" (FOR 531780P) LHC.	12G, 3H	2
	----		SCREW, TO BRACKET No. 10X3/8"	14G, 4H	2
	384-#10		WASHER, LOCK No. 10	10G, 12G, H, 3H	2
	531755		SPRING, SIGNAL LIGHTS SWITCH CAM ROLLER (FOR 530466P)	10G, 12G, H, 3H	1
0621-18-1	533520		PLATE, SIGNAL LIGHTS SWITCH - NOTE 7.	14G, 4H	1
0621-18-1	533627		PLATE, SIGNAL LIGHTS SWITCH - NOTE 8.	14G, 4H	1
0621-18-2	533523		RETAINER, TO SWITCH.	14G, 4H	1
0621-18-3	533522		SPRING, COIL TENSION.	14G, 4H	1
0621-18-4	533583		SPRING, SIGNAL LIGHTS SWITCH PLATE TENSION - FLAT - NOTE 7.	14G, 4H	1
0621-18-4	533628		SPRING, SIGNAL LIGHTS SWITCH PLATE TENSION - COIL - NOTE 8.	14G, 4H	1
0621-18-5	533699		PAWL, SIGNAL LIGHTS SWITCH PLATE - NOTE 7	14G, 4H	1
0621-18-6	533698		BRACKET, SWITCH PLATE PAWL - NOTE 7	14G, 4H	1
0621-20	533369X1		LEVER, SIGNAL LIGHTS SWITCH OPERATING - NOTE 7 } LHC	14G, 4H	1
0621-20	533369X2		LEVER, SIGNAL LIGHTS SWITCH OPERATING - NOTE 8 } LHC	14G, 4H	1
	----		LEVER, SIGNAL LIGHTS SWITCH OPERATING - RHC - USE AC-2441	14G, 4H	1
	----		SCREW AND WASHER, TO SWITCH No. 10-32X1 1/4"	14G, 4H	1
	526550		CABLE, SIGNAL LIGHTS SWITCH TO FLASHER EXTENSION.	10G, 12G, H, 3H	1
0621-24	530593P		BASE, SIGNAL LIGHTS SWITCH MOUNTING - EXCEPT W1-F1-C1-Q4 - LHC	10G, 12G, H, 3H	1
0621-24	519967P		BASE, SIGNAL LIGHTS SWITCH MOUNTING - W1-F1-C1-Q4 - LHC	10G, 12G	1
0621-24	519967P		BASE, SIGNAL LIGHTS SWITCH MOUNTING - RHC	12G, 3H	1
	----		SCREW, TO JACKET No. 10X3/8"	10G, 12G, H, 3H	2
0621-25	530594P		COVER, SIGNAL LIGHTS SWITCH BASE - EXCEPT W1-F1-C1-Q4 - LHC	10G, 12G, H, 3H	1
0621-25	519968P		COVER, SIGNAL LIGHTS SWITCH BASE - W1-F1-C1-Q4 - LHC.	10G, 12G	1
0621-25	519968P		COVER, SIGNAL LIGHTS SWITCH BASE - RHC.	12G, 3H	1
	----		SCREW, TO BASE No. 8-32X1"	10G, 12G, H, 3H	2

NOTES { 7 - 4HD-A STAMPED ON SWITCH PLATE AND LEVER SIGNIFIES FACTORY INSTALLED SIGNAL LIGHTS EQUIPMENT.
8 - 4HD-B STAMPED ON SWITCH PLATE AND LEVER SIGNIFIES FIELD INSTALLED SIGNAL LIGHTS EQUIPMENT.

ELECTRICAL

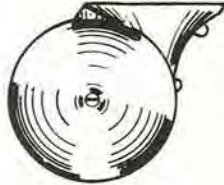

0621

ILLUST. NUMBER	PART NUMBER	CHANGE	DESCRIPTION	MODELS	PER CAR
0621- DIRECTIONAL LAMPS-Cont'd. (Plates 06-16, 17, 18)					
0621-30	530484P		COVER, SIGNAL LIGHTS SWITCH CABLES - W1-F1-C1-Q4 - LHC. . .	10G, 12G	1
0621-30	530484P		COVER, SIGNAL LIGHTS SWITCH CABLES - RHC.	10G, 12G, H, 3H.	1
	515402P		CLAMP, TO STEERING POST JACKET	10G, 12G, H, 3H.	1
	55-#10-16		BOLT, CLAMPING No. 10-24X1"	10G, 12G, H, 3H.	1
	279-#10		NUT, HEX, No. 10-24	10G, 12G, H, 3H.	1
	----		WASHER, LOCK No. 10	10G, 12G, H, 3H.	1
0621-32	526544		FLASHER, SIGNAL LIGHTS.	10G, 12G, 14G, H, 3H, 4H	1
0621-33	530583		BRACKET, SIGNAL LIGHTS FLASHER (INCL. FUSE HOLDER).	10G, 12G, H, 3H.	1
	251-05		NUT, HEX, 5/16"-18	10G, H	1
	384-05		WASHER, SHAKEPROOF 5/16"	10G, H	1
	1-0412		BOLT, TO DASH 1/4"-20X3/4"	12G, 3H.	1
	251-04		NUT, HEX, 1/4"-20	12G, 3H.	1
	384-04		WASHER, LOCK 1/4"	12G, 3H.	1
0621-35	526543		SOCKET, SIGNAL LIGHTS FLASHER	10G, 12G, H, 3H.	1
0621-35	533244		SOCKET AND CABLES, SIGNAL LIGHTS FLASHER (INCL. FUSE AND TELL-TALE CABLES AND SOCKETS).	14G, 4H.	1
	----		SCREW, TO BRACKET No. 4X1/2"	10G, 12G, H, 3H.	1
	526547		WASHER, CUSHION	10G, 12G, H, 3H.	1
0621-34	530586		CABLE W/FUSE, SIGNAL LIGHTS FLASHER TO IGNITION SWITCH. . .	10G, 12G, H, 3H.	1
	519762		CLIP, FUSE HOLDER.	10G, 12G, H, 3H.	1
	----		RIVET, TO FLASHER BRACKET 9/32"x3/8".	10G, 12G, H, 3H.	1
	195792		FUSE, SIGNAL LIGHTS FLASHER CABLE - 14 AMP.	10G, 12G, 14G, H, 3H, 4H	1
0621-36	530585		HARNES AND SOCKETS, SIGNAL LIGHTS TELL-TALE CABLES	10G, 12G, H, 3H.	1
0621-38	530575		CABLES, FRONT SIGNAL LIGHTS - LHC	10G, H	1
	530963		CABLES, FRONT SIGNAL LIGHTS - RHC	10G, H	1
0621-38	531783		CABLES, FRONT SIGNAL LIGHTS - LHC	12G, 3H.	1
	531782		CABLES, FRONT SIGNAL LIGHTS - RHC	12G, 3H.	1
0621-38	533230		CABLES, FRONT SIGNAL LIGHTS	14G, 4H.	1
	192545		CONNECTOR, SIGNAL LIGHTS SWITCH TO FLASHER CABLE (2 WIRE) .	10G, 12G, H, 3H.	1
	192547		CONNECTOR, SIGNAL LIGHTS CABLES (6 WIRE).	10G, 12G, H, 3H.	1
0621-44	530589		CONNECTOR, SIGNAL LIGHTS SWITCH CABLES (10 WIRE).	10G, 12G, H, 3H.	1
0621-44	533370		CONNECTOR, SIGNAL LIGHTS SWITCH CABLES (12 WIRE).	14G, 4H.	1
0621-45	530516	▲	CAM, STEERING POST DIRECTIONAL SIGNAL (ILLUST. PLATES 13-1, 2) "WHEN EXHAUSTED USE 531585".	10G, H	1
0621-45	531585		CAM, STEERING POST DIRECTIONAL SIGNAL (ILLUST. PLATES 13-1, 2)	12G, 3H.	1
0621-45	533697		CAM, STEERING WHEEL DIRECTIONAL SIGNAL (ILLUST. PLATES 13-7).	14G, 4H.	1
	----		SET SCREW No. 8-32X3/16"	10G, H	1
	----		BULB, FRONT SIGNAL LIGHTS - SEE BULB, PARKING AND SIGNAL LAMP - GROUP 0617	10G, 12G, 14G, H, 3H, 4H	2
	----		BULB, REAR SIGNAL LIGHTS - SEE BULB, TAIL, STOP AND SIGNAL LAMP - GROUP 0619.	10G, 12G, 14G, H, 3H, 4H	2
0621-50	185368		BULB, SIGNAL LIGHTS TELL-TALE (MAZDA No. 55).	10G, 12G, H, 3H.	2
0621-50	188659		BULB, SIGNAL LIGHTS TELL-TALE (MAZDA No. 51).	14G, 4H.	2
	----		SOCKET AND CABLES, FRONT SIGNAL LAMP - SEE SOCKET AND CABLES, PARKING AND SIGNAL LAMP - GROUP 0617.	14G, 4H.	2
	----		SOCKET AND CABLES, REAR SIGNAL LAMP - SEE SOCKET AND CABLES, TAIL LAMP - GROUP 0619.	10G, 12G, 14G, H, 3H, 4H	2
	----		CABLE, FRONT SIGNAL LAMP (INTEGRAL WITH HEAD LAMP CABLE - GROUP 0617).	10G, H	2
	----		CABLE, FRONT SIGNAL LAMP - SEE CABLES W/TERMINALS, PARKING AND SIGNAL LAMP - GROUP 0617	12G, 3H.	2

NOTE { ▲ . NOT AVAILABLE

0622

ELECTRICAL

ILLUST. NUMBER	PART NUMBER	CHANGE	DESCRIPTION	MODELS	PER CAR	
0622- LICENSE PLATE BRACKETS						
	29 3071P		BRACKET, REAR LICENSE PLATE SUPPORT (FASTENED WITH TRUNK LID HANDLE STUDS)	10G, 12G, H, 3H.	1	
	----		BRACKET, REAR LICENSE PLATE SUPPORT (PART OF REAR BUMPER OUTER FACE BAR - GROUP 1805)	14G, 4H.	1	
0622-11	520285		BUMPER, REAR LICENSE PLATE - RUBBER (ILLUST. PLATE 18-4)	14G, 4H.	2	
0622-15	525049P		BRACKET, FRONT LICENSE PLATE SUPPORT (ILLUST. PLATE 18-3, 4)	10G, 12G, H, 3H.	1	
0622-15	532164P		BRACKET, FRONT LICENSE PLATE SUPPORT (ILLUST. PLATE 18-4)	14G, 4H.	1	
	35-0728		BOLT, TO BUMPER 7/16"-14X1 3/4"	10G, 12G, 14G, H, 3H, 4H	2	
	263-07		NUT, HEX. 7/16"-14	10G, 12G, 14G, H, 3H, 4H	2	
	518494		WASHER, SPACING	10G, 12G, H, 3H.	2	
	----		WASHER, SPACING 7/16"- U.S.A.	14G, 4H.	2	
	518494		WASHER, SPACING - CANADA	14G, 4H.	2	
	55-048		BOLT, LICENSE PLATE 1/4"-20X1/2"	10G, 12G, 14G, H, 3H, 4H	4	
	1571X2		SPEED NUT, REAR PLATE 1/4"-20	10G, 12G, H, 3H.	2	
	----		SPEED NUT, REAR PLATE 1/4"-20	14G, 4H.	2	
	----		PAL NUT, FRONT PLATE 1/4"-20	10G, 12G, 14G, H, 3H, 4H	2	
	----		WASHER, PLAIN 1/4"	10G, 12G, 14G, H, 3H, 4H	2	
0625- HORN (Plates 06-1, 2, 3, 4)						
						
						
			0625-2			
			0625-1			
	AC-2114		EXTRA HORN EQUIPMENT (SPARTON) U.S.A.	W1-F1	10G, 12G	1
	AC-1990		EXTRA HORN EQUIPMENT (AUTO-LITE) CANADA	C1-Q4	10G, 12G	1
	AC-2500		EXTRA HORN EQUIPMENT (AUTO-LITE) CANADA -	W1-F1	14G	1
0625-1	526690	◆	HORN, RIGHT (DELCO HIGH TONE)		10G, 12G, H, 3H.	1
0625-2	526691	◆	HORN, LEFT (DELCO LOW TONE)		10G, 12G, H, 3H.	1
0625-1	674006	■	HORN, RIGHT (SPARTON HIGH TONE) NOTE 9	U.S.A.	10G, 12G, 14G, H, 3H, 4H	1
0625-1	674005	■	HORN, LEFT (SPARTON LOW TONE)		10G, 12G, 14G, H, 3H, 4H	1
	531756	■	HORN, RIGHT (DELCO HIGH TONE) NOTE 9		14G, 4H.	1
	531757	■	HORN, LEFT (DELCO LOW TONE)		14G, 4H.	1
	530208	■	HORN, RIGHT (AUTO-LITE HIGH TONE) NOTE 9	CANADA	10G, 12G, 14G, H, 3H, 4H	1
	530209	■	HORN, LEFT (AUTO-LITE LOW TONE)		10G, 12G, 14G, H, 3H, 4H	1
	252-04		NUT, TO BRACKET 1/4"-28		10G, 12G, 14G, H, 3H, 4H	4
	384-04		WASHER, SH'PRF. 1/4"		10G, 12G, 14G, H, 3H, 4H	4
		◆	WITH CABLE			
		■	LESS CABLE			
	530262		BRACKET, HORN (FOR DELCO HORN)		10G, 12G, 14G, H, 3H, 4H	2
	523278		BRACKET, HORN (FOR SPARTON HORN)		10G, 12G, 14G, H, 3H, 4H	2
	2-0416		BOLT, TO SUPPORT 1/4"-28X1"		10G, 12G, H, 3H.	4
	252-04		NUT, HEX. 1/4"-28.		10G, 12G, H, 3H.	4
	384-04		WASHER, SH'PRF. 1/4"		10G, 12G, H, 3H.	4
	2-0416		BOLT, TO SUPPORT 1/4"-28X1"	EXCEPT C-K	14G, 4H.	4
	252-04		NUT, HEX. 1/4"-28.		14G, 4H.	4
	384-04		WASHER, SH'PRF. 1/4"		14G, 4H.	4
	1-0416		BOLT, TO DEFLECTOR 1/4"-20X1"	C-K	14G, 4H.	4
	251-04		NUT, HEX. 1/4"-20.		14G, 4H.	4
	384-04		WASHER, SH'PRF. 1/4"		14G, 4H.	8
	666768		PLATE, MOUNTING		10G, 12G, 14G, H, 3H, 4H	4
	532990		SPACER - C-K.		14G, 4H.	2

NOTE { 9 - ACCESSORY OR SPECIAL EQUIPMENT ON W1-F1-C1-Q4 ON MODELS 10G, 12G AND 14G.

ELECTRICAL

0627

ILLUST. NUMBER	PART NUMBER	CHANGE	DESCRIPTION	MODELS	PER CAR
0625- HORN-Cont'd. (Plates 06-1, 2, 3, 4)					
	527167		PLATE, HORN BRACKET LAMINATION (FOR AUTO-LITE HORN).	10G, 12G, 14G, H, 3H, 4H	8
	530210		SPACER, TUBULAR	10G, 12G, 14G, H, 3H, 4H	4
	2-0416		BOLT, TO SUPPORT 1/4"-28X1"	10G, 12G, H, 3H	4
	252-04		NUT, HEX. 1/4"-28	10G, 12G, H, 3H	4
	384-04		WASHER, SH'PRF. 1/4"	10G, 12G, H, 3H	4
	2-0410		BOLT, TO SUPPORT 1/4"-28X5/8"	14G, 4H	4
	252-04		NUT, HEX. 1/4"-28	14G, 4H	4
	384-04		WASHER, SH'PRF. 1/4"	14G, 4H	4
	1-0416		BOLT, TO DEFLECTOR 1/4"-20X1"	14G, 4H	4
	251-04		NUT, HEX. 1/4"-20	14G, 4H	4
	384-04		WASHER, SH'PRF. 1/4"	14G, 4H	8
			EXCEPT C-K		
			C-K		
	527163		PLATE, HORN BRACKET MOUNTING (FOR AUTO-LITE HORN).	10G, 12G, 14G, H, 3H, 4H	4
	530090		SUPPORT, HORN BRACKET	10G, 12G, H, 3H	1
	532956		SUPPORT, HORN BRACKET - EXCEPT C-K	14G, 4H	2
	1905X14		BOLT, TO DEFLECTOR 5/16"-18X3/4"	10G, 12G, H, 3H	2
	251-05		NUT, HEX. 5/16"-18	10G, 12G, H, 3H	2
	380-05		WASHER, LOCK 5/16"	10G, 12G, H, 3H	2
	----		WASHER, SH'PRF. 5/16"	10G, 12G, H, 3H	2
	1-058		SCREW, TO DEFLECTOR 5/16"-18X1/2"	14G, 4H	4
	----		WASHER, PLAIN 5/16"	14G, 4H	4
	380-05		WASHER, LOCK 5/16"	14G, 4H	4
			FOR 530090		
			FOR 532956		
0625-3	523299		CABLE, RIGHT, HORN TO RELAY 27"	10G, 12G, H, 3H	1
0625-4	523298		CABLE, LEFT, HORN TO RELAY 8"	10G, 12G, H, 3H	1
0625-3	532620		CABLE, RIGHT, HORN TO RELAY 55"	14G, 4H	1
0625-4	532621		CABLE, LEFT, HORN TO RELAY 25"	14G, 4H	1
	55-#8-8		SCREW, TO HORN No. 8-32X1/2"	10G, 12G, 14G, H, 3H, 4H	2
	526600X3		CLIP, LACER 4" LONG	10G, 12G, H, 3H	1
	519864		CLIP, TO BODY FLANGE - RHC	10G, 12G, H, 3H	1
	182050		CLIP, HORN AND PARKING LAMP CABLES TO AIR DEFLECTOR - EXCEPT C-K	14G, 4H	2
	131026		GROMMET, HORN TO RELAY CABLE	10G, 12G, H, 3H	1
	----		GROMMET, HORN TO RELAY CABLE (SEE PARKING LAMP CABLES GROMMET - GROUP 0617)	14G, 4H	2
0625-5	190085		RELAY, HORN	10G, 12G, 14G, H, 3H, 4H	1
	651-#14-8		SCREW, FASTENING No. 14X1/2"	10G, 12G, 14G, H, 3H, 4H	2
	55-#8-8		SCREW, TERMINAL No. 8-32X1/2"	10G, 12G, 14G, H, 3H, 4H	3
	679832		WASHER, LOCK No. 8	10G, 12G, 14G, H, 3H, 4H	3
0627- CHASSIS WIRING, JUNCTION BLOCK, CIRCUIT BREAKER (Plates 06-1, 2, 3, 4)					
0627-1	530297		HARNES. CHASSIS WIRING - LHC	10G	1
	530829		HARNES. CHASSIS WIRING - RHC	10G	1
0627-1	530298		HARNES. CHASSIS WIRING - LHC	H	1
	530868		HARNES. CHASSIS WIRING - RHC	H	1
0627-1	531670		HARNES. CHASSIS WIRING - LHC	12G	1
	531828		HARNES. CHASSIS WIRING - RHC	12G	1
0627-1	531671		HARNES. CHASSIS WIRING - LHC	3H	1
	531827		HARNES. CHASSIS WIRING - RHC	3H	1
0627-1	532637		HARNES. CHASSIS WIRING - W-F - LHC	14G	1
0627-1	532975		HARNES. CHASSIS WIRING - C-K - LHC	14G	1
0627-1	534402		HARNES. CHASSIS WIRING - W-F - LHC	14G	1
0627-1	534383		HARNES. CHASSIS WIRING - C-K - LHC	14G	1
			NOTE 12		
			NOTE 13		

NOTES { 12 - USED ON MODEL 14G BEFORE CAR SERIAL G-1,235,258.
 13 - USED ON AND AFTER CAR SERIAL IN NOTE 12.

ELECTRICAL

0627

ILLUST. NUMBER	PART NUMBER	CHANGE	DESCRIPTION	MODELS	PER CAR
0627- CHASSIS WIRING, JUNCTION BLOCK, CIRCUIT BREAKER					
-Cont'd. (Plates 06-1, 2, 3, 4)					
	533579		HARN. CHASSIS WIRING - W-F - RHC.	14G	1
0627-1	532623		HARN. CHASSIS WIRING - W-F-Y - LHC } NOTE 10	4H.	1
0627-1	533097		HARN. CHASSIS WIRING - C-K - LHC.	4H.	1
0627-1	534403		HARN. CHASSIS WIRING - W-F-Y - LHC } NOTE 11	4H.	1
0627-1	534391		HARN. CHASSIS WIRING - C-K - LHC.	4H.	1
	533727		HARN. CHASSIS WIRING - W-F-Y - RHC.	4H.	1
TYPE					
	905731		CLIP. TO INST. CLUSTER STUD 5/8" - LHC.	10G, 12G	2
	905731		CLIP. TO FENDER APRON 5/8" - LHC.	12G	1
	526600X3		CLIP. TO INST. PANEL 4" LONG.	10G, 12G, H, 3H.	1
	171154		CLIP. TO DASH 5/8" - RHC.	10G, 12G, H, 3H.	1
	182050		CLIP. TO RADIATOR STUD BAR 1/2"	10G, H	2
	181814		CLIP. TO DASH - RHC	10G, 12G, H, 3H.	1
	172653		CLIP. TO FLOOR PAN - RHC.	10G, 12G, H, 3H.	1
	511382		CLIP. TO VOLTAGE REGULATOR SCREW 3/8" - LHC	H, 3H.	1
	172512		CLIP. TO DASH 1/2"	H, 3H.	1
	172651		CLIP. TO DASH 3/16" - LHC	H, 3H.	2
	521987		CLIP. PROTECTOR, TO FRAME - S-K	10G, 12G, H, 3H.	1
	526600X3		CLIP. TO INST. PANEL 4" LONG.	14G, 4H.	1
	526600X3		CLIP. TO BATTERY CABLE 4" LONG - W-F.	14G	1
	186090		CLIP. TO STEERING GEAR (WITH POWER STEER.) C-K.	14G	1
	526600X4		CLIP 3" LONG - C-K.	14G, 4H.	1
	182050		CLIP. TO FENDER APRON 1/2" - W-F-Y.	4H.	1
	905731		CLIP. TO FENDER APRON 5/8" - RHC.	14G, 4H.	3
	171154		CLIP. TO DASH 5/8" - RHC.	14G, 4H.	3
	511382		CLIP. TO FENDER APRON 3/8" - W-F-Y - RHC.	14G, 4H.	1
	181814		CLIP. TO FLOOR PAN - RHC.	14G, 4H.	1
	533098		CLIP. PROTECTOR, TO FRAME - K	14G, 4H.	1
	182050		CLIP. TO DASH 1/2" - W-F-Y - LHC.	4H.	1
	173426		CLIP. TO DASH - C-K	4H.	1
	181814		CLIP. TO DASH - W-F-Y - RHC	14G, 4H.	1
	511382		CLIP. TO VOLTAGE REGULATOR SCREW 3/8" - W-F-Y	4H.	1
	511382		CLIP. VOLTAGE REGULATOR LEAD TO DASH 3/8" - W-F-Y	4H.	1
	651-#14-8		SCREW, No. 14X1/2"	10G, 12G, 14G, H, 3H, 4H	*
	55-0416		BOLT, TO FLOOR PAN 1/4"-20X1"	10G, 12G, 14G, H, 3H, 4H	1
	251-04		NUT, HEX. 1/4"-20.	10G, 12G, 14G, H, 3H, 4H	1
	----		WASHER, LOCK 1/4".	10G, 12G, 14G, H, 3H, 4H	1
0627-7	530177		HARN. TAIL LAMP CABLES - LHC.	10G, 12G	1
	530827		HARN. TAIL LAMP CABLES - RHC.	10G, 12G	1
0627-7	530177		HARN. TAIL LAMP CABLES - LHC } EXCEPT Y	H, 3H.	1
	530827		HARN. TAIL LAMP CABLES - RHC }	H, 3H.	1
0627-7	530178		HARN. TAIL LAMP CABLES - LHC } Y.	H, 3H.	1
	530828		HARN. TAIL LAMP CABLES - RHC }	H, 3H.	1
0627-7	532634		HARN. TAIL LAMP CABLES - NOTES 10, 12.	14G, 4H.	1
0627-7	532634		HARN. TAIL LAMP CABLES - W-F-Y }	14G, 4H.	1
0627-7	534367		HARN. TAIL LAMP CABLES - C-K. } NOTES 11, 13	14G, 4H.	1
	529401		CLIP. TO REAR CROSSMEMBER	10G, 12G, H, 3H.	2
	525560		CLIP. TO FRAME.	10G, 12G, H, 3H.	6
	525561		CLIP. TO FRAME, REAR.	10G, 12G, H, 3H.	1
	532869		CLIP. TO REAR CROSSMEMBER	14G, 4H.	2
	525560		CLIP. TO FRAME.	14G, 4H.	4
	----		CLIP. TO FRAME (SEE GROUP 1107)	14G, 4H.	3
	526600X4		CLIP. LACER, TO CHASSIS CABLES - LHC.	4H.	1

- NOTES {
- * - USE AS REQUIRED.
 - 10 - USED ON MODEL 4H BEFORE CAR SERIAL H-8, 313, 577.
 - 11 - USED ON AFTER CAR SERIAL IN NOTE 10.
 - 12 - USED ON MODEL 14G BEFORE CAR SERIAL G-1, 235, 258.
 - 13 - USED ON AND AFTER CAR SERIAL IN NOTE 12.

ELECTRICAL

0630

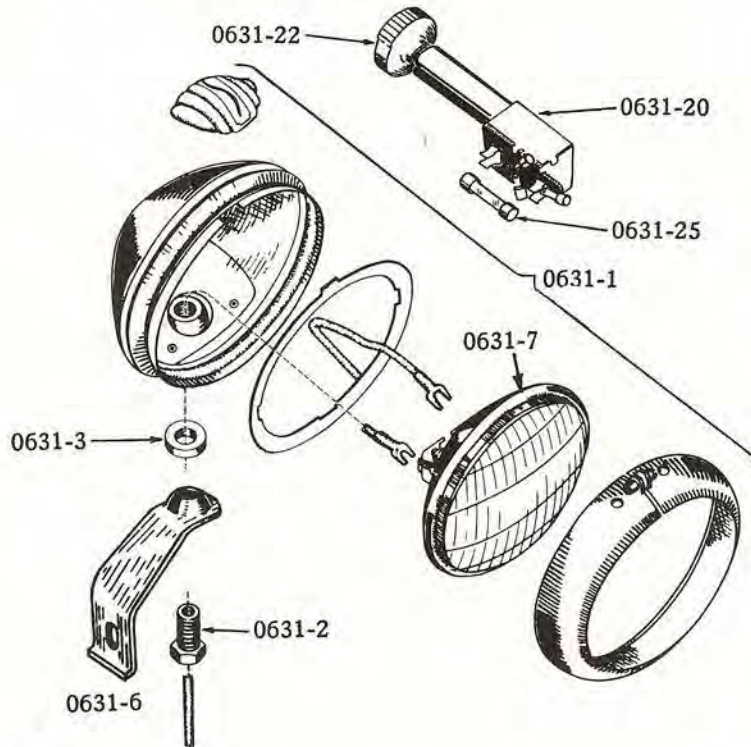
ILLUST. NUMBER	PART NUMBER	CHANGE	DESCRIPTION	MODELS	PER CAR
0627- CHASSIS WIRING, JUNCTION BLOCK, CIRCUIT BREAKER					
-Cont'd. (Plates 06-1, 2, 3, 4)					
0627-12	192547		CONNECTOR, CHASSIS CABLES TO TAIL LAMP CABLES (6 WIRE) . . .	10G, 12G, 14G, H, 3H, 4H	1
0627-12	192545		CONNECTOR, CHASSIS CABLES TO TAIL LAMP CABLES (2 WIRE) . . .	14G, 4H.	1
	192545		CONNECTOR, HEAD LAMP DIRECTIONAL SIGNALS (2 WIRE)	10G, 12G, H, 3H.	2
	192545		CONNECTOR, TAIL AND STOP LAMP CABLES (2 WIRE)	10G, 12G, H, 3H.	4
0627-13	192547		CONNECTOR, TAIL AND STOP LAMP CABLES (6 WIRE)	14G, 4H.	2
	192546		CONNECTOR, STOP LAMP CABLES (3 WIRE)	10G, 12G, 14G, H, 3H, 4H	1
	514466		CONNECTOR, STOP LAMP SWITCH TERMINAL.	10G, 12G, 14G, H, 3H, 4H	2
0627-15	198061		JUNCTION BLOCK, HEAD LAMP CABLES.	10G, H	2
0627-15	519186		JUNCTION BLOCK, HEAD LAMP CABLES.	12G, 14G, 3H, 4H	1
	651-#14-8		SCREW, TO APRON No. 14X1/2".	10G, 12G, 14G, H, 3H, 4H	4
	280-#10		NUT, TERMINAL No. 10-32.	10G, 12G, 14G, H, 3H, 4H	6
	384-#10		WASHER, SH'PRF. No. 10.	10G, 12G, 14G, H, 3H, 4H	6
0615-6	----		CIRCUIT BREAKER, LIGHTING SWITCH (SEE GROUP 0615)	10G, 12G, H, 3H.	1
0627-16	523056		CIRCUIT BREAKER, AUXILIARY LIGHTING	10G, 12G, H, 3H.	1
	532686		CIRCUIT BREAKER, LIGHTING SWITCH.	14G, 4H.	1
0627-16	532685		CIRCUIT BREAKER, AUXILIARY LIGHTING	14G, 4H.	1
	620-#8-20		SCREW, FASTENING No. 8X3/8".	10G, 12G, H, 3H.	2
	280-#10		NUT, TERMINAL No. 10-32.	10G, 12G, 14G, H, 3H, 4H	4
	----		WASHER, LOCK No. 10	10G, 12G, 14G, H, 3H, 4H	4
	526353		BRACKET, AUXILIARY LIGHTING CIRCUIT BREAKER - RHC	10G, 12G	1
	530253		BRACKET, AUXILIARY LIGHTING CIRCUIT BREAKER - LHC	H, 3H.	1
	532760		BRACKET, CIRCUIT BREAKERS	14G, 4H.	1
	620-#8-8W		SCREW, TO DASH No. 8X1/2" (FOR 526353)	10G, 12G	1
	280-#10		NUT, TO DASH No. 10-32	H, 3H.	2
	384-#10		WASHER, SH'PRF. No. 10 } FOR 520253	H, 3H.	2
145-#10-10W			BOLT, TO DASH No. 10-24X5/8" } FOR 532760	14G, 4H.	2
	279-#10		NUT, HEX. No. 10-24	14G, 4H.	2
	----		WASHER, LOCK No. 10	14G, 4H.	2
	532758		INSULATOR, CIRCUIT BREAKER - FISH PAPER	14G, 4H.	1
	532759		CONNECTOR, CIRCUIT BREAKER.	14G, 4H.	1
	280-#10		NUT, TO CIRCUIT BREAKER No. 10-32.	14G, 4H.	1
	----		WASHER, LOCK No. 10	14G, 4H.	1
	195802		GROMMET, CHASSIS CABLES DASH - RUBBER	10G, 12G, H, 3H.	1
	532909		GROMMET, CHASSIS CABLES DASH - RUBBER	14G, 4H.	1
	195803		RETAINER, CHASSIS CABLES DASH GROMMET	10G, 12G, H, 3H.	1
	614-#10-8		SCREW, TO DASH No. 10X1/2"	10G, 12G, H, 3H.	1
0627-20	530299		CABLE, GENERATOR TO VOLTAGE REGULATOR	H	1
0627-20	531439		CABLE, GENERATOR TO VOLTAGE REGULATOR	3H.	1
0627-20	532633		CABLE, GENERATOR TO VOLTAGE REGULATOR - EXCEPT C-K } U.S.A.	4H.	1
0627-20	532982		CABLE, GENERATOR TO VOLTAGE REGULATOR - C-K	4H.	1
	532672		CABLE, GENERATOR TO VOLTAGE REGULATOR - EXCEPT C-K } CANADA	4H.	1
	533307		CABLE, GENERATOR TO VOLTAGE REGULATOR - C-K	4H.	1
<p>FOR MISC. WIRING, TERMINALS ETC. USED IN THIS AND THE FOLLOWING GROUP SEE S-707 IGNITION CABLE, WIRING AND TERMINAL ASSORTMENT LISTED IN GROUP 06 OF STUDEBAKER DEALERS PARTS PURCHASING GUIDE.</p>					
0630- BATTERY AND STARTING CABLES AND GROUND STRAPS					
(Plates 06-1, 2, 3, 4)					
0630-1	529408X27		CABLE, BATTERY TO STARTER SWITCH.	10G, 12G, 14G, H	1
0630-1	531597		CABLE, BATTERY TO STARTER SWITCH.	3H.	1
0630-1	532639		CABLE, BATTERY TO STARTER SWITCH - EXCEPT C-K	4H.	1
0630-1	533567		CABLE, BATTERY TO STARTER SWITCH - C-K.	4H.	1
0630-3	530106		CABLE, STARTER SWITCH TO MOTOR.	H	1
0630-3	531598		CABLE, STARTER SWITCH TO MOTOR.	3H.	1

ELECTRICAL

0630

ILLUST. NUMBER	PART NUMBER	CHANGE	DESCRIPTION	MODELS	PER CAR
0630- BATTERY AND STARTING CABLES AND GROUND STRAPS					
-Cont'd. (Plates 06-1, 2, 3, 4)					
0630-3	533823		CABLE, STARTER SWITCH TO MOTOR - W-F-Y } LESS POWER STEER.	4H.	1
0630-3	533080		CABLE, STARTER SWITCH TO MOTOR - C-K. } NOTE 10	4H.	1
0630-3	533783		CABLE, STARTER SWITCH TO MOTOR - EXCEPT C-K } NOTE 11	4H.	1
0630-3	534354		CABLE, STARTER SWITCH TO MOTOR - C-K.	4H.	1
	182050		CLIP, TO DASH.	H	1
	614-#14-8		SCREW, TO DASH No. 14X1/2".	H	1
0630-5	529409X16		STRAP, BATTERY GROUND 16" LONG.	10G	1
0630-5	530107		STRAP, BATTERY GROUND 11 1/2" LONG.	12G, H, 3H.	1
0630-5	529409X16		STRAP, BATTERY GROUND 16" LONG - EXCEPT C-K	14G, 4H.	1
	251-05		NUT, TO CYL. HEAD SCREW 5/16"X18	10G	1
	361-05		WASHER, PLAIN 5/16"	10G.	1
	380-05		WASHER, LOCK 5/16".	10G	1
0630-5	532867		CABLE, BATTERY GROUND 22 1/2" LONG - C-K.	14G	1
	529411X8		STRAP, ENGINE GROUND 8 1/2" LONG.	10G, 12G, 14G, H, 3H, 4H	1
	650-058		SCREW, TO BRACKET 5/16"X1/2"	10G, 12G, 14G, H, 3H, 4H	1
	367-05		WASHER, PLAIN 5/16"	10G, 12G, 14G, H, 3H, 4H	1

0631- FOG LAMPS (Accessory Equipment)



AC-2121	FOG LAMP KIT (U.S.A.)	10G, H	1
AC-1991	FOG LAMP KIT (CANADA.	10G, H	1
AC-2256	FOG LAMP KIT - LHC.	12G, 3H.	1
AC-2257	FOG LAMP KIT - RHC.	12G, 3H.	1

NOTES { 10 - USED ON MODEL 4H BEFORE CAR SERIAL H-8, 313, 577.
 11 - USED ON AND AFTER CAR SERIAL IN NOTE 10.

ELECTRICAL

063

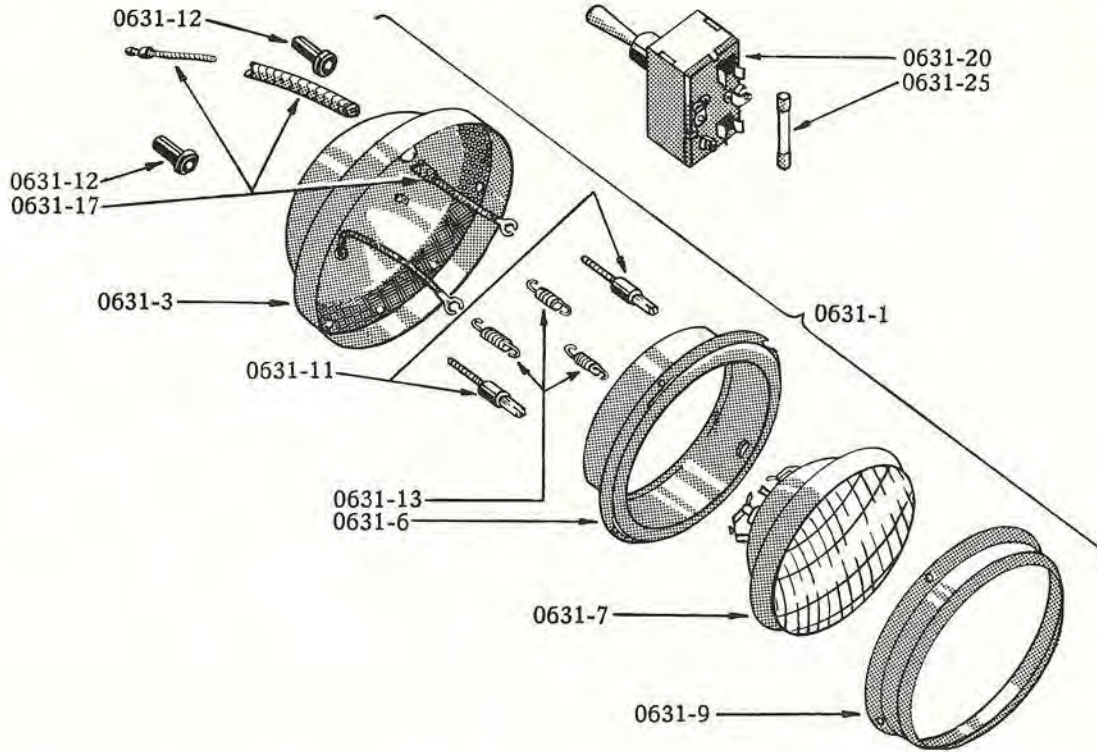
ILLUST. NUMBER	PART NUMBER	CHANGE	DESCRIPTION	MODELS	PER CAR
0631- FOG LAMPS-Cont'd. (Accessory Equipment)					
0631-1	526448		LAMP, FOG (U.S.A.)	10G, H	2
	531975		LAMP, FOG.	12G, 3H.	2
	527790		SCREW, TO BRACKET	10G, H	2
	1-0716		SCREW, TO BRACKET 7/16"-14X1"	12G, 3H.	2
	527789		WASHER, SWIVEL	10G, 12G, H, 3H.	2
	380-07		WASHER, LOCK 7/16"	10G, 12G, H, 3H.	2
	529259		LAMP, FOG (CANADA)	10G, H	2
	251-07		NUT, TO BRACKET	10G, H	2
	380-07		WASHER, LOCK 7/16"	10G, H	2
	0631-6	526212		BRACKET, RIGHT, FOG LAMP (U.S.A.)	10G, H
526213			BRACKET, LEFT, FOG LAMP (U.S.A.)	10G, H	1
529260			BRACKET, RIGHT, FOG LAMP (CANADA)	10G, H	1
529261			BRACKET, LEFT, FOG LAMP (CANADA)	10G, H	1
2-0516			BOLT, FASTENING 5/16"-24X1"	10G, H	2
252-05			NUT, HEX. 5/16"-24	10G, H	2
367-05			WASHER, PLAIN 5/16"	10G, H	2
380-05			WASHER, LOCK 5/16"	10G, H	2
531940W			BRACKET, FOG LAMP.	12G, 3H.	2
1-0516			SCREW, TO BUMPER 5/16"-18X1"	12G, 3H.	2
----			BOLT, TO BUMPER 1/4"-20X5/8"	12G, 3H.	2
251-04			NUT, HEX. 1/4"-20.	12G, 3H.	2
----			WASHER, PLAIN 1/4"	12G, 3H.	2
----			WASHER, LOCK 1/4"	12G, 3H.	2
0631-7	AC-1384		SEALED BEAM UNIT, FOG LAMP (U.S.A.)	10G, H	2
	AC-1384		SEALED BEAM UNIT, FOG LAMP	12G, 3H.	2
	529262		BULB AND LENS, FOG LAMP (CANADA)	10G, H	2
0631-20	530143		SWITCH, FOG LAMP	10G, H	1
	530143		SWITCH, FOG LAMP - LHC	12G, 3H.	1
	526349		SWITCH, FOG LAMP - RHC	12G, 3H.	1
	195594W		NUT, TO INST. BOARD	10G, H	1
	195594W		NUT, TO INST. BOARD - LHC	12G, 3H.	1
	262-06		NUT, TO INST. BOARD - RHC	12G, 3H.	1
	----		WASHER, PLAIN 3/8" - RHC	12G, 3H.	1
384-06		WASHER, LOCK 3/8" - RHC.	12G, 3H.	1	
0631-22	530154		KNOB, FOG LAMP SWITCH.	10G, H	1
	531719W		KNOB, FOG LAMP SWITCH - LHC.	12G, 3H.	1
	526228		KNOB, FOG LAMP SWITCH - RHC.	12G, 3H.	1
	229-#10-5		SET SCREW, No. 10X5/16"	10G, H	1
----		SET SCREW, No. 10X1/4" - LHC.	12G, 3H.	1	
0631-25	108932		FUSE, FOG LAMP SWITCH.	10G, 12G, H, 3H.	1
	529210		CABLES, FOG LAMP TO SWITCH CONNECTOR (U.S.A.)	10G, H	1
	530318		CABLES, FOG LAMP TO SWITCH CONNECTOR (CANADA)	10G, H	1
	531976		CABLES, FOG LAMP TO SWITCH CONNECTOR	12G, 3H.	1
	526174		CLIP, TO BUMPER BAR	10G, 12G, H, 3H.	2
	530295X3		CABLE, FOG LAMP SWITCH TO AMMETER.	10G, H	1
	530295X3		CABLE, FOG LAMP SWITCH TO AMMETER - LHC.	12G, 3H.	1
	530295X4		CABLE, FOG LAMP SWITCH TO AMMETER - RHC.	12G, 3H.	1
	526429		CABLE, FOG LAMP SWITCH TO LIGHT SWITCH	10G, 12G, H, 3H.	1
	192545		CONNECTOR, CABLES (2 WIRES).	10G, 12G, H, 3H.	2
	530319		GROMMET, FOG LAMP CABLES (CANADA).	10G, H	2

ELECTRICAL

0631

ILLUST. NUMBER	PART NUMBER	CHANGE	DESCRIPTION	MODELS	PER CAR
----------------	-------------	--------	-------------	--------	---------

0631- FOG LAMPS-Cont'd. (Accessory Equipment)



----		GRILLE GUARD AND FOG LAMP KIT - SEE GROUP 1807.	14G, 4H.	1
AC-2325		FOG LAMP KIT.	14G, 4H.	1
0631-1	533835	LAMP, FOG (INCL. IN AC-2325).	14G, 4H.	2
	41-#12-8	SCREW AND LOCK WASHER, TO GRILLE GUARD No. 12-24X1/2".	14G, 4H.	6
0631-3	534147	HOUSING, FOG LAMP	14G, 4H.	2
0631-6	534148	BASE, SEALED BEAM UNIT MOUNTING	14G, 4H.	2
0631-13	534151	SPRING, RETAINER	14G, 4H.	6
0631-7	AC-1384	SEALED BEAM UNIT, FOG LAMP.	14G, 4H.	2
0631-9	534149	RING, SEALED BEAM UNIT RETAINING.	14G, 4H.	2
	----	SCREW, TO BASE No. 8-32X1/4"	14G, 4H.	6
	380-#8	WASHER, LOCK No. 8.	14G, 4H.	6
0631-11	534150	SCREW, FOG LAMP FOCUSING.	14G, 4H.	4
0631-12	534152	BOOT, FOCUSING SCREW.	14G, 4H.	4
0631-17	534153	CABLE, FOG LAMP	14G, 4H.	2
0631-20	532136	SWITCH, FOG LAMP.	14G, 4H.	2
	221-#10-7	SET SCREW No. 10-24X7/16"	4H.	1
	533700	NUT, FASTENING	14G	1
	533725	LOCK NUT.	14G	1
0631-25	108932	FUSE, FOG LAMP SWITCH	14G, 4H.	1
	533731	CABLES, FOG LAMP TO SWITCH.	14G, 4H.	1
	530295X7	CABLE, FOG LAMP SWITCH TO AMMETER	14G, 4H.	1
	533729X1	CABLE, FOG LAMP SWITCH TO LIGHT SWITCH.	14G, 4H.	1
	192545	CONNECTOR, FOG LAMP CABLES (2 WIRE) INCL. IN AC-2325.	14G, 4H.	2

ELECTRICAL

0632

ILLUST. NUMBER	PART NUMBER	CHANGE	DESCRIPTION	MODELS	PER CAR
0632- BACK-UP LAMP (Plate 06-19)					
AC-2134			BACK-UP LAMP KIT - SINGLE	10G, 12G, H, 3H.	1
AC-2135			BACK-UP LAMP KIT - PAIR } WITH ST AND OD - INCL. SWITCH		
AC-2178			BACK-UP LAMP KIT - SINGLE	10G, 12G, H, 3H.	1
AC-2179			BACK-UP LAMP KIT - PAIR } WITH AD	10G, 12G, H, 3H.	1
AC-2332			BACK-UP LAMP KIT - SINGLE - W-F-Y	14G, 4H.	1
AC-2333			BACK-UP LAMP KIT - PAIR - W-F-Y	14G, 4H.	1
AC-2330			BACK-UP LAMP KIT - SINGLE - C-K	14G, 4H.	1
AC-2331			BACK-UP LAMP KIT - PAIR - C-K } LESS SWITCH	14G, 4H.	1
AC-2334			SWITCH KIT, BACK-UP LAMP (WITH ST AND OD) (LESS POWER STEER.)	14G, 4H.	1
AC-2444			SWITCH KIT, BACK-UP LAMP (WITH ST AND OD) (WITH POWER STEER.) NOTE 11	14G, 4H.	1
527668			LAMP, BACK-UP	10G, 12G, H, 3H.	1
533558			LAMP, RIGHT, BACK-UP } W-F-Y	14G, 4H.	1
533559			LAMP, LEFT, BACK-UP	14G, 4H.	1
533560			LAMP, RIGHT, BACK-UP } C-K	14G, 4H.	1
533561			LAMP, LEFT, BACK-UP	14G, 4H.	1
279-#10			NUT, TO BODY No. 10-24	10G, 12G, 14G, H, 3H, 4H	2
384-#10			WASHER, SH'PRF. No. 10	10G, 12G, 14G, H, 3H, 4H	2
0632-5	526286		GASKET, BACK-UP LAMP MOUNTING	10G, 12G, H, 3H.	1
0632-5	533653		GASKET, BACK-UP LAMP MOUNTING - W-F-Y	14G, 4H.	1
0632-5	533564		GASKET, BACK-UP LAMP MOUNTING - C-K	14G, 4H.	1
0632-9	526284		LENS, BACK-UP LAMP	10G, 12G, H, 3H.	1
0632-9	533562		LENS, BACK-UP LAMP	14G, 4H.	1
0632-11	526285		GASKET, BACK-UP LAMP LENS	10G, 12G, H, 3H.	1
0632-11	533563		GASKET, BACK-UP LAMP LENS	14G, 4H.	1
0632-13	282012		BULB, BACK-UP LAMP (MAZDA No. 1129)	10G, 12G, H, 3H.	1
0632-13	523439		BULB, BACK-UP LAMP (MAZDA No. 1133)	14G, 4H.	1
0632-15	522966		SWITCH, BACK-UP LAMP	10G, 12G, H, 3H.	1
0632-15	533460		SWITCH, BACK-UP LAMP (LESS POWER STEER.)	14G, 4H.	1
0632-15	534389		SWITCH, BACK-UP LAMP (WITH POWER STEER.) NOTE 11	14G, 4H.	1
0853-1	----		SWITCH, BACK-UP LAMP (WITH AD) SEE STARTER CUT-OUT SWITCH - GROUP 0853	10G, 12G, 14G, H, 3H, 4H	1
	----		SCREW, TO STEERING POST JACKET No. 10X1/4" (FOR 533460)	14G, 4H.	2
0632-16	256-07		NUT, TO BRACKET 7/16"-20	10G, 12G, H, 3H.	1
	380-07		WASHER, LOCK 7/16"	10G, 12G, H, 3H.	1
0632-18	530676		BRACKET, BACK-UP LAMP SWITCH (WITH ST AND OD)	10G, 12G, H, 3H.	1
0632-18-1	672807		LOCK NUT	10G, 12G, H, 3H.	2
0632-19	530677		SUPPORT, BACK-UP LAMP SWITCH BRACKET (WITH ST AND OD)	10G, 12G, H, 3H.	1
0632-20	533565		ROD, BACK-UP LAMP SWITCH OPERATING - NOTE 10	14G, 4H.	1
0632-20	533565		ROD, BACK-UP LAMP SWITCH OPERATING (LESS POWER STEER) } NOTE	14G, 4H.	1
0632-20	534397		ROD, BACK-UP LAMP SWITCH OPERATING (WITH POWER STEER) } 11	14G, 4H.	1
	----		COTTER 1/16"X1/2"	14G, 4H.	1
0632-21	526428		CABLE, BACK-UP LAMP SWITCH TO TAIL LAMP CABLES CONNECTOR	10G, 12G, H, 3H.	1
0632-21	530295X5		CABLE, BACK-UP LAMP SWITCH TO TAIL LAMP CABLES CONNECTOR	14G, 4H.	1
0632-25	527192		CABLE, BACK-UP LAMP SWITCH TO LAMP	10G, 12G, H, 3H.	1
0632-25	530295X6		CABLE, BACK-UP LAMP SWITCH TO LAMP	14G, 4H.	1
	527193		CABLE, BACK-UP LAMP JUMPER (DUAL LAMP)	10G, 12G, H, 3H.	1
	533314		TERMINAL, SPADE TYPE	14G, 4H.	2
	526600X5		CLIP, LACER TYPE	10G, 12G, 14G, H, 3H, 4H	4
	182050		CLIP, TO DECK LID HINGE	14G, 4H.	1
	299737		CLIP, TO TRUNK GUTTER - W-F-Y	14G, 4H.	4
	292386		CLIP, TO TRUNK GUTTER - C-K	14G, 4H.	4

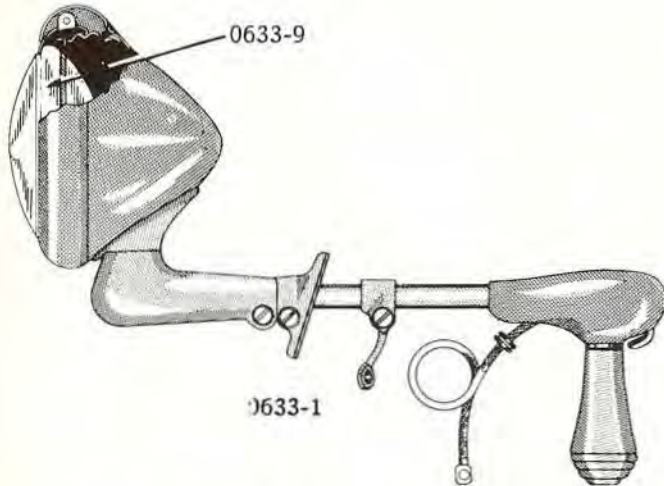
NOTES { 10 - USED ON MODEL 4H BEFORE CAR SERIAL H-8, 313, 577.
11 - USED ON AND AFTER CAR SERIAL IN NOTE 10.

ELECTRICAL

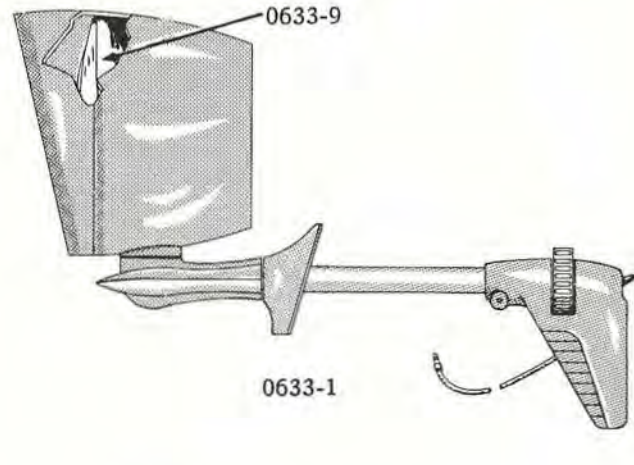
0632

ILLUST. NUMBER	PART NUMBER	CHANGE	DESCRIPTION	MODELS	PER CAR
0632- BACK-UP LAMP-Cont'd. (Plate 06-19)					
	192545		CONNECTOR, BACK-UP LAMP CABLES (2 WIRE)	10G, 12G, 14G, H, 3H, 4H	1
	192546		CONNECTOR, BACK-UP LAMP CABLES (3 WIRE) (DUAL LAMP EQ.)	10G, 12G, H, 3H.	1
	192546		CONNECTOR, BACK-UP LAMP CABLES (3 WIRE)	14G, 4H.	1
	527200		GROMMET, BACK-UP LAMP CABLES	10G, 12G, 14G, H, 3H, 4H	1

0633- SPOTLIGHT



MODELS 10G, 12G — H, 3H



MODELS 14G—4H

0633-1	AC-1432	SPOTLIGHT ASSEMBLY, RIGHT	} INCLS. FASTENING PARTS.	10G, 12G, H, 3H.	1
0633-1	AC-1431	SPOTLIGHT ASSEMBLY, LEFT		10G, 12G, H, 3H.	1
0633-1	AC-2328	SPOTLIGHT ASSEMBLY,		14G, 4H.	1
0633-9	AC-1690	SEALED BEAM UNIT, SPOTLIGHT		10G, 12G, 14G, H, 3H, 4H	1
	534145	EMBLEM, SPOTLIGHT		14G, 4H.	1
	534146	MIRROR, SPOTLIGHT REAR VIEW		14G, 4H.	1
	280-#10	NUT, HEX. No. 10-32.		14G, 4H.	1
	384-#10	WASHER, SH'PRF. No. 10.		14G, 4H.	1
	534144	SWITCH, SPOTLIGHT		14G, 4H.	1
	----	SCREW, TO HANDLE No. 8X3/8".		14G, 4H.	1