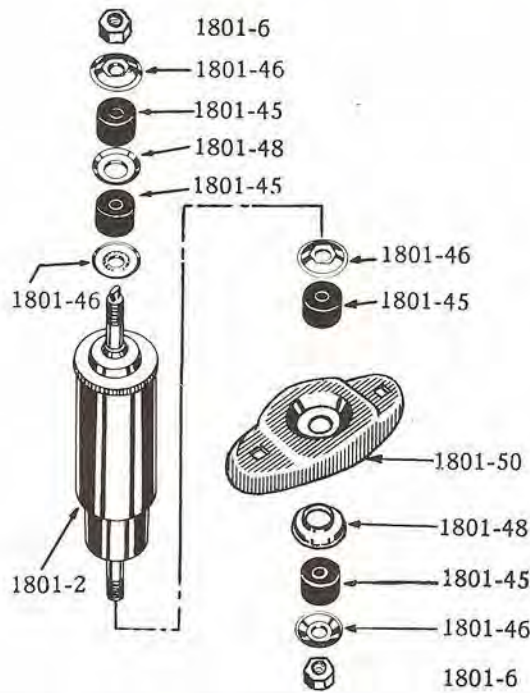
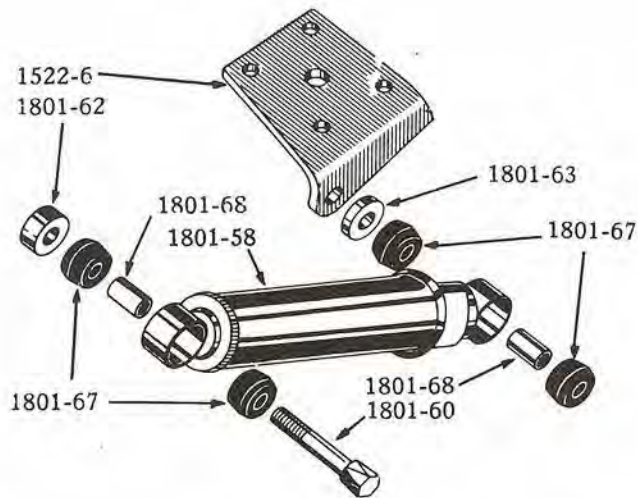


SHOCK ABSORBERS BUMPERS AND GUARDS

Plate 18-1



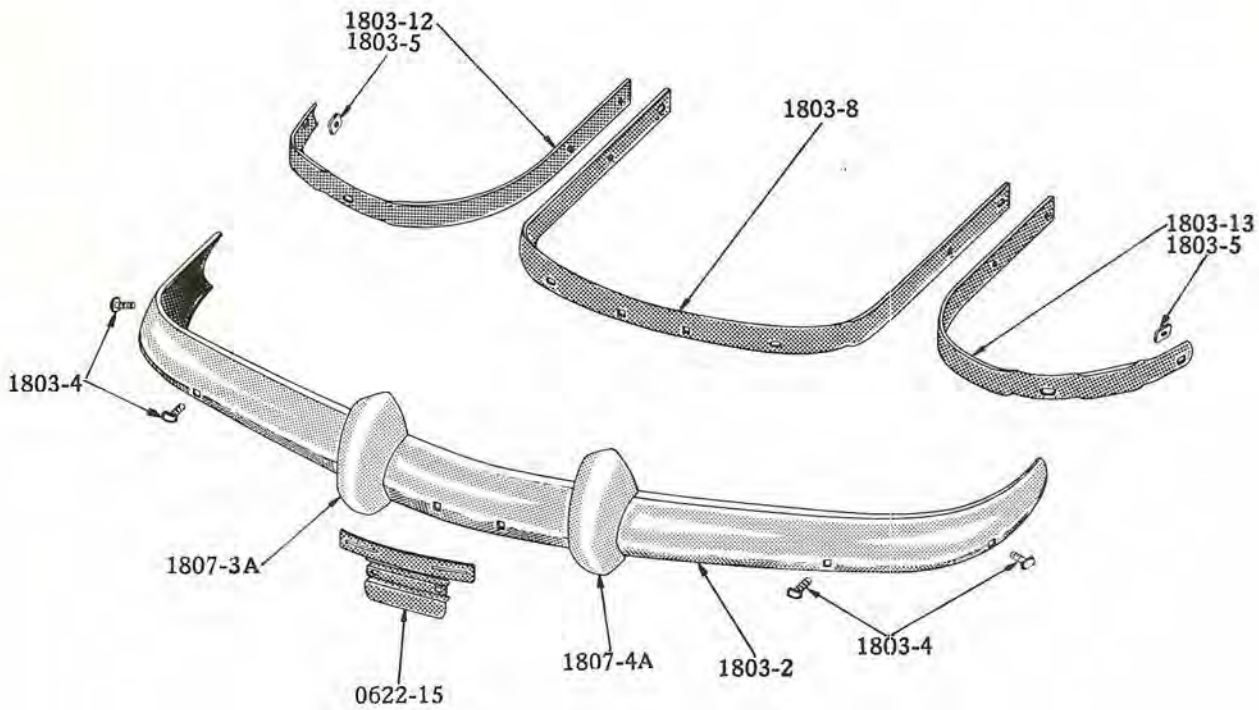
LEFT FRONT SHOCK ABSORBER



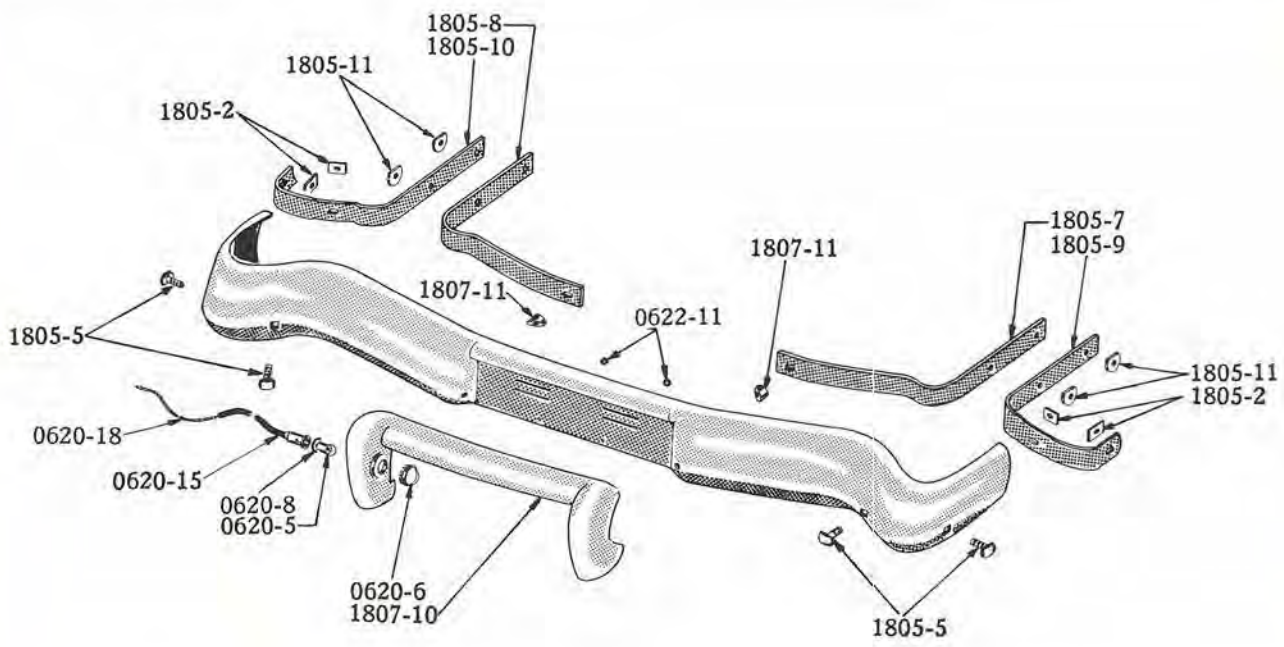
LEFT REAR SHOCK ABSORBER

Plate 18-4

**SHOCK ABSORBERS
BUMPERS AND GUARDS**



FRONT

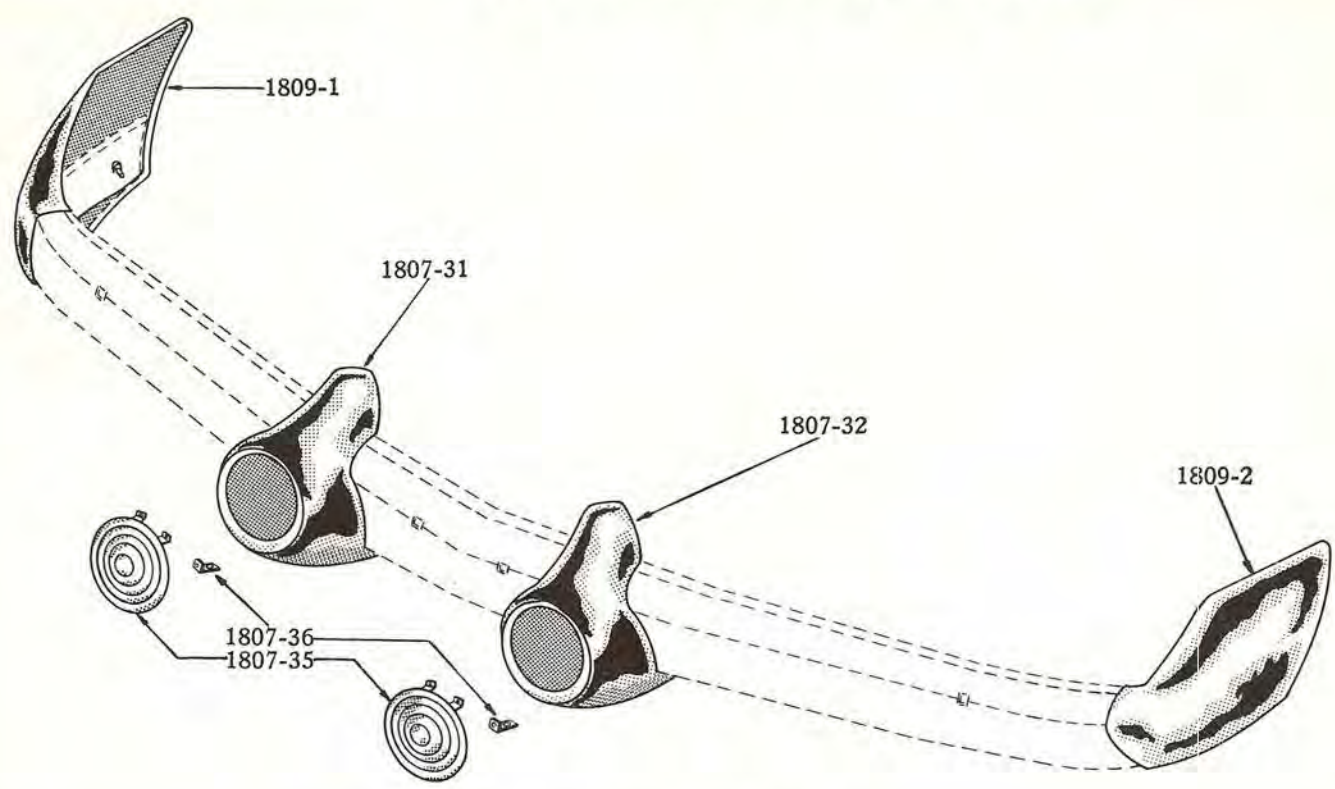


REAR

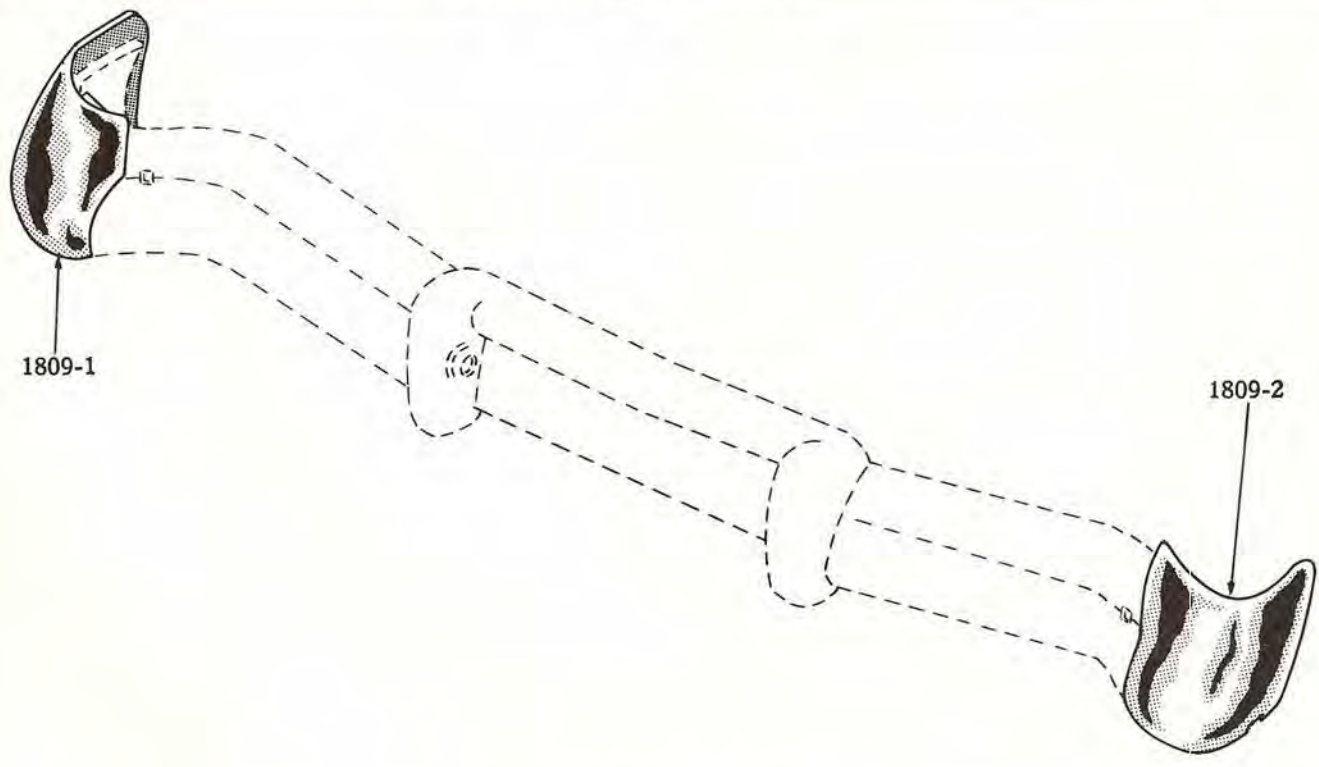
BUMPER BARS and GUARDS - Models 14G, 4H

Plate 18-6

SHOCK ABSORBERS BUMPERS AND GUARDS



MODELS 14G, 4H-FRONT



MODELS 14G, 4H-REAR

VERTICAL BUMPERS AND WINGUARDS

SHOCK ABSORBERS, BUMPERS AND GUARDS

1801

ILLUST. NUMBER	PART NUMBER	CHANGE	DESCRIPTION	MODELS	PER CAR
1801- SHOCK ABSORBERS (Plate 18-1)					
FRONT SHOCK ABSORBERS					
1801-2	527924		SHOCK ABSORBER 1" O.D. - STANDARD	} U.S.A. CARS	10G, 12G, H, 3H 2
1801-2	530971		SHOCK ABSORBER 1" O.D. - HEAVY DUTY - NOTE 5		10G, 12G, H, 3H 2
1801-2	531884		SHOCK ABSORBER 1 1/4" O.D. - HEAVY DUTY - SPECIAL ORDERS		12G, 3H 2
1801-2	530507		SHOCK ABSORBER 1" O.D. - STANDARD	} CANADIAN CARS	10G, 12G, H, 3H 2
1801-2	530508		SHOCK ABSORBER 1" O.D. - HEAVY DUTY		10G, 12G, H, 3H 2
1801-2	532736		SHOCK ABSORBER - STANDARD - W-F-Y - NOTE 1	} U.S.A. CARS	14G, 4H 2
1801-2	534319		SHOCK ABSORBER - STANDARD - W-F - NOTE 2		14G 2
1801-2	534318		SHOCK ABSORBER - STANDARD - W-F-Y - NOTE 2		4H 2
1801-2	533513		SHOCK ABSORBER - STANDARD - C-K - NOTE 1		14G 2
1801-2	534318		SHOCK ABSORBER - STANDARD - C-K - NOTE 2		14G 2
1801-2	533841		SHOCK ABSORBER - STANDARD - C-K - NOTE 1		4H 2
1801-2	534319		SHOCK ABSORBER - STANDARD - C-K - NOTE 2	} CANADIAN CARS	4H 2
1801-2	532746		SHOCK ABSORBER - HEAVY DUTY - HOUDE		14G, 4H 2
1801-2	532742		SHOCK ABSORBER - STANDARD - W-F-Y	14G, 4H 2	
1801-2	532743		SHOCK ABSORBER - STANDARD - C-K	} CANADIAN CARS	14G 2
1801-2	533877		SHOCK ABSORBER - STANDARD - C-K		4H 2
1801-2	530508		SHOCK ABSORBER - HEAVY DUTY - MONROE		14G, 4H 2
1801-6	510569		NUT, FASTENING 3/8"-24	10G, 12G, 14G, H, 3H, 4H	4
	306-06		NUT, LOCK 3/8"-24	10G, 12G, 14G, H, 3H, 4H	4
1801-45	522673		GROMMET, FRONT SHOCK ABSORBER - RUBBER	10G, 12G, 14G, H, 3H, 4H	8
1801-46	510568		RETAINER, FRONT SHOCK ABSORBER GROMMET	10G, 12G, 14G, H, 3H, 4H	8
1801-48	522777		SEAT, FRONT SHOCK ABSORBER GROMMET	10G, 12G, 14G, H, 3H, 4H	4
1801-50	527925		SUPPORT, FRONT SHOCK ABSORBER LOWER	10G, H	2
1801-50	531895		SUPPORT, FRONT SHOCK ABSORBER LOWER	12G, 14G, 3H, 4H	2
	531075		BOLT, TO STEERING KNUCKLE CONTROL ARM 5/16"-24X3/4"	10G, 12G, 14G, H, 3H, 4H	4
	252-05		NUT, HEX. 5/16"-18	10G, 12G, 14G, H, 3H, 4H	4
	380-05		WASHER, LOCK 5/16"	10G, 12G, 14G, H, 3H, 4H	4
REAR SHOCK ABSORBERS					
1801-58	530766		SHOCK ABSORBER 1" O.D. - STANDARD	} U.S.A. CARS	10G, 12G, H, 3H 2
1801-58	530972		SHOCK ABSORBER 1" O.D. - HEAVY DUTY - NOTE 5		10G, 12G, H, 3H 2
1801-58	531885		SHOCK ABSORBER 1 1/4" O.D. - HEAVY DUTY - SPECIAL ORDERS		12G, 3H 2
1801-58	530512		SHOCK ABSORBER 1" O.D. - STANDARD	} CANADIAN CARS	10G, 12G, H, 3H 2
1801-58	530513		SHOCK ABSORBER 1" O.D. - HEAVY DUTY		10G, 12G, H, 3H 2
1801-58	532257		SHOCK ABSORBER - STANDARD	} U.S.A. CARS	14G 2
1801-58	532257		SHOCK ABSORBER - STANDARD - W-F-Y - NOTE 3		4H 2
1801-58	533840		SHOCK ABSORBER - STANDARD - C-K - NOTE 3		4H 2
1801-58	534320		SHOCK ABSORBER - STANDARD - NOTE 4		4H 2
1801-58	532747		SHOCK ABSORBER - HEAVY DUTY - HOUDE		14G, 4H 2
1801-58	532750		SHOCK ABSORBER - STANDARD		14G 2
1801-58	532750		SHOCK ABSORBER - STANDARD - W-F-Y	} CANADIAN CARS	4H 2
1801-58	533880		SHOCK ABSORBER - STANDARD - C-K		4H 2
1801-58	532751		SHOCK ABSORBER - HEAVY DUTY - MONROE	14G, 4H 2	
1801-60	524831		STUD, UPPER 7/16"-20X3 3/8"	10G, 12G, 14G, H, 3H, 4H	2
1801-62	524832		SPACER, STUD 1/2" THICK	10G, 12G, 14G, H, 3H, 4H	2
	252-07		NUT, STUD 7/16"-20	10G, 12G, 14G, H, 3H, 4H	2
	41X377		WASHER, PLAIN 7/16"	10G, 12G, 14G, H, 3H, 4H	2
	380-07		WASHER, LOCK 7/16"	10G, 12G, 14G, H, 3H, 4H	2
	2-0748		BOLT, LOWER 7/16"-20X3"	10G, 12G, 14G, H, 3H, 4H	2
1801-63	527974		SPACER, 1/4" THICK	10G, 12G, 14G, H, 3H, 4H	2
	252-07		NUT, HEX. 7/16"-20	10G, 12G, 14G, H, 3H, 4H	2
	41X377		WASHER, PLAIN 7/16"	10G, 12G, 14G, H, 3H, 4H	2
	380-07		WASHER, LOCK 7/16"	10G, 12G, 14G, H, 3H, 4H	2
1801-67	523117		BUSHING, REAR SHOCK ABSORBER - RUBBER	10G, 12G, 14G, H, 3H, 4H	8
1801-68	524833		SPACER, REAR SHOCK ABSORBER	10G, 12G, 14G, H, 3H, 4H	4

- NOTES**
- 1 - USED ON MODELS 14G 4H BEFORE CAR SERIALS 1,235,611 8,322,372
 - 2 - USED ON AND AFTER CAR SERIALS IN NOTE 1.
 - 3 - USED ON MODEL 4H BEFORE CAR SERIAL 8,316,764.
 - 4 - USED ON AND AFTER CAR SERIALS IN NOTE 3.
 - 5 - LETTER E STENCILED ON SHOCK ABSORBER IN PLACE OF PART NUMBER ON FIRST 1000 10G, H CARS.

1803 SHOCK ABSORBERS, BUMPERS AND GUARDS

ILLUST. NUMBER	PART NUMBER	CHANGE	DESCRIPTION	MODELS	PER CAR
1803- FRONT BUMPERS (Plates 18-2, 3)					
1803-2	530919W		BAR, OUTER FACE, FRONT BUMPER - CHROME - U.S.A.	10G.H.	1
1803-2	525061W		BAR, OUTER FACE, FRONT BUMPER - CHROME - CANADA	10G.H.	1
1803-2	531700W		BAR, OUTER FACE, FRONT BUMPER - CHROME - U.S.A.	12G.3H.	1
1803-2	531697W		BAR, OUTER FACE, FRONT BUMPER - CHROME - CANADA	12G.3H.	1
1803-2	532012W		BAR, OUTER FACE, FRONT BUMPER - CHROME	14G.4H.	1
1803-4	524972		BOLT, TO SUPPORT BARS 7/16"-14X1 1/4"	10G.14G.H.4H.	4
1803-4	524972		BOLT, TO SUPPORT BARS 7/16"-14X1 1/4"	12G.3H.	2
	263-07		NUT, HEX. 7/16"-14.	10G.14G.H.4H.	4
	263-07		NUT, HEX. 7/16"-14.	12G.3H.	2
1803-5	518494		SPACER, TO SUPPORT BAR.	10G.14G.H.4H.	4
1803-5	518494		SPACER, TO SUPPORT BAR.	12G.3H.	2
FRONT BUMPER TO FRAME SUPPORT BARS					
TYPE A			TYPE B		
1803-8	529465		BAR, SUPPORT, INNER	10G.H.	1
1803-12, 13	529466		BAR, SUPPORT, OUTER	10G.H.	2
1803-8	531715P		BAR, SUPPORT, INNER	12G.3H.	1
1803-12	531694P		BAR, SUPPORT, OUTER RIGHT	12G.3H.	1
1803-13	531695P		BAR, SUPPORT, OUTER LEFT	12G.3H.	1
1803-8	532160P		BAR, SUPPORT, INNER	14G.4H.	1
1803-12, 13	532153P		BAR, SUPPORT, OUTER } EXCEPT C-K	14G.4H.	2
1803-8	532280P		BAR, SUPPORT, INNER	14G.4H.	1
1803-12	532312P		BAR, SUPPORT, OUTER RIGHT } C-K - NOTE 6	14G.4H.	1
1803-13	532313P		BAR, SUPPORT, OUTER LEFT } TYPE A	14G.4H.	1
1803-8	534028P		BAR, SUPPORT, INNER	14G.4H.	1
1803-12	534026P		BAR, SUPPORT, OUTER RIGHT } C-K - NOTE 7	14G.4H.	1
1803-13	534027P		BAR, SUPPORT, OUTER LEFT } TYPE B	14G.4H.	1
1803-8	532160P		BAR, SUPPORT, INNER	14G.4H.	1
1803-12, 13	532153P		BAR, SUPPORT, OUTER } EXCEPT C-K	14G.4H.	2
1803-8	532280P		BAR, SUPPORT, INNER	14G.4H.	1
1803-12	532312P		BAR, SUPPORT, OUTER RIGHT } C-K	14G.4H.	1
1803-13	532313P		BAR, SUPPORT, OUTER LEFT } CANADIAN CARS	14G.4H.	1
	2-0748		BOLT, TO FRAME 7/16"-20	10G.12G.14G.H.3H.4H	4
	264-07		NUT, HEX. 7/16"-20. } NOTE 6	10G.12G.14G.H.3H.4H	4
	----		WASHER, PLAIN 7/16"	10G.12G.14G.H.3H.4H	4
	2-0616		BOLT, TO FRAME 3/8"-24X1"	14G.4H.	4
	252-06		NUT, HEX. 3/8"-24. } NOTE 7	14G.4H.	4
	380-06		WASHER, LOCK 3/8"	14G.4H.	4
	2-0748		BOLT, TO FRAME 7/16"-20	14G.4H.	4
	264-07		NUT, HEX. 7/16"-20. } CANADIAN CARS	14G.4H.	4
	----		WASHER, PLAIN 7/16"	14G.4H.	4
	534154		SPACER, SUPPORT BAR TO FRAME - C-K.	14G.4H.	2
1803-14-1	530835		GROMMET, BAR TO SPLASHGUARD	10G.H.	4

NOTES { 6 - USED ON MODELS 14G 4H BEFORE CAR SERIALS G 1,216,626 H 8,303,083
 7 - USED ON AND AFTER CAR SERIALS IN NOTE 1.

1807 SHOCK ABSORBERS, BUMPERS AND GUARDS

ILLUST. NUMBER	PART NUMBER	CHANGE	DESCRIPTION	MODELS	PER CAR
1807- BUMPER GUARDS OR VERTICAL BUMPERS (Plates 18-2, 3, 4)					
AC-2137		✓	VERTICAL BUMPER, WINGUARD AND CROSS BAR KIT, FRONT BUMPER - CONSISTS OF:	10G.H	1
	1-530852 BUMPER		2-251-05 NUT		
	1-530853 BUMPER		4-251-06 NUT		
	1-527622 WINGUARD		2-361-05 WASHER		
	1-527623 WINGUARD		4- - - - WASHER		
	1-527669 BAR		2-380-05 WASHER		
	2-1-0512 BOLT		4-380-06 WASHER		
AC-2138			VERTICAL BUMPER AND WINGUARD KIT, FRONT OR REAR BUMPER - CONSISTS OF:	10G.H	2
	1-530854 BUMPER		4-251-06 NUT		
	1-530855 BUMPER		4- - - - WASHER		
	1-527622 WINGUARD		4-380-06 WASHER		
	1-527623 WINGUARD				
AC-2202			VERTICAL BUMPER, WINGUARD AND GRILLE BARS KIT, FRONT BUMPER CONSISTS OF:	12G.3H.	1
	1-532282 BUMPER		2-532288 SPACER		
	1-532283 BUMPER		1-532289 STRIP		
	1-532283 WINGUARD		3-1-0624 BOLT		
	1-532285 WINGUARD		5-251-06 NUT		
	1-532286 BAR		7- - - - WASHER		
	1-532287 BAR		5-380-06 WASHER		
AC-2138			VERTICAL BUMPER AND WINGUARD KIT, REAR BUMPER - CONSISTS OF:	12G.3H.	1
	1-530854 BUMPER		4-251-06 NUT		
	1-530855 BUMPER		4-361-06 WASHER		
	1-527622 WINGUARD		4-380-06 WASHER		
	1-527623 WINGUARD				
AC-2323			● GRILLE GUARD AND FOG LAMP KIT, FRONT BUMPER - CONSISTS OF:	14G.4H.	1
	1-533832W GRILLE GUARD		1-530295X7 CABLE		
	1-533833W GRILLE GUARD		1-533731 CABLE		
	1-532136 SWITCH		2-192545 CONNECTOR		
	1-533700 NUT		1-221-#10-7 SCREW		
	1-533725 NUT		2-263-07 NUT		
			1-533729X1 CABLE		
			● - FOR FOG LAMP DETAILS SEE GROUP 0631.		
AC-2324			GRILLE GUARD AND PLATE KIT, FRONT BUMPER - CONSISTS OF:	14G.4H.	1
	1-533832W GRILLE GUARD		6-380-#12 WASHER		
	1-533833W GRILLE GUARD		2-251-04 NUT		
	1-533868P PLATE		4- - - - WASHER		
	2-533834 BRACE		6-55-#12-8 BOLT		
	2-145-#12-10 BOLT		6-279-#12 NUT		
			2-263-07 NUT		
AC-2322			WINGUARD KIT, FRONT BUMPER CONSISTS OF:	14G.4H.	1
	1-533808W WINGUARD		2-263-06 NUT		
	1-533809W WINGUARD		2-361-07 WASHER		
	2-263-07 NUT		2- - - - WASHER		
AC-2326			WINGUARD KIT, REAR BUMPER - W-F-Y - CONSISTS OF:	14G.4H.	1
	1-534076W WINGUARD		4-251-06 NUT		
	1-534077W WINGUARD		2-534072 BOLT		
	4-380-06 WASHER		4- - - - WASHER		
AC-2327			WINGUARD KIT, REAR BUMPER - C-K - CONSISTS OF:	14G.4H.	1
	1-534444W WINGUARD		4- - - - WASHER		
	1-534445W WINGUARD		4-380-06 WASHER		
			4-251-06 NUT		

SHOCK ABSORBERS, BUMPERS AND GUARDS 1807

ILLUST. NUMBER	PART NUMBER	CHANGE	DESCRIPTION	MODELS	PER CAR
1807- BUMPER GUARDS OR VERTICAL BUMPERS-Cont'd.					
(Plates 18-2, 3, 4)					
1807-3A	529436		VERTICAL BUMPER, FRONT RIGHT.	10G.H	1
1807-4A	529437		VERTICAL BUMPER, FRONT LEFT .	10G.H	1
1807-8	529437		VERTICAL BUMPER, REAR RIGHT .	10G.H	1
1807-9	529436		VERTICAL BUMPER, REAR LEFT .	10G.H	1
1807-3A	531706W		VERTICAL BUMPER, FRONT RIGHT.	12G.3H.	1
1807-4A	531707W		VERTICAL BUMPER, FRONT LEFT .	12G.3H.	1
1807-8	531707W		VERTICAL BUMPER, REAR RIGHT .	12G.3H.	1
1807-9	531706W		VERTICAL BUMPER, REAR LEFT .	12G.3H.	1
1807-3A	532032		VERTICAL BUMPER, FRONT RIGHT.	14G.4H.	1
1807-4A	532033		VERTICAL BUMPER, FRONT LEFT .	14G.4H.	1
1807-3A	532024		VERTICAL BUMPER, FRONT RIGHT.	14G.4H.	1
1807-4A	532025		VERTICAL BUMPER, FRONT LEFT .	14G.4H.	1
1807-10	532043		VERTICAL BUMPER, REAR	14G.4H.	1
	524901		VERTICAL BUMPER, FRONT RIGHT.	10G	1
	524900		VERTICAL BUMPER, FRONT LEFT .	10G	1
	524900		VERTICAL BUMPER, REAR RIGHT .	10G	1
	524901		VERTICAL BUMPER, REAR LEFT .	10G	1
1807-3A	529436		VERTICAL BUMPER, FRONT RIGHT.	10G.12G.H.3H.	1
1807-4A	529437		VERTICAL BUMPER, FRONT LEFT .	10G.12G.H.3H.	1
1807-8	529437		VERTICAL BUMPER, REAR RIGHT .	10G.12G.H.3H.	1
1807-9	529436		VERTICAL BUMPER, REAR LEFT .	10G.12G.H.3H.	1
1807-3B	530852		VERTICAL BUMPER, FRONT RIGHT.	10G.H	1
1807-4B	530853		VERTICAL BUMPER, FRONT LEFT .	10G.H	1
1807-3B	530855		VERTICAL BUMPER, FRONT RIGHT.	10G.H	1
1807-4B	530854		VERTICAL BUMPER, FRONT LEFT .	10G.H	1
	530854		VERTICAL BUMPER, REAR RIGHT .	10G.12G.H.3H.	1
	530855		VERTICAL BUMPER, REAR LEFT .	10G.12G.H.3H.	1
1807-3B	532282		VERTICAL BUMPER, FRONT RIGHT.	12G.3H.	1
1807-4B	532283		VERTICAL BUMPER, FRONT LEFT .	12G.3H.	1
	263-07		NUT, FASTENING 7/16"-14	10G.12G.H.3H.	4
	518494		SPACER, TO SUPPORT BAR.	10G.12G.H.3H.	4
	251-06		NUT, FASTENING 3/8"-16	10G.12G.H.3H.	*
	----		WASHER, PLAIN 3/8"	10G.12G.H.3H.	*
	380-06		WASHER, LOCK 3/8"	10G.12G.H.3H.	*
	263-07		NUT, FASTENING 7/16"-14	14G.4H.	4
	532274		SPACER, TO VERTICAL BUMPER	14G.4H.	4
	----		WASHER, PLAIN 7/16"-14	14G.4H.	4
1807-12	531692W		GUARD, RIGHT, FRONT BUMPER LICENSE PLATE.	12G.3H.	1
1807-13	531693W		GUARD, LEFT, FRONT BUMPER LICENSE PLATE	12G.3H.	1
	263-07		NUT, FASTENING 7/16"-14.	12G.3H.	2
	518494		SPACER, TO SUPPORT BAR	12G.3H.	2
1807-15	527669		CROSS BAR, FRONT BUMPER (INCLUDED IN AC-2137 KIT)	10G.H	1
1807-18	1-0512		BOLT, TO BUMPER 5/16"-18X3/4".	10G.H	2
	251-05		NUT, HEX. 5/16"-18.	10G.H	2
	361-05		WASHER, PLAIN 5/16"	10G.H	2
	380-05		WASHER, LOCK 5/16"	10G.H	2
1807-22	532286		GRILLE BAR, RIGHT, FRONT BUMPER } INCLUDED IN.	12G.3H.	1
1807-23	532287		GRILLE BAR, LEFT, FRONT BUMPER. } AC-2202 KIT.	12G.3H.	1
1807-26	532288		SPACER, TO VERTICAL BUMPER	12G.3H.	2
	1-0624		BOLT, TO BUMPER 3/8"-16X1 3/8"	12G.3H.	3
	251-06		NUT, HEX. 3/8"-16	12G.3H.	3
	----		WASHER, PLAIN 3/8"	12G.3H.	3
	380-06		WASHER, LOCK 3/8"	12G.3H.	3
1807-29	532289		STRIP, GRILLE BAR COVER (INCL. IN AC-2202 KIT).	12G.3H.	1

NOTE { * - USE AS REQUIRED.

1807 SHOCK ABSORBERS, BUMPERS AND GUARDS

ILLUST. NUMBER	PART NUMBER	CHANGE	DESCRIPTION	MODELS	PER CAR
1807- BUMPER GUARDS OR VERTICAL BUMPERS-Cont'd.					
(Plates 18-2,3,4)					
1807-31	533832W		GRILLE GUARD, RIGHT, FRONT BUMPER	14G.4H.	1
1807-32	533833W		GRILLE GUARD, LEFT, FRONT BUMPER.	14G.4H.	1
	263-07		NUT, FASTENING 7/16"-14.	14G.4H.	2
1807-35	533868P		PLATE, GRILLE GUARD	14G.4H.	2
	55-#12-8		BOLT, NO.12-24X1/2".	14G.4H.	6
	279-#12		NUT, NO.12-24	14G.4H.	6
	380-#12		WASHER, LOCK NO.12.	14G.4H.	6
1807-36	533834P		BRACE, PLATE AND FOG LAMP TO GRILLE GUARD	14G.4H.	2
	189-0410		BOLT, 1/4"-20X5/8"	14G.4H.	2
	251-04		NUT, HEX. 1/4"-20	14G.4H.	2
	----		WASHER, PLAIN 1/4".	14G.4H.	2
	----		WASHER, LOCK 1/4"	14G.4H.	2
1809- WINGUARDS					
1809-1	527622		WINGUARD, FRONT RIGHT, REAR LEFT, } BUMPER. }	10G.H	2
1809-2	527623		WINGUARD, FRONT LEFT, REAR RIGHT, } BUMPER. }		
1809-1	532284		WINGUARD, RIGHT, FRONT BUMPER } INCLUDED IN	12G.3H.	1
1809-2	532285		WINGUARD, LEFT, FRONT BUMPER. } AC-2202 KIT	12G.3H.	1
1809-1	527623		WINGUARD, RIGHT, REAR BUMPER. } INCLUDED IN	12G.3H.	1
1809-2	527622		WINGUARD, LEFT, REAR BUMPER . } AC-2138 KIT	12G.3H.	1
1809-1	533808W		WINGUARD, RIGHT, FRONT BUMPER } INCLUDED IN	14G.4H.	1
1809-2	533809W		WINGUARD, LEFT, FRONT BUMPER. } AC-2322	14G.4H.	1
1809-1	534076W		WINGUARD, RIGHT, REAR BUMPER - W-F-Y } INCLUDED IN	14G.4H.	1
1809-2	534077W		WINGUARD, LEFT, REAR BUMPER - W-F-Y } AC-2326	14G.4H.	1
1809-1	534444W		WINGUARD, RIGHT, REAR BUMPER - C-K } INCLUDED IN	14G.4H.	1
1809-2	534445W		WINGUARD, LEFT, REAR BUMPER - C-K } AC-2327	14G.4H.	1
	263-07		NUT, HEX. 7/16"-14 (FRONT OF WINGUARD)	14G.4H.	1
	263-06		NUT, HEX. 3/8"-16 (REAR OF WINGUARD).	14G.4H.	1
	361-07		WASHER, PLAIN 7/16".	14G.4H.	1
	----		WASHER, PLAIN 3/8"	14G.4H.	1
	534072		BOLT, TO BUMPER 3/8"-16X1" - INCLUDED IN AC-2326	14G.4H.	2
	251-06		NUT, HEX. 3/8"-16	14G.4H.	4
	----		WASHER, PLAIN 3/8" } INCLUDED IN	14G.4H.	4
	380-06		WASHER, LOCK 3/8" } AC-2326 AND AC-2327	14G.4H.	4
1809-7	527807		BRACKET, SPACER.	10G.H	4
	251-06		NUT, HEX. 3/8"-16.	10G.H	4
	361-06		WASHER, PLAIN 3/8" } AND AC-2202 KITS	10G.H	4

SHOCK ABSORBERS, BUMPERS AND GUARDS 1812

ILLUST. NUMBER	PART NUMBER	CHANGE	DESCRIPTION	MODELS	PER CAR
1812- TOOLS					
519127			PUMP, TIRE (EXPORT)	10G. 12G. H. 3H.	1
664292			PUMP, TIRE (EXPORT)	14G. 4H.	1
181364			GUN, GREASE (EXPORT).	10G. 12G. 14G. H. 3H. 4H	1
530951			JACK LESS BASE (MUST BE USED WITH 533295 BASE).	10G. 12G. 14G. H. 3H. 4H	1
			1812-5	1812-6	
1812-5	533295		JACK BASE	10G. 12G. 14G. H. 3H. 4H	1
1812-6	533292		JACK BASE	14G. 4H.	1
299057P			SUPPORT, JACK	14G. 4H.	1
----			BOLT, CARRIAGE 7/16"-14X1/2"	14G. 4H.	1
295-07			WINGNUT, 7/16"-14	14G. 4H.	1
----			SPEEDNUT, 7/16"	14G. 4H.	1
361-07			WASHER, PLAIN 7/16"	14G. 4H.	1